

faucets

SPINDLES/BASE

200 SERIES

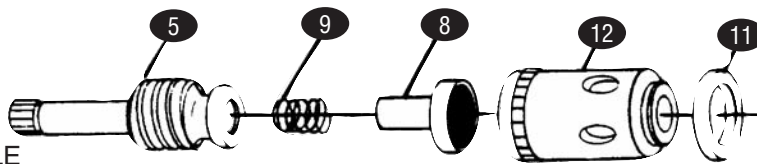
HAGAR



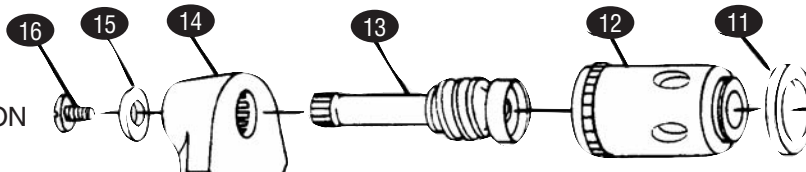
NOTE: Right-Hand Spindle Assemblies (Hot Side) are used on the Cold Side only when Four-Arm, Carolina and Alpine Handles are specified.



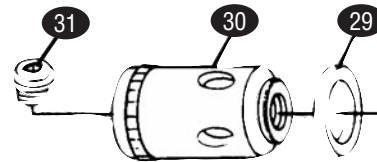
INSERT W/SPRING CHECK (HOT SPINDLE ASSEMBLY #2712-40)



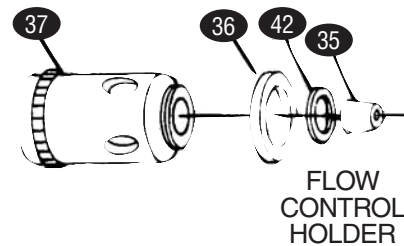
STANDARD COMPRESSION UNIT (HOT SPINDLE ASSEMBLY #2714-40)



INSERT WITH REMOVABLE SFAT

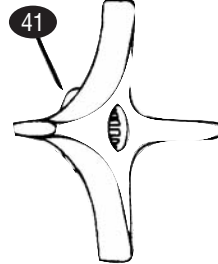


INSERT WITH FLOW CONTROL

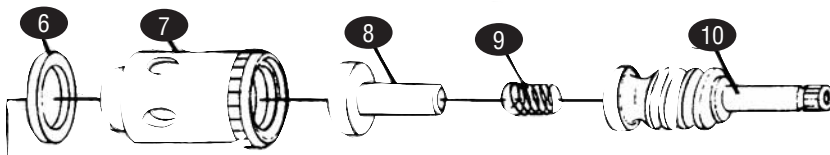
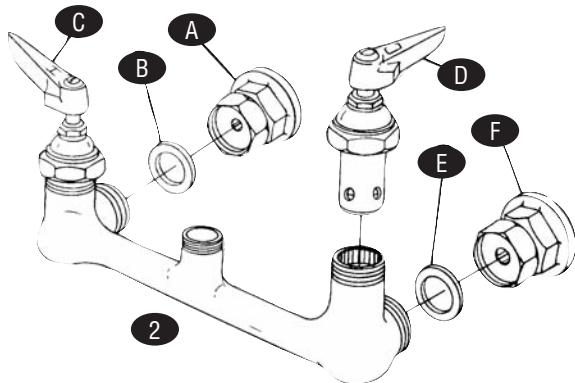


FLOW CONTROL HOLDER

FAUCET BODY

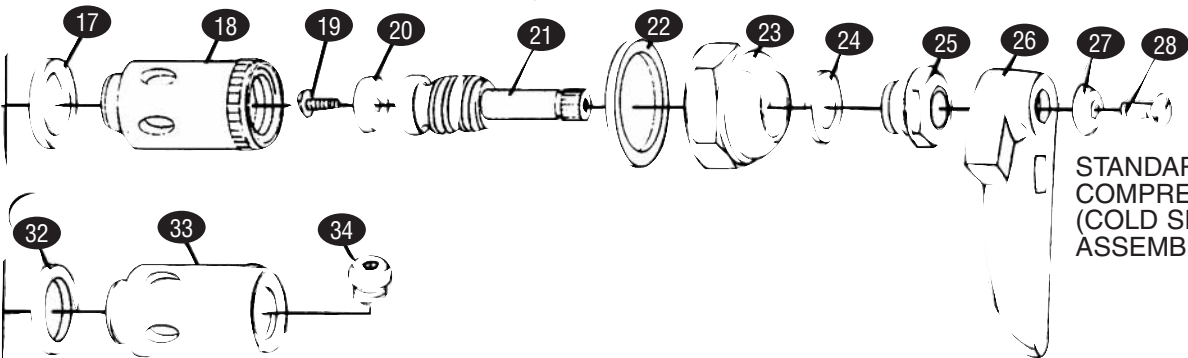


KEY	PART #	DESCRIPTION	KEY	PART #	DESCRIPTION
1	TSB-225LN	Faucet, 4" Deck Mount	14	TS1637-45	Lever Handle, Hot
2	TSB-230LN	Faucet, 8" Wall Mount	15	TS1661-45	Index Button, Hot
n/s	TSB-220LN	Faucet, 8" Deck Mount	16	TS922-45	Handle Screw
5	TS1907-25	Spindle, Hot	17	TS1022-45	Bottom Gasket
6	TS1022-45	Bottom Gasket	18	TS789-20	Removable Insert, Cold, 66L
7	TS789-20	Removable Insert	19	TS933-45	Seat Screw
8	TS3164-45	Seat	20	TS1092-45	Seat Washer
9	TS1479-45	Spring	21	TS812-25	Spindle, Cold, LH
10	TS1908-25	Spindle, Cold	22	TS2601-45	Top Gasket
11	TS1022-45	Bottom Gasket	23	TS607-40	Bonnet
12	TS788-20	Removable Insert, Hot 64L	24	TS1098-45	Packing
13	TS811-25	Spindle, Hot			
					<i>items continue on the next page</i>

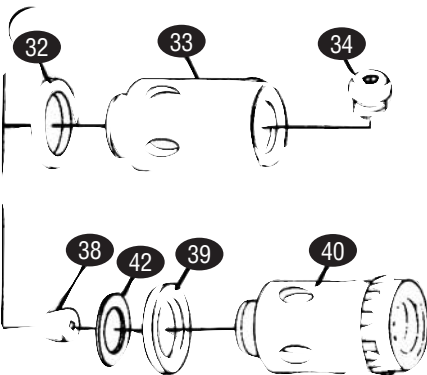


INSERT W/SPRING
CHECK (COLD SPINDLE
ASSEMBLY #2711-40)

FAUCET BODY



STANDARD
COMPRESSION UNIT
(COLD SPINDLE
ASSEMBLY #2713-40)



KEY	PART #	DESCRIPTION	KEY	PART #	DESCRIPTION
25	TS718-25	Packing Nut	37	TS2613-45	Removable Insert
26	TS1636-45	Lever Handle, Cold	38	varies	Flow Control Tower
27	TS1660-45	Index Button, Cold	39	TS1022-45	Bottom Gasket
28	TS922-45	Handle Screw	40	TS2614-45	Removable Insert
29	TS1022-45	Bottom Gasket	41	TS2521-45	Handle, 4-Arm
30	TS792-20	Removable Insert	42	TS1648-45	Flow-Control Holder
31	TS763-20	Removable Seat, Brass	A	TS2893-40	Coupling Flange (incl. #B)
32	TS1022-45	Bottom Gasket	B	TS1019-45	Washer
33	TS793-20	Removable Insert	C	TS2714-40	Hot Spindle Assembly (incl. #15, 41 & Scew)
34	TS763-20	Removable Seat, Brass	D	TS2713-40	Cold Spindle Assembly (incl. #15, 41 & Scew)
35	varies	Flow Control Tower	E	TS1019-45	Washer
36	TS1022-45	Bottom Gasket	F	TS2893-40	Coupling Flange