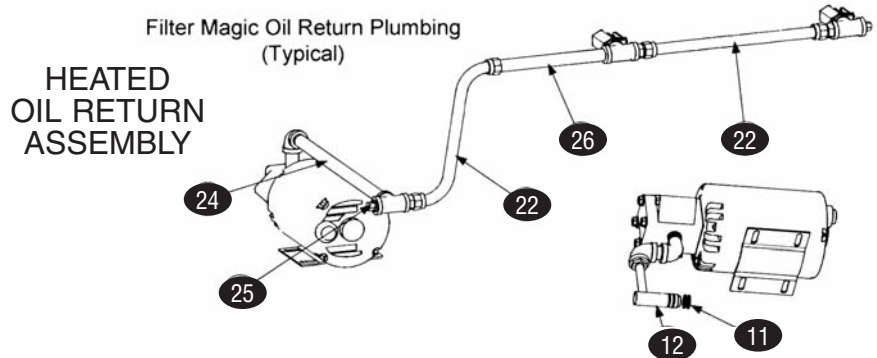
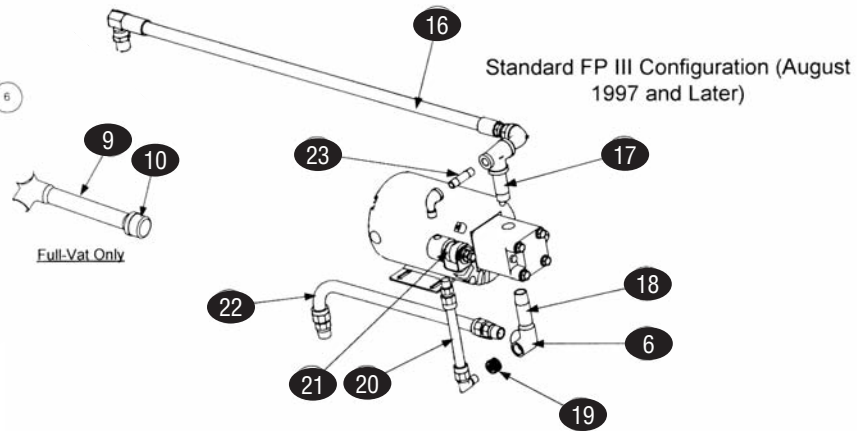
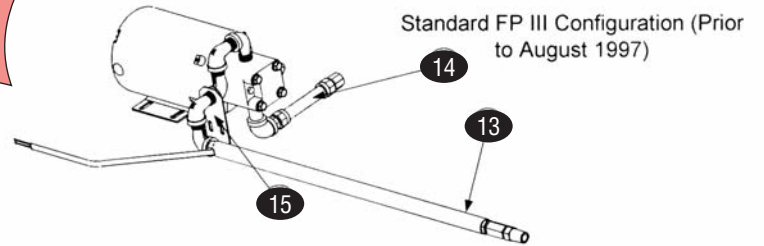
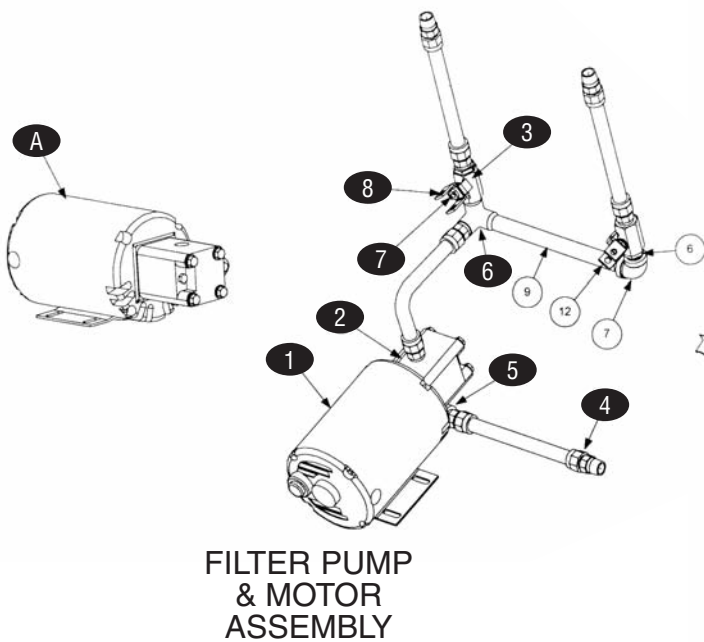


COOKING

H17 - FILTER PUMP & MOTOR

FRYERS



KEY	PART #	DESCRIPTION	KEY	PART #	DESCRIPTION
A		Pump & Motor Assembly	14	FM810-1159	Flex Line, Oil Return, 19cm or 7-1/2"
1	FM826-1270	Motor & Gasket Kit, 230V-250V, 50/60Hz	15	FM900-1958	Support, Oil Return
n/s	FM826-1756	Motor & Gasket Kit, 208V, 50/60Hz	16	FM810-1404	Flex Line, Oil Return, Pump to Rear Manifold
n/s	FM826-1712	Motor & Gasket Kit, 100V-115V, 60Hz	17	FM813-0265	Nipple, 1/2"x2-1/2"
2	FM826-1264	Pump Kit & Gasket	18	FM813-0460	Nipple, 1/2"x3"
n/s	FM807-1995	Pump, Viking, 4GPM	19	FM813-0304	Bushing, Reducer, 1/2" to 1/4"
n/s	FM809-0514	Cap Screw, Hex Head, 5/16"-18	20	FM810-1373	Flex Line, Pump Bypass
n/s	FM809-0194	Washer, Flat, 5/16"	21	FM807-2484	Valve, Solenoid Vent
n/s	FM816-0093	Gasket, Pump & Motor	22	FM810-1057	Flex Line, Oil Return, 39.4cm or 15-1/2"
3	FM810-0278	Gemini Valve, w/out Handle	23	FM813-0537	Nipple, 1/4"x2"
4	FM810-1067	Flex Line, Oil Return, 11"	24	FM813-0368	Nipple, 1/2"x16"
5	FM813-0165	Elbow, Street, 90°, 1/2"x1/2"	25	FM813-0156	Plug, Pipe, 1/2"
6	FM813-0331	Elbow, w/Side Outlet, 1/2"	26	FM813-0275	Nipple, 1/2"x9"
7	FM900-2935	Retainer Nut, Oil Return Valve	n/s	FM816-0102	Grommet, Disconnect Fitting
8	FM902-2772	Valve Handle, Rear Flush, Right	n/s	FM900-1472	Diverter, Oil
9	FM813-0098	Nipple, 1/2"x6-1/2"	n/s	FM910-1627	Bracket, Fitting Support, Disconnect
10	FM813-0469	Pipe Cap, 1/2"	n/s	FM826-1668	Kit, Heater Tape Replacement, 100-120V
11	FM826-1392	O-Ring, (2 required) pkg of 5	n/s	FM826-1669	Kit, Heater Tape Replacement, 108-250V
12	FM823-1356	Fitting, Disconnect	n/s	FM811-0746	Tape, Aluminum, 50yds
13	FM810-0945	Hose, Heated Oil Return, 120VAC	n/s	FM811-0681	Tape, Foam
	FM810-1037	Hose, Heated Oil Return, 208-250VAC	n/s	FM811-0208	Insulation, Spaghetti