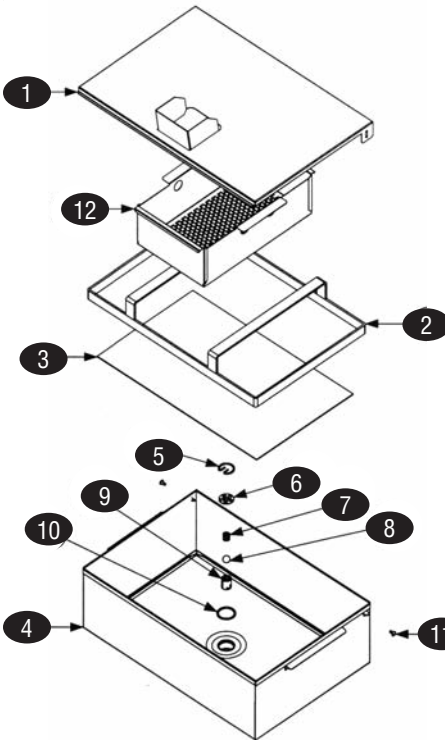


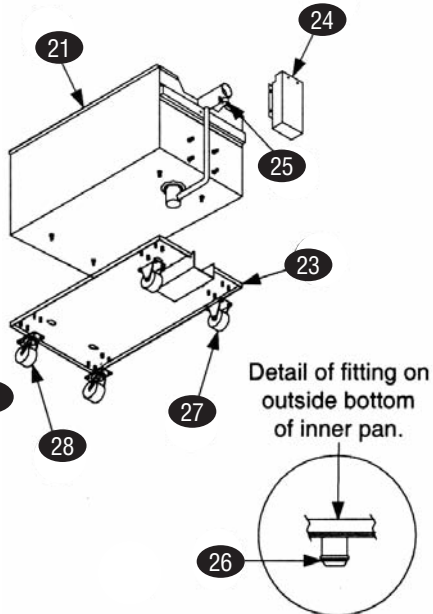
COOKING

H50 - FILTRATION SYSTEMS

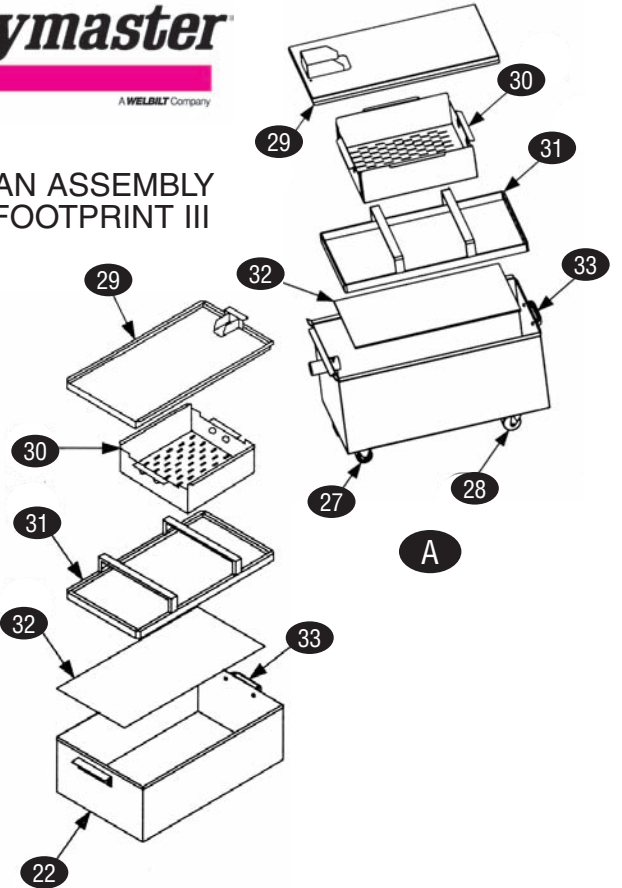
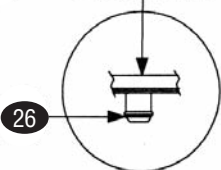
FRYERS



FOOTPRINT III
FILTER PAN ASSEMBLY



Detail of fitting on
outside bottom
of inner pan.



FILTER PAN ASSEMBLY
SINGLE FOOTPRINT III

KEY	PART #	DESCRIPTION	KEY	PART #	DESCRIPTION
		- FOOTPRINT III -			
1	FM823-2027	Cover, 14"x22"x1/2"	23	FM823-1361	Base, Filter Pan Assembly
2	FM810-1408	Hold Down Ring, 13-3/4"x20-5/8"	24	FM824-0291	Cover, Suction Tube
3	FM810-3559	SanaGrid Filter Screen, 12"x19-1/2"	25	FM910-1350	Clamp, Suction Tube
4	FM823-1979SP	Pan, Filter	26	FM816-0117	O-Ring, Inner Pan, .6090D
5	FM810-1387	Retainer, Check Valve	n/s	FM806-4373	Heater Strip Assembly, 24V, 25W, 18"
6	FM900-5448	Strain Plate, Check Valve	n/s	FM811-0861	Insulation, Foam #9812
7	FM810-0946	Spring, Check Valve	n/s	FM811-0746	Tape, Aluminum, 50yard/46m roll
8	FM810-0948	Ball, Check Valve			- Components Used on Both Designs -
9	FM810-1388	Tube, Check Valve	27	FM810-2807	Caster, Rigid
10	FM816-0597	O-Ring, Filter Pan, pkg of 6	28	FM810-2805	Caster, Swivel
11	FM809-0422	Screw, Shoulder	29	FM823-1930	Cover, Drain Pan
12	FM824-0430	Crumb Screen, 13-1/2"x8-1/4"	30	FM824-0416	Crumb Screen, 13"x11-1/2"
n/s	H70086	Paper, Filter	31	FM810-1406	Hold Down Ring Assembly, 11"-1/4"x21"
n/s	RPDE25	Powder, Filter	32	FM900-8827	Filter Screen, 10"x19"
	FM826-1490	Kit, Check Valve, FP III	33	FM810-0180	Handle, Filter Pan
		- FILTER PAN ASSY SINGLE FOOTPRINT III -	n/s	H70086	Paper, Filter
A	FM806-9255SP	One-Piece Filter Pan Assembly, used after 02-99, #7,8,11, & 12	n/s	RPDE25	Powder, Filter
B	FM806-6093SP	Two-Piece Pan Assembly, Complete			
21	FM823-1360SP	Outer Pan, for complete Assembly (#1 & 3-8) use 806-4338SP			
22	FM823-1731SP	Inner Pan, for complete Assembly (#2 & 11-13) use 806-5282SP			
				FM806-5618SP	Pan Assembly, Complete, FPIII, contains #1-11