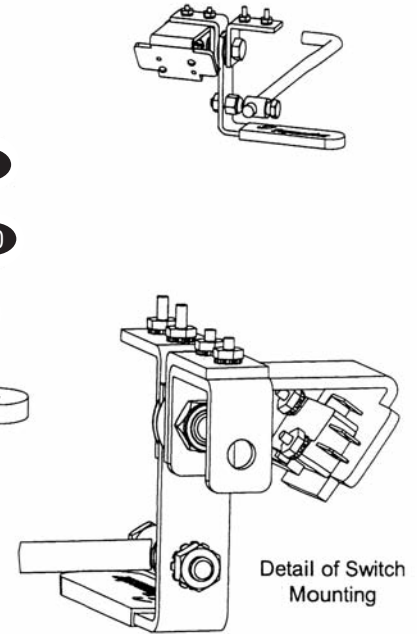
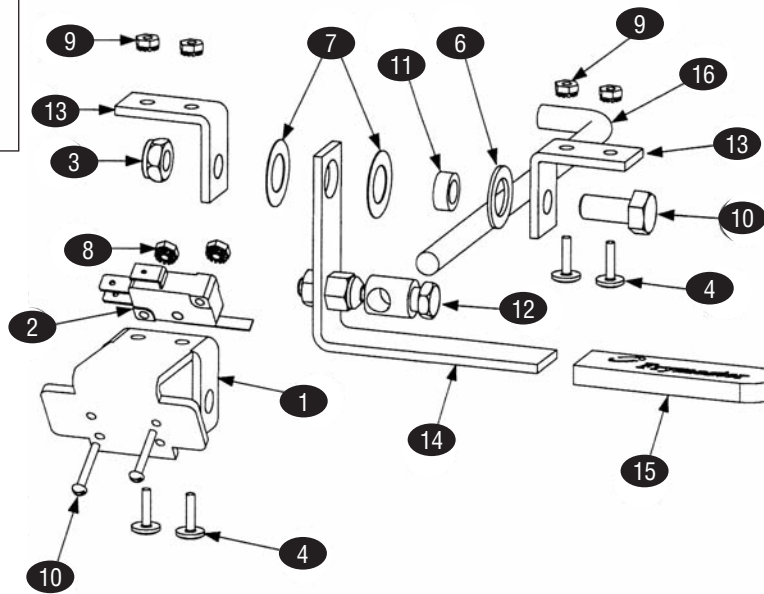




#### HANDLE ASSEMBLIES



Handle and switch assembly is shown in right-hand configuration

KEY	PART #	DESCRIPTION	KEY	PART #	DESCRIPTION
1	FM200-0821	Bracket, Handler, and Microswitch			
2	FM807-2103	Microswitch, Lever Type			
3	FM809-0056	Nut, 5/16-24, Hex Head, Nylon Lock			
4	FM809-0103	Screw, 8-32X1/2" Slotted Truss Head			
5	FM809-0142	Screw, 5/16-24X3/4" Hex Head			
6	FM809-0200	Washer, Flat			
7	FM826-1381	Washer, Nylatron			
8	FM826-1366	Nut, Hex Keps, #4-40			
9	FM809-0247	Nut, Hex Keps, #8-32			
10	FM826-1359	Screw, Slot Head, 4-40X3/4"			
11	FM810-0220	Spacer, Tubular, .4930D			
12	FM810-0285	Swivel Fitting, Oil Return Valve Linkage			
13	FM810-1999	Bracket, Valve Handle			
14	FM920-0831	Handle, Oil Return			
15	FM814-0047	Sleeve, Handle			
16	FM910-0832	Rod, Oil Return Valve			