

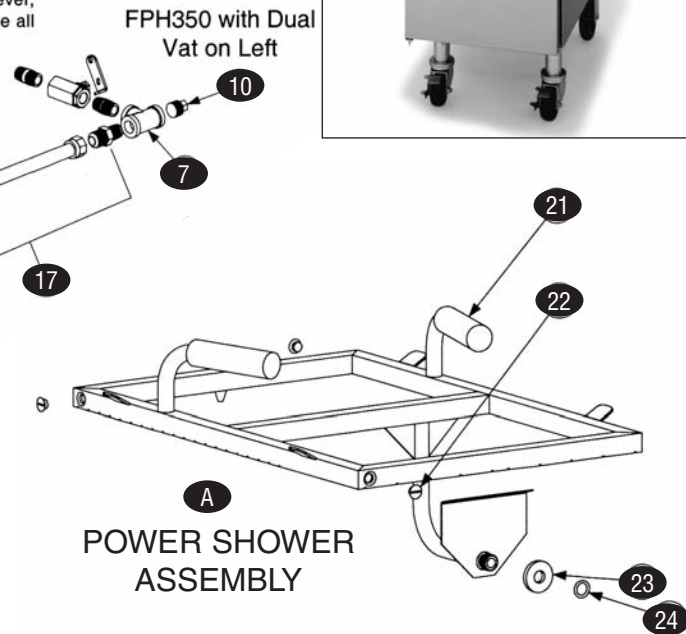
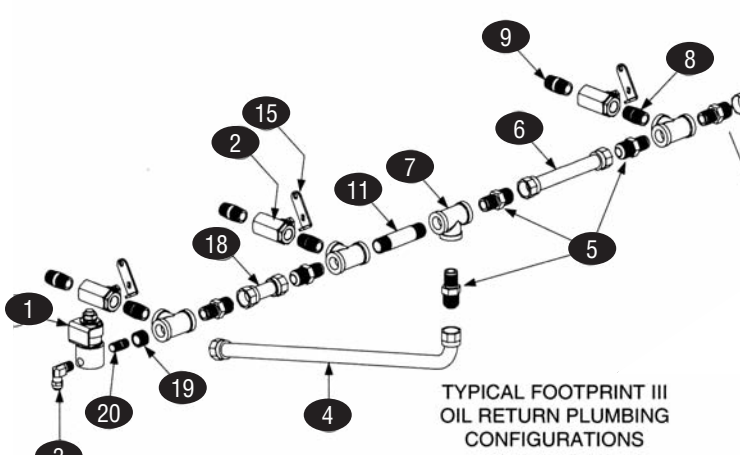
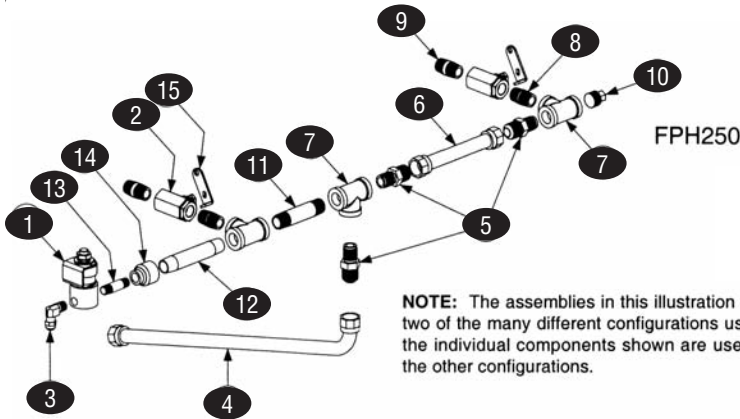
# Cooling

## H50 - POWER SHOWER & OIL RETURN

# HAGAR

### FRYERS

**Frymaster**  
A WELBILT Company



KEY	PART #	DESCRIPTION	KEY	PART #	DESCRIPTION	
1	FM807-2484	Valve, Solenoid, 1/4", 24V			<b>NOTE:</b> Items below may also be used in some specially configured Units. When ordering a Flexline, we recommend that the line be measured (outside to outside of Flare Fittings) ensuring correct item is ordered.	
2	FM810-0278	Valve, Oil Return, 1/2"				
3	FM810-1372	Fitting, 1/4" NPT x 90°				
4	FM810-1400	Flexline, Oil Return, 21"				
5	FM810-1668	Adapter, Male, 1/2" NPT, converts Female to Male	n/s	FM810-1160		Flexline, Oil Return, 3"
6	FM810-1680	Flexline, Oil Return, 6.5"	n/s	FM810-1339		Flexline, Oil Return, 4.5"
7	FM813-0003	Tee, 1/2" NPT	n/s	FM810-1159		Flexline, Oil Return, 5"
8	FM813-0022	Nipple, 1/2" NPT x Close	n/s	FM810-1067		Flexline, Oil Return, 8.5"
9	FM813-0087	Nipple, 1/2" NPT x 1.5"	n/s	FM810-1043		Flexline, Oil Return, 9.5"
10	FM813-0156	Plug, 1/2" NPT	n/s	FM810-1055		Flexline, Oil Return, 11.5"
11	FM813-0247	Nipple, 1/2" NPT x 3.5"	n/s	FM810-1369		Flexline, Oil Return, 17.5"
12	FM813-0251	Nipple, 1/2" NPT x 4.5"	n/s	FM810-1068		Flexline, Oil Return, 21.5"
13	FM813-0537	Nipple, 1/4" NPT x 2"	n/s	FM810-1069		Flexline, Oil Return, 29.5"
14	FM813-0555	Reducer, 1/2" to 1/4" NPT	n/s	FM810-1056		Flexline, Oil Return, 52.5"
15	FM902-0883	Handle, Right Oil Return Valve	n/s	FM810-1669		Adapter, Female, 1/2" NPT, converts Male to Female
16	FM810-1057	Flexline, Oil Return, 13.0"	n/s	FM901-0883		Handle, Left Oil Return Valve, mirror of #15
17	FM806-9437SP	Flexline Assy, Oil Return, 15.5", 2 of #5 plus #16	A	FM806-4442SP		Power Shower Assy, Complete, Full Vat
18	FM810-1160	Flexline, Oil Return, 3.0"	21	FM814-0001		Grip, Handle
19	FM813-0304	Reducer, Bushing, 1/2" to 3/4" NPT	22	FM809-0415		Screw, Clean Out
20	FM813-0016	Nipple, 1/4" NPTxClose	23	FM826-1390		Seal, Gasket, pkg of 5
			24	FM826-1344	O-Ring, pkg of 5	