

refrigeration

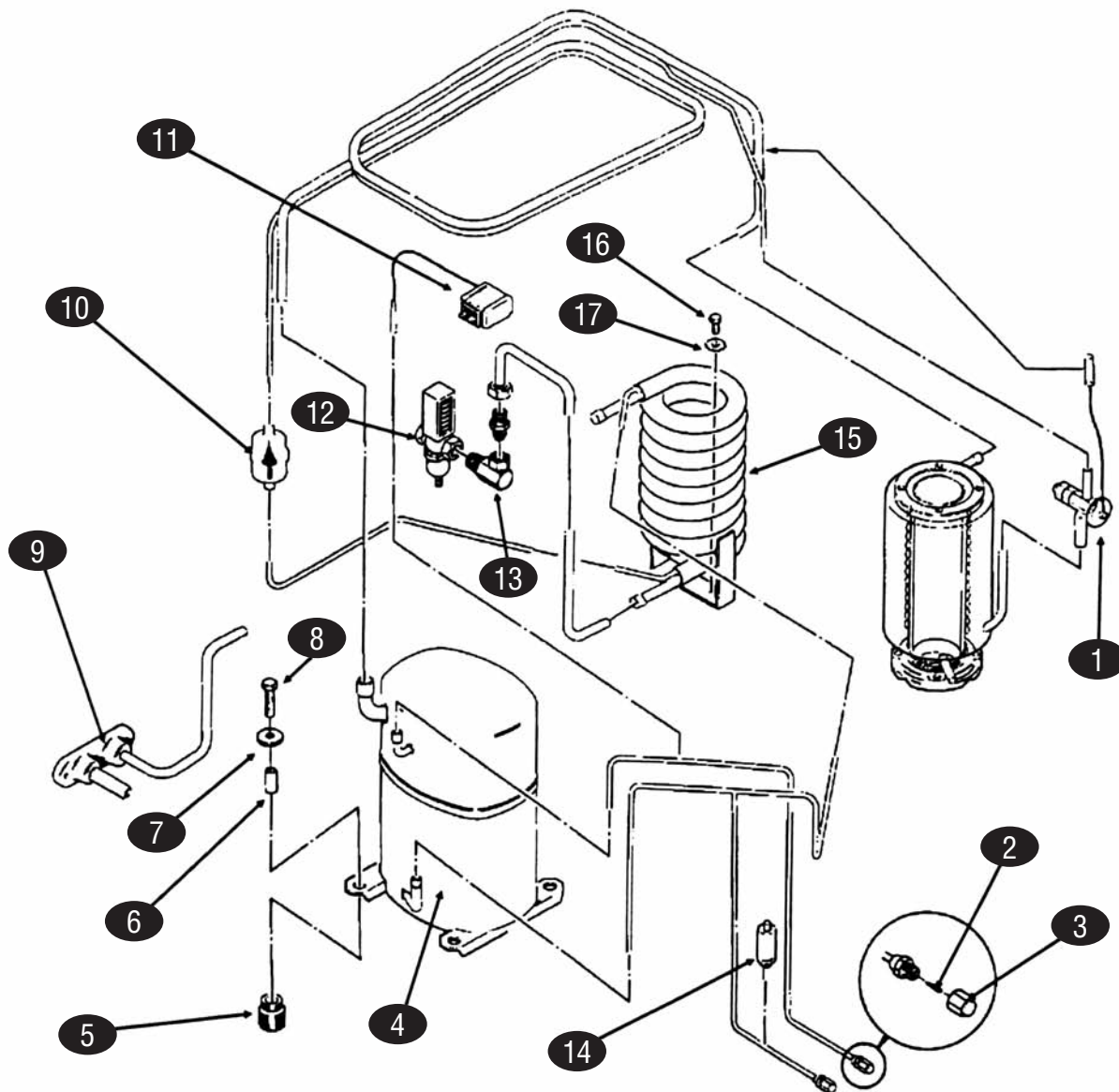
MODEL #NM1250

HAGAR

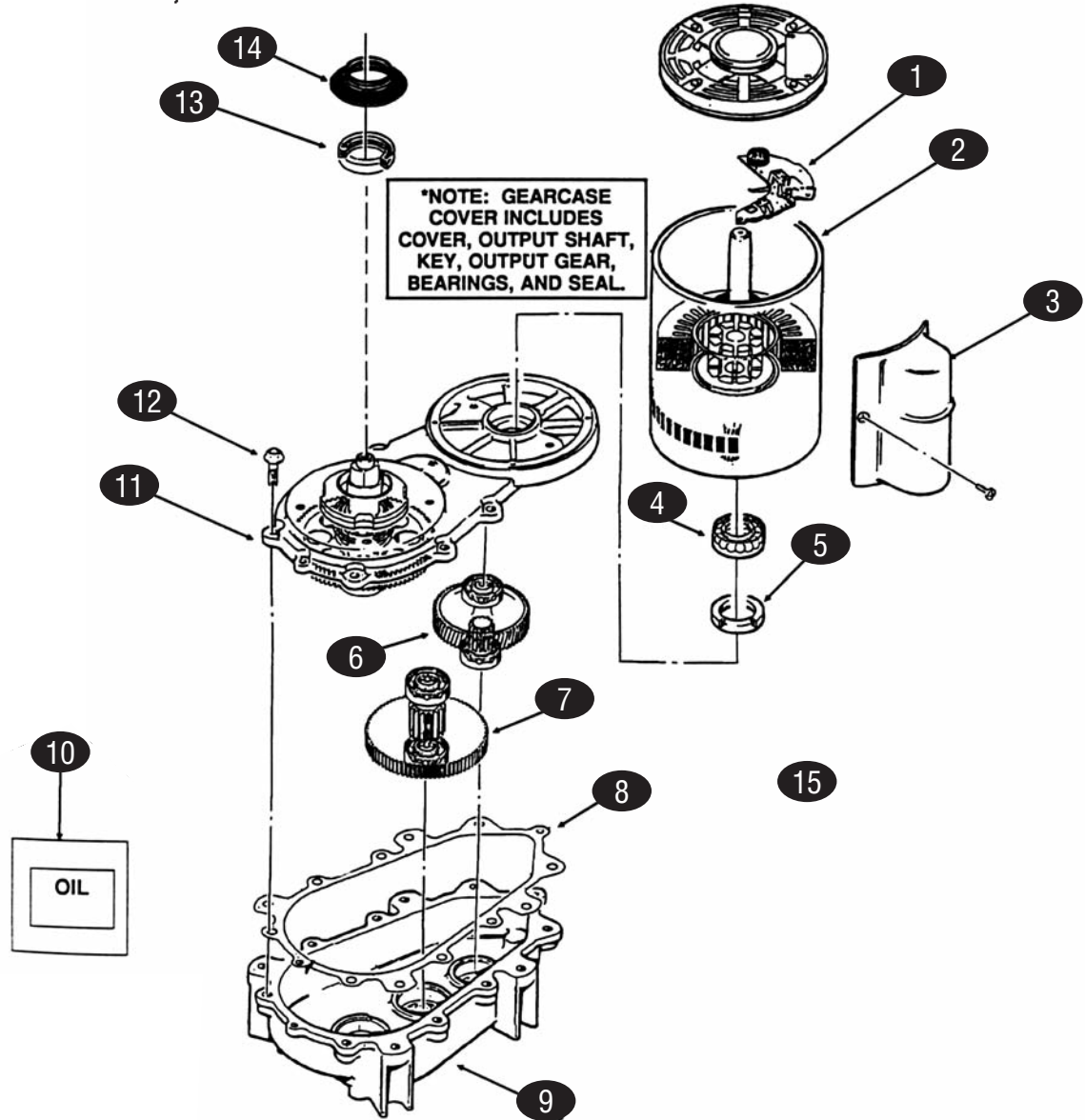
WATER COOLED UNITS

SCOTSMAN

Ice Systems The World Relies On.™



KEY	PART #	DESCRIPTION	KEY	PART #	DESCRIPTION
1	SCT16-0780-01	Thermo Expansion Valve	15	SCT18-6900-01	Condenser, Water Cooled
2	SCT16-0560-00	Valve Core	16	SCT03-1645-01	Screw
3	SCT16-0563-00	Valve Cap	17	SCT03-1417-09	Washer
4	SCT18-5900-03	Compressor, 208-230/60/3			
	SCT18-5900-02	Compressor, 208-230/60/1			
5	SCT18-6800-01	Grommet			
6	SCT18-2300-26	Sleeve			
7	SCT03-1407-07	Washer			
8	SCT03-1405-20	Bolt			
9	SCTA32892-001	Drain			
10	SCT02-2426-02	Dryer			
11	SCT11-0447-20	Low Pressure Control			
12	SCT11-0424-01	Water Regulation Valve			
13	SCT16-0401-02	Elbow			
14	SCT11-0446-21	Pressure Control			



KEY	PART #	DESCRIPTION	KEY	PART #	DESCRIPTION
1	SCTA32898-020	Centrifugal Switch	15	SCTA33220-022	Complete Assembly, 208-230V
2	SCT12-2430-22	Drive Motor, 208-230V			
3	SCTA32898-031	Capacitor			
4	SCTA32898-030	Rotor Bearing			
5	SCTA32379-028	Seal, Motor Shaft			
6	SCTA32379-024	1st Gear & Bearings			
7	SCTA32379-023	2nd Gear & Bearings			
8	SCTA32379-021	Gasket			
9	SCTA32379-020	Gearcase			
10	SCTA32379-027	Oil, 1 Container			
11	SCTA32379-022	Gearcase Cover, kit includes cover, output shaft & output gear, key, bearings & seal			
12	SCTA32379-026	Bolt			
13	SCTA32379-029	Seal, Output			
14	SCT13-0868-01	Water Shed			

refrigeration

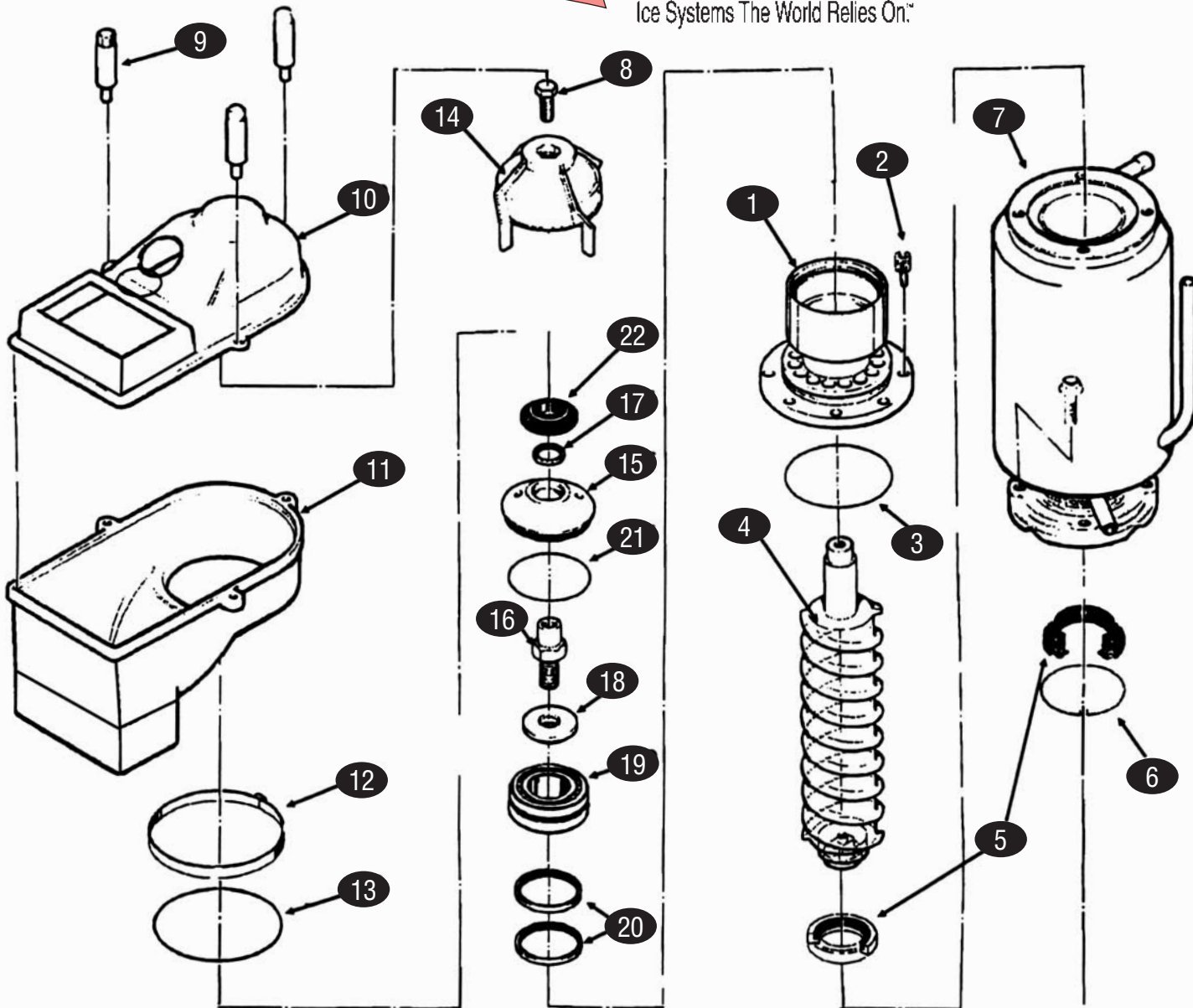
MODEL #NM1250, cont.

HAGAR

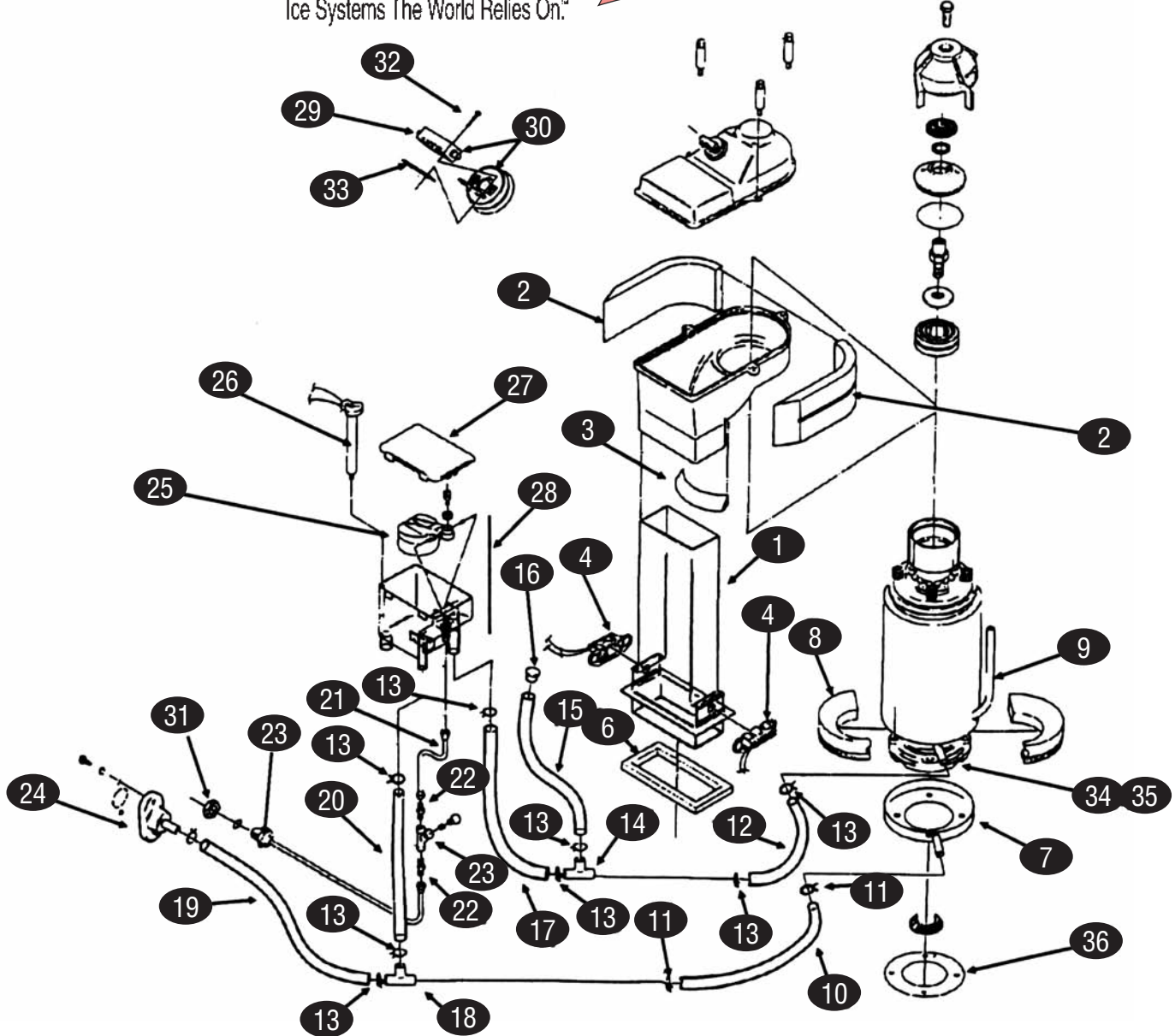
EVAPORATOR

SCOTSMAN

Ice Systems The World Relies On.™



KEY	PART #	DESCRIPTION	KEY	PART #	DESCRIPTION
1	SCTA32900-020	Breaker, (incl #19 & #20 below right)	16	SCT08-0653-01	Auger Stud
2	SCT03-1544-08	Socket Head Screw	17	SCT02-2978-01	Lip Seal
3	SCT13-0617-45	O-Ring	18	SCT08-0654-01	Thrust Washer
4	SCT02-3003-01	Auger	19	SCTA34559-020	Bearing
5	SCT02-0929-02	Water Seal	20	SCT02-2977-01	Lip Seal
6	SCTA32777-001	Ring, Water Seal	21	SCT13-0617-54	O-Ring
7	SCTA32890-020	Evaporator	22	SCT13-0871-01	Water Shed
8	SCT03-1405-52	Hex Cap Screw			
9	SCT02-2933-01	Hex Stud			
10	SCT02-2930-01	Ice Chute Cover			
11	SCT02-2926-01	Ice Chute Body			
12	SCTA32905-001	Clamp			
13	SCT13-0617-52	O-Ring			
14	SCT02-3001-01	Ice Sweep			
15	SCT08-0650-01	Breaker Cover			



KEY	PART #	DESCRIPTION	KEY	PART #	DESCRIPTION
	1	SCT02-2929-01 Ice Chute, Lower	19	SCT13-0079-03	Tube, 18", order by the foot
	2	SCTA32963-001 Insulation Collar, Top	20	SCT13-0079-03	Tube, 11", order by the foot
	3	SCTA33102-001 Insulation Collar, Inside	21	SCTA32748-001	Tube
n/s	SCTA33210-001	Rubber Band	22	SCT16-0791-01	Coupling Union
4	SCTA37708-021	LED & Phototransistor Assembly, Set of 2	23	SCTA32878-001	Inlet Water Tube
6	SCTA32930-001	Chute Gasket	24	SCTA32282-004	Drain Casting, Air Cooled
7	SCTA32050-001	Drip Pan		SCTA32292-001	Drain Casting, Water Cooled
8	SCTA32962-001	Insulation Collar, Bottom	25	SCTA32907-001	Float Assembly w/Pin, Seals, Insert & Float
9	SCTA32962-002	Insulation Collar, Bottom Side	26	SCTA33101-022	Thermo Probe
10	SCT13-0079-03	Hose, 3.3", order by the foot	27	SCT02-2936-01	Reservoir Cover
11	SCT02-0538-00	Hose Clamp	28	SCTA32929-020	Reservoir Assembly, Complete, incl #4 & #5 above
12	SCTA33203-001	Preformed Hose	31	SCT03-1394-01	Pal Nut
13	SCT02-2814-08	Hose Clamp	32	SCT03-1403-09	Screw
14	SCT16-0670-01	Tee	33	SCT03-1394-01	Speed Nut
15	SCT13-0674-06	Evaporator Inlet Tube, 14", order by the foot	34	SCT03-1420-03	Stud, Evaporator to Gear Motor
16	SCTA33205-001	Plug	35	SCT03-1417-13	Lock Washer
17	SCT13-0674-06	Tube, 9", order by the foot	36	SCT13-0704-00	Drip Pan Gasket
18	SCT16-0670-02	Tee			