

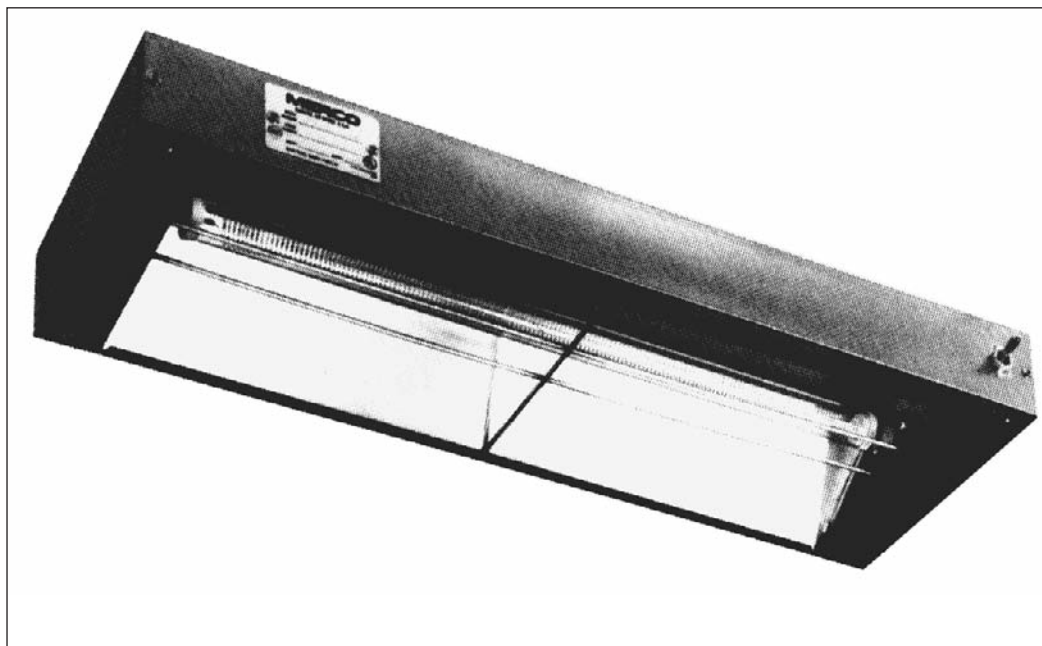
warming

HEAT LAMPS

OVERHEAD WARMER

HAGAR

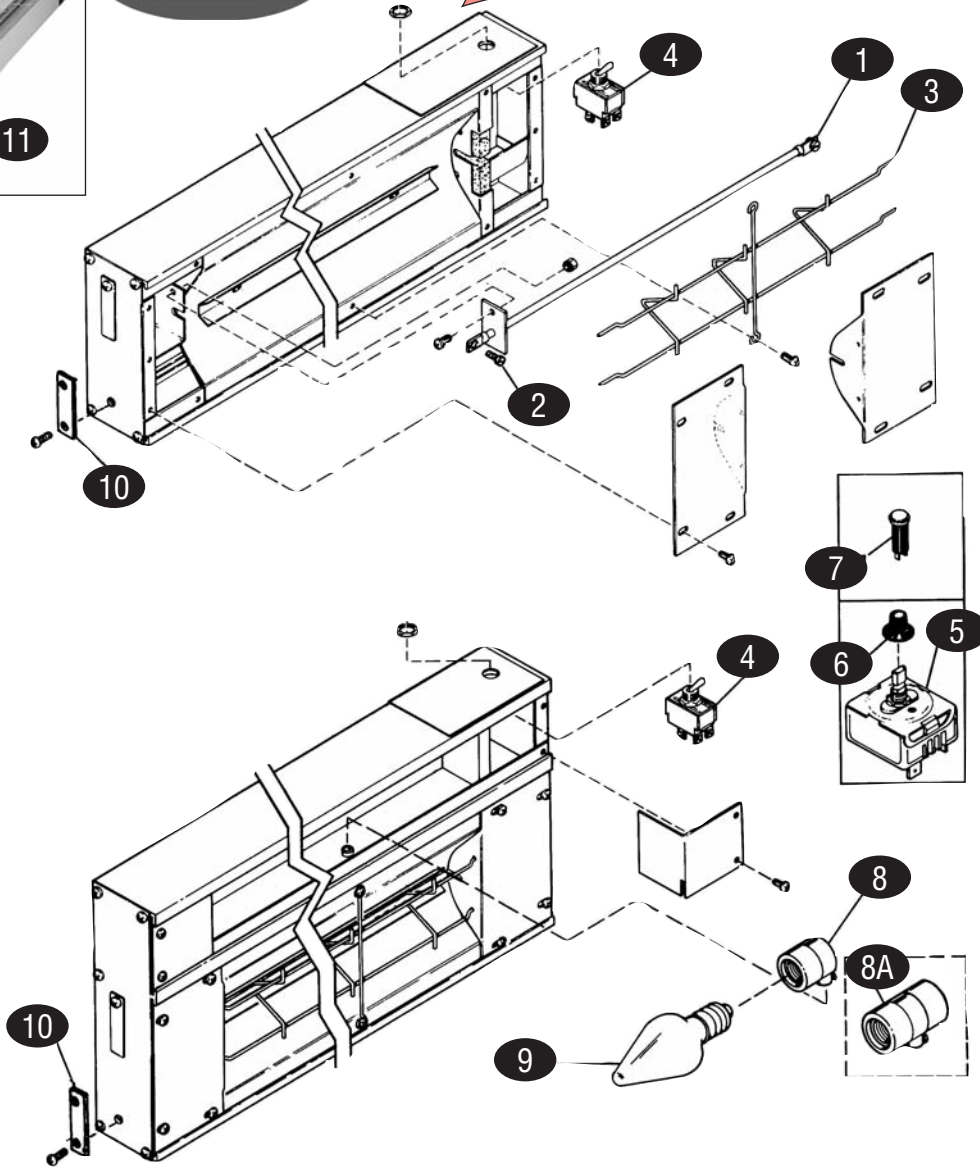
Merco



We stock
a **full line** of Merco parts
for your convenience. Call
our knowledgeable sales staff for
assistance in part replacement.
Please have model & serial
ready.

| KEY | PART # | DESCRIPTION | KEY | PART # | DESCRIPTION |
|-----|----------------|--|-----|----------------|---|
| 1 | ME000672 | EZ Socket w/out Sleeve for X models 36" & up | | <u>ELEMENT</u> | <u>MODEL#</u> <u>VOLTAGE</u> <u>WATTAGE</u> |
| 2 | ME050026 | EZ Socket w/Sleeve | | ME110665 | EZTM-48 120V 1100W |
| 3 | ME050027 | Power Cord | | ME110666 | EZTM-18 120V 550W |
| 4 | ME000715 | On/Off Switch, 120V Tested | | ME110674 | HWEZTM-24 120V 825W |
| 5 | ME000370 | Light Bulb, Shatter Resistant, 120V, 40W | | ME110677 | HWEZTM-48 120V 1360W |
| 6 | see below | Element | | ME110949 | HWEZT-24 120V 825W |
| | <u>ELEMENT</u> | <u>MODEL#</u> <u>VOLTAGE</u> <u>WATTAGE</u> | | ME110950 | HWEZT-18 120V 680W |
| | ME110649 | EZT-18 120V 550W | | ME110952 | HWEZT-30 120V 825W |
| | ME110650 | EZT-24 120V 680W | | | |
| | ME110653 | EZT-30 120V 750W | | | |
| | ME110655 | EZT-36 120V 825W | | | |
| | ME110657 | EZT-48 120V 1100W | | | |
| | ME110662 | EZTM-24 120V 680W | | | |
| | ME110663 | EZTM-30 120V 750W | | | |
| | ME110664 | EZTM-36 120V 825W | | | |

NOTE: Model# is based on overall length of Overhead Food Warmer.



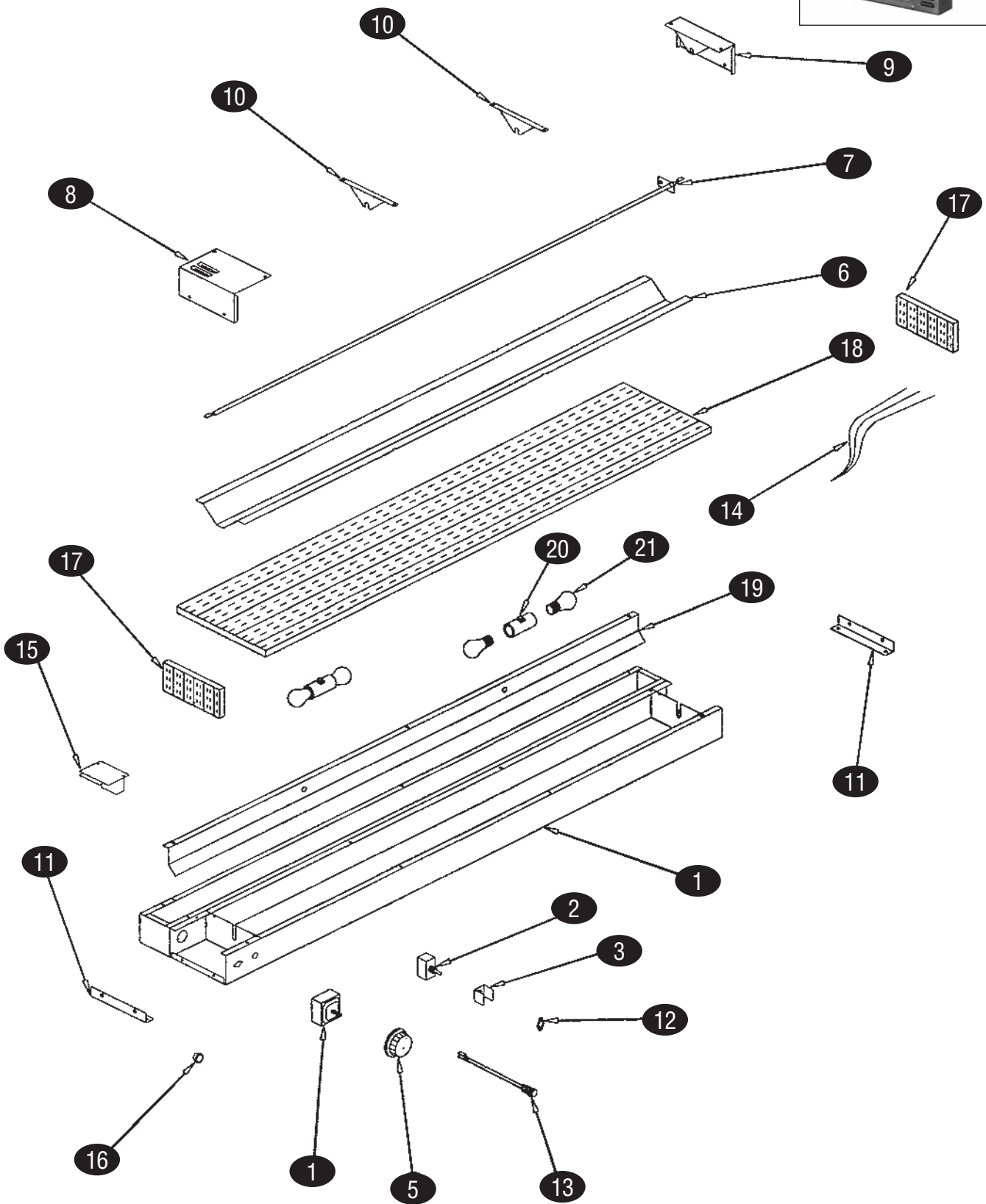
| KEY | PART # | DESCRIPTION | KEY | PART # | DESCRIPTION |
|-----|-------------|--|-----|--------|---|
| 1 | varies | Heating Elements (specify model# & voltage) | | | <p>NOTE: Complete units available upon request. Please ask for assistance when ordering.</p> |
| 2 | HA05-04-074 | Element Terminal Screws (included w/element) | | | |
| 3 | varies | Heating Element Guard (specify model#) | | | |
| 4 | HA02-19-008 | On/Off Toggle Switch | | | |
| 5 | HA02-19-017 | Infinite Control Switch (optional) 208V | | | |
| | HA02-19-018 | Infinite Control Switch (optional) 115V | | | |
| | HA02-19-019 | Infinite Control Switch (optional) 230V | | | |
| 6 | HA02-20-033 | Infinite Control Knob | | | |
| 7 | HA02-19-154 | Pilot Light (optional) 115V | | | |
| | HA02-19-151 | Pilot Light (optional) 208/230V | | | |
| 8 | HA02-30-044 | Lamp Holder, Single | | | |
| 8A | HA02-30-045 | Lamp Holder, Dual | | | |
| 9 | HA02-30-043 | Shatter Resistant Bulb, 120V, 60W | | | |
| 10 | HA04-08-042 | Housing Hanger Tabs | | | |
| n/s | FM910-8627 | Mounting Bracket for Frymaster Dump Station | | | |
| 11 | varies | Complete Unit | | | |

warming

OVERHEAD WARMER

HEAT LAMPS

HAGAR





| KEY | PART # | DESCRIPTION | KEY | PART # | DESCRIPTION |
|-----|----------|----------------------------|-----|----------|-------------------------------|
| 1 | APW55564 | Infinite Control 120V | | APW75867 | " 208V, 1050W |
| | APW87053 | Infinite Control 208/240V | | APW75810 | " 240V, 1610W |
| 2 | APW67005 | Toggle Switch | | APW75868 | " 240V, 1050W |
| 3 | APW76100 | Switch Guard | | APW75826 | FD-66 Element, 208V, 1800W |
| 5 | APW55817 | Knob | | APW75869 | " 208V, 1160W |
| 6 | APW76117 | Reflector, FD-18 | | APW75827 | " 240V, 1800W |
| | APW76118 | Reflector, FD-24 | | APW75870 | " 240V, 1160W |
| | APW76119 | Reflector, FD-30 | | APW75828 | FD-72 Element, 120V, 1500W |
| | APW76120 | Reflector, FD-36 | | APW75811 | " 208V, 1980W |
| | APW76121 | Reflector, FD-42 | | APW75871 | " 208V, 1275W |
| | APW76122 | Reflector, FD-48 | | APW75812 | " 240V, 1980W |
| | APW76123 | Reflector, FD-54 | | APW75872 | " 240V, 1275W |
| | APW76124 | Reflector, FD-60 | 8 | APW76104 | End Cover, RH Control |
| | APW76125 | Reflector, FD-66 | 9 | APW76802 | End Cover |
| | APW76126 | Reflector, FD-72 | 10 | APW76106 | Element Guard |
| 7 | APW75801 | FD-18 Element, 120V, 400W | 11 | APW76160 | Mounting Bracket |
| | APW75851 | " 120V, 250W | 12 | APW67003 | On-Off Plate |
| | APW75830 | " 240V, 400W | 13 | APW56530 | Indicator Light |
| | APW75874 | " 240V, 320W | 14 | varies | Wire Set (specify model #) |
| | APW75461 | FD-24 Element, 120V, 575W | 15 | APW76801 | End Cover, RH DL |
| | APW75852 | " 120V, 350W | 16 | APW89182 | Snap-in Bushing |
| | APW75814 | " 240V, 575W | 17 | APW76189 | Insulation, FD-18 thru FD72 |
| | APW75876 | " 240V, 350W | 18 | APW76190 | Insulation, FD-18 |
| | APW75802 | FD-30 Element, 120V, 760W | | APW76191 | " FD-24 |
| | APW75853 | " 120V, 450W | | APW76192 | " FD-30 |
| | APW75803 | FD-36 Element, 120V, 920W | | APW76193 | " FD-36 |
| | APW75854 | " 120V, 575W | | APW76194 | " FD-42 |
| | APW75804 | " 208V, 920W | | APW76195 | " FD-48 |
| | APW75855 | " 208V, 575W | | APW76196 | " FD-54 |
| | APW75805 | " 240V, 920W | | APW76197 | " FD-60 |
| | APW75856 | " 240V, 575W | | APW76198 | " FD-66 |
| | APW75819 | FD-42 Element, 120V, 1100W | | APW76199 | " FD-72 |
| | APW75857 | " 120V, 675W | 19 | APW76211 | Light Support Bracket, FDL-18 |
| | APW75821 | " 208V, 1100W | | APW76212 | " FDL-24 |
| | APW75858 | " 208V, 675W | | APW76213 | " FDL-30 |
| | APW75822 | " 240V, 1100W | | APW76214 | " FDL-36 |
| | APW75859 | " 240V, 675W | | APW76215 | " FDL-42 |
| | APW75806 | FD-48 Element, 120V, 1265W | | APW76216 | " FDL-48 |
| | APW75860 | " 120V, 800W | | APW76217 | " FDL-54 |
| | APW75807 | " 208V, 1265W | | APW76218 | " FDL-60 |
| | APW75861 | " 208V, 800W | | APW76219 | " FDL-66 |
| | APW75808 | " 240V, 1265W | | APW76220 | " FDL-72 |
| | APW75862 | " 240V, 800W | 20 | APW75917 | Twin Lamp Holder |
| | APW75823 | FD-54 Element, 120V, 1425W | 21 | APW75916 | Coated Light Bulb, 120V, 40W |
| | APW75863 | " 120V, 925W | | | |
| | APW75824 | " 208V, 1425W | | | |
| | APW75864 | " 208V, 925W | | | |
| | APW75825 | " 240V, 1425W | | | |
| | APW75865 | " 240V, 925W | | | |
| | APW75817 | FD-60 Element, 120V, 1610W | | | |
| | APW75866 | " 120V, 1050W | | | |
| | APW75809 | " 208V, 1610W | | | |

NOTE: Complete Overhead Warmer units are available upon request. Please ask for assistance when ordering.