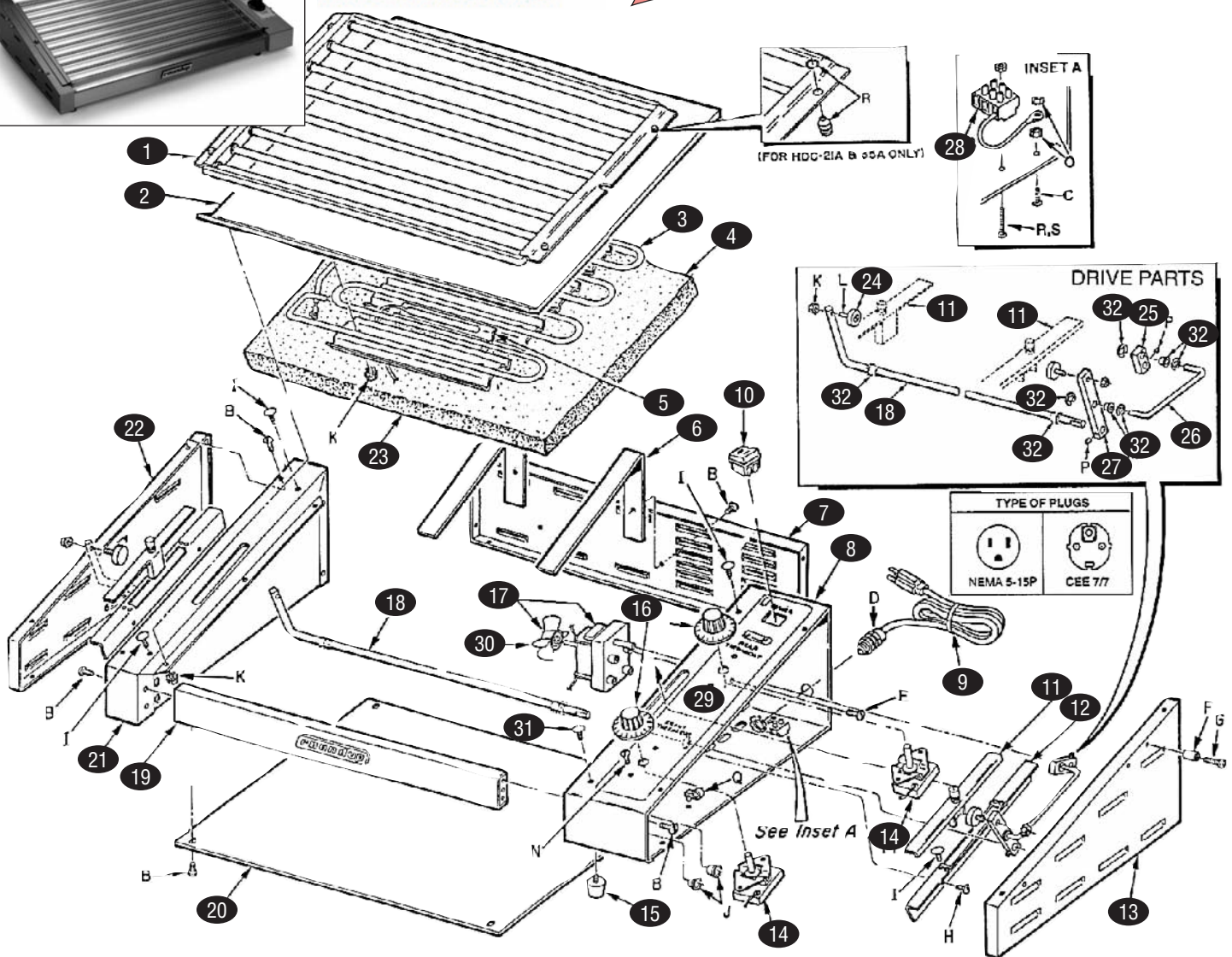


roundup
FOOD EQUIPMENT DIVISION



KEY	PART #	DESCRIPTION	KEY	PART #	DESCRIPTION
1	RU7000410	Driver Frame	18	RU0800255	Shaft/Arm Crossover
2	RU7000386	Platen Weldment	19	RU0500618	Front Panel
3	RU4030147	Heating Element, 120V, 875W	20	RU0500713	Bottom Panel
	RU4030151	Heating Element, 230V, 875W	21	RU0020233	Left Panel Weldment
4	RU0400150	Heater Insulation	22	RU0500707	Left Cover
5	RU0500667	Bulb Retainer	23	RU0500556	Heater Retainer
6	RU0500714	Insulation Retainer		RU0503078	Heater Retainer
7	RU0500619	Rear Panel	24	RU2100129	Drive Roller
8	RU0021009	Right Panel Weldment	25	RU05K1705	Motor Arm w/Set Screw
9	RU0700463	Power Cord, 120V	26	RU080K217	Driver Arm Kit
	RU0700453	Power Cord, 230V	27	RU05K1706	Pivot Arm w/Set Screw
10	RU7000543	Power Switch, 120V	28	RU4060304	Terminal Block
	RU4010137	Power Switch, 230V	29	RU1000921	Control Panel Label
11	RU0020625	Slide Channel	30	RU4000157	Motor Fan Blade
12	RU0500551	Slide Angle Bracket	31	RU218P113	Driver Guide, pkg 10
13	RU0500708	Right Cover	32	RU040K108	Bushing Bearing Kit
14	RU7000215	Thermostat	n/s	RU4070046	Electronic Timer
15	RU210K127	Foot Kit	n/s	RU1001079	Timer Label
16	RU2100130	Thermostat Knob, °F			
17	RU7000270	Drive Motor, 120V			