

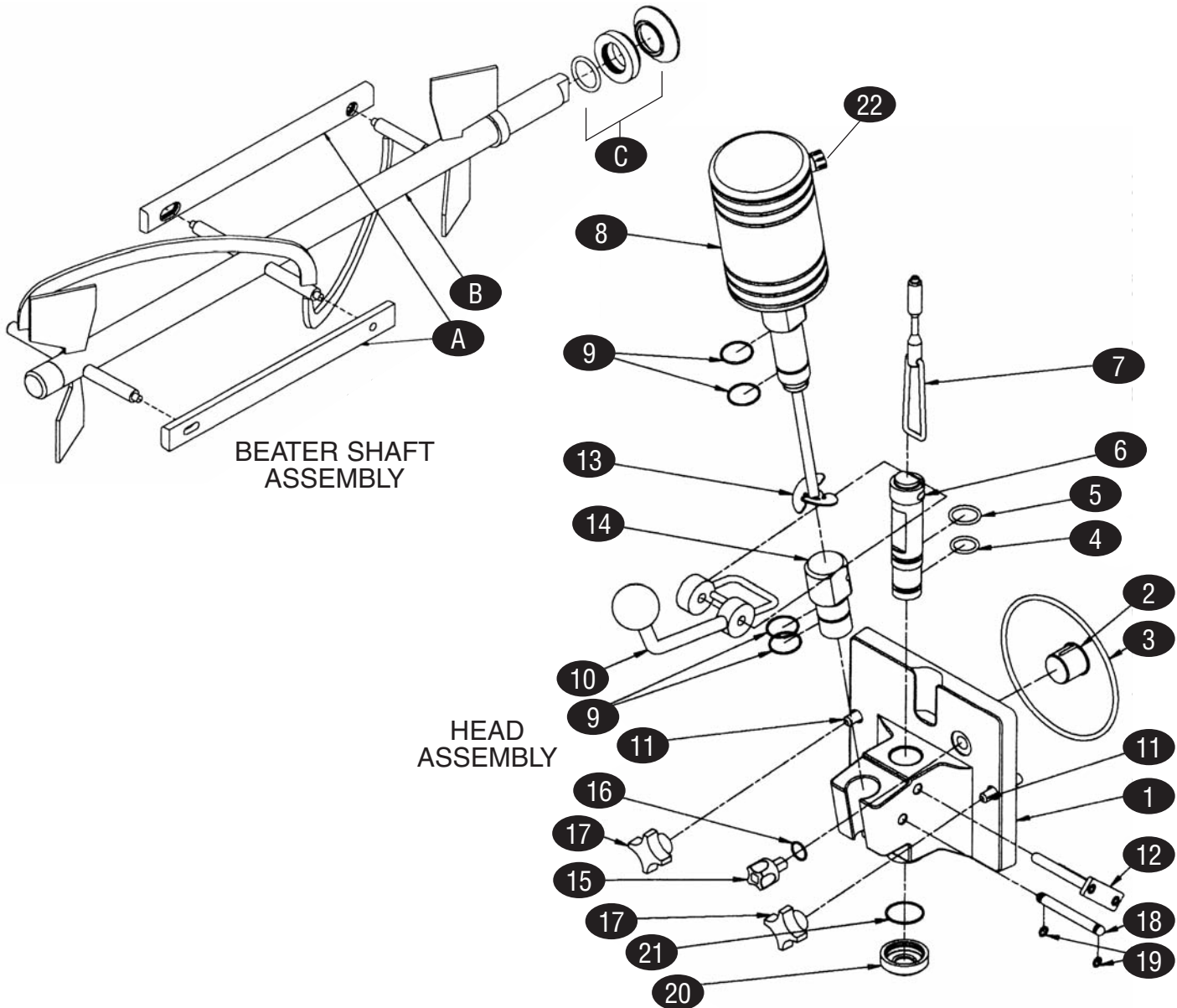
# refrigeration

SHAKE #78RMT

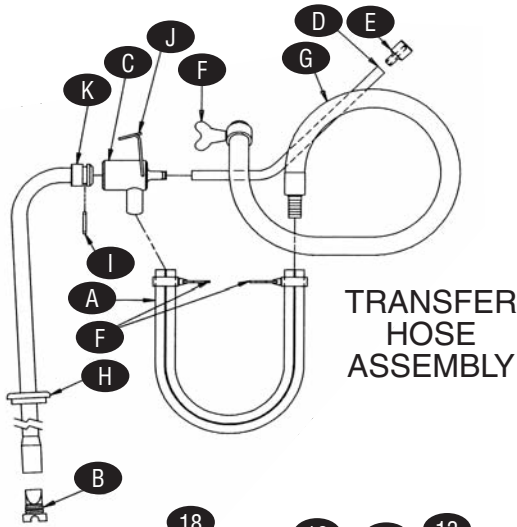
**HAGAR**

SHAKE MACHINE

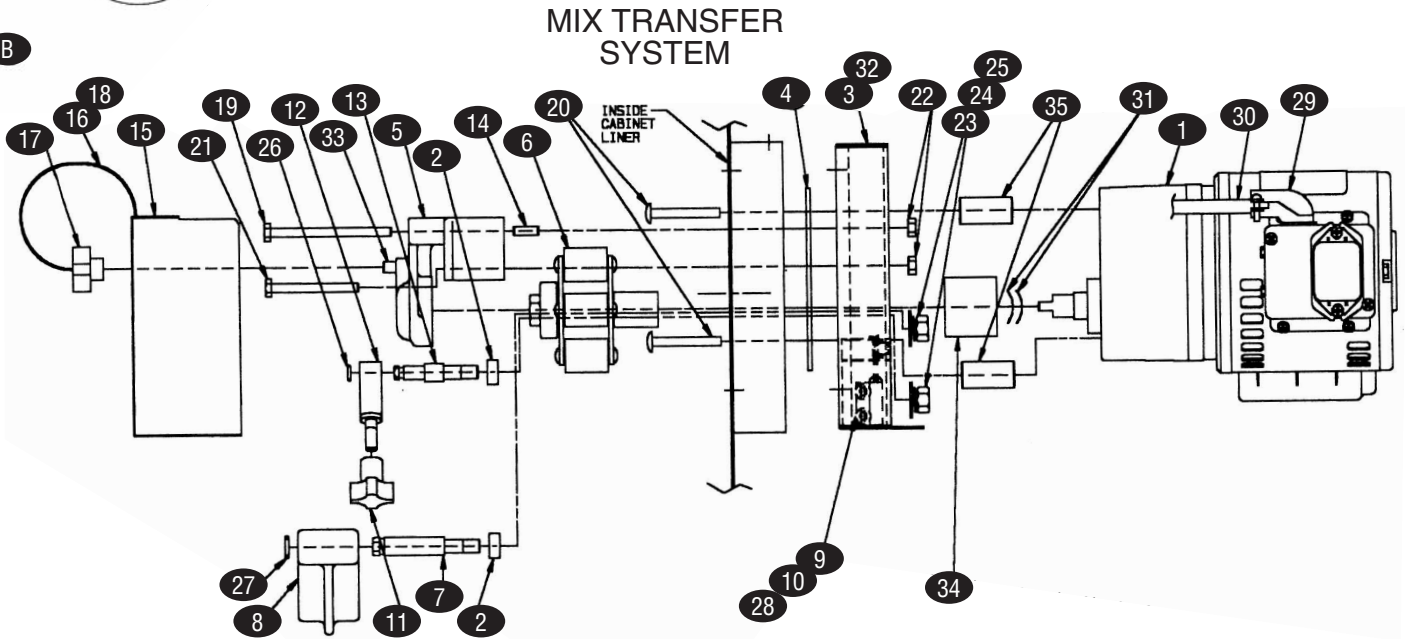
**ELECTRO FREEZE**



KEY	PART #	DESCRIPTION	KEY	PART #	DESCRIPTION
A	EF139840	Scraper Blade	9	EF160555	Spindle/Pivot Post O-Ring, pkg of 10
B	EF118892	Beater Shaft	10	EF113123	Spindle Head Handle Assembly
C	EF111875	Beater Shaft Seal Assembly	11	EF114341	Cylinder Stud Assembly, 1-15/16"
1	EF118908	Head Only	12	EF113435	Spindle Keeper Assembly
2	EF196072	Beater Bearing Bushing	13	EF116101	Spinner, Plastic
3	EF160622	Head O-Ring	n/s	EF119126	Spinner, Metal
4	EF160582	Lower Plunger O-Ring, pkg of 10	14	EF135182	Pivot Post
5	EF160501	Upper Plunger O-Ring, pkg of 5	15	EF196066	Air Relief Plug
6	EF136922	Dispensing Plunger	16	EF160621	Plug O-Ring, pkg of 10
7	EF114340	Plunger Switch Push Rod Assembly	17	EF162625	Hand Knob
8	EF119324-03	Spindle Assembly, 24oz	18	EF135070	Guide Pin
n/s	EF119324-01	Spindle Assembly, 22oz	19	EF160554	Guide Pin O-Ring, pkg of 10
n/s	EF119324-02	Spindle Assembly, 24oz	20	EF139860-01	Shake Spigot Extension
n/s	EF150889	Slo Blo Fuse, 1.0A	21	EF160620	Shake Spigot O-Ring, pkg of 10
n/s	EF150891	Motor Brush, set of 2	n/s	EF116410	Dispense Head Switch Kit
			n/s	EF119106	Tune-Up Kit
			22	EF150518	Power Cord w/Plug



Having your **serial #** ready before ordering ElectroFreeze parts, when calling our sales staff, will ensure speed & accuracy.



KEY	PART #	DESCRIPTION	KEY	PART #	DESCRIPTION
A	EF138836	Red Line Transfer Hose	12	EF138798	Shoe Swing Clamp
B	EF199032-01	Duckbill Inlet Valve, pkg of 5	13	EF138799	Swing Clamp Arm
C	EF118765	Inlet Mix/Air Port Assembly	14	EF160338	Pin, Dowel 1/4Dia.x3/4", S/S
D	EF138170	Air Tube	15	EF118767	RMT Cover Assembly
E	order by meter#	Air Meter	16	EF138890	Lanyard Wire w/o Sleeve
F	EF116065	Butterfly Hose Clamp, 5/8"	17	EF138889	RMT Cover Knob
G	EF116094	Mix Braided Hose Assembly	18	EF160508	Stop Cable Sleeve 3/64
H	EF199033	Mix Tube Boot Seal	19	EF160465	Screw, HXHC, 1/4-20x3-1/2", S/S
I	EF160502	O-Ring, pkg of 5	20	EF160093	Screw, TRPS, 1/4-28x2-1/4", S/S
J	EF162324	Retainer Tube Clip	21	EF160464	Screw, HXHC, 1/4-20x2-1/2", S/S
K	EF118836	Mix Inlet Tube Assembly	22	EF159933	Nut, HXSF, 1/4-20", S/S
1	EF151132	Gearmotor, 1/8 HP CSIR, includes:	23	EF160169	Flat Washer 3/8", S/S
	EF150512	Start Capacitor w/Bleed	24	EF159927	Hex Nut 3/8-16", S/S
	EF150893	Solid State Start Switch Relay	25	EF160170	Lock Washer 3/8", S/S
2	EF138800	Swing Arm Spacer	26	EF160628	Swing Clamp O-Ring
3	EF118764	MTS Faceplate Assembly	27	EF160612	Roller Shoe O-Ring
4	EF139746	MTS Backup Plate	28	EF159939	Screw, HXSF, 1/4-20x11/16", S/S
5	EF138783-01	Roller Bearing Support	29	EF150705	Connecto,r 3/8x90°
6	EF116009-01	Complete Roller Kit	30	EF118833	Motor Cord Assembly
7	EF138797	Arm, Shoe Pivot	31	EF160145	Curved Washer Spring
8	EF139751	Roller Shoe	32	EF165524	RMT Insulation Block
9	EF118763	Mounting Switch Bracket Assembly	33	EF160386	Stud, 5/16x3/4", S/S
10	EF118894	Freezer Cover Switch Kit, RMT	34	EF139756	Drip Shield
11	EF162622	Hand Knob	35	EF138793	Motor Spacer

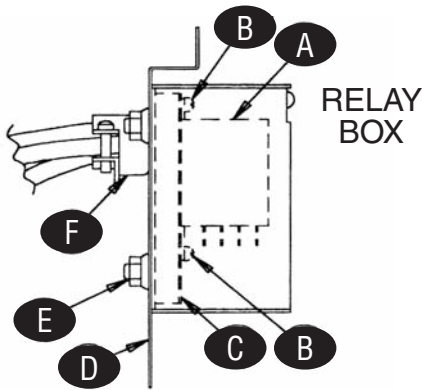
# refrigeration

SHAKE #78RMT

**HAGAR**

**ELECTRO FREEZE**

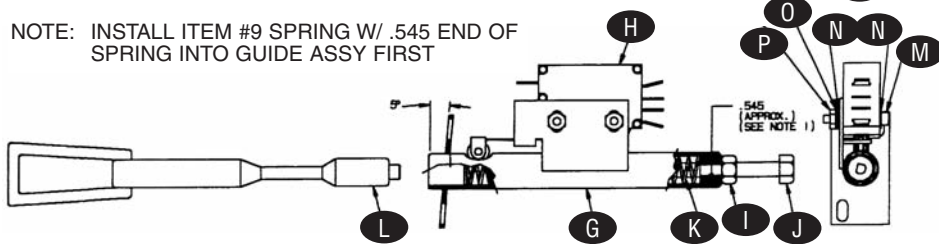
SHAKE MACHINE



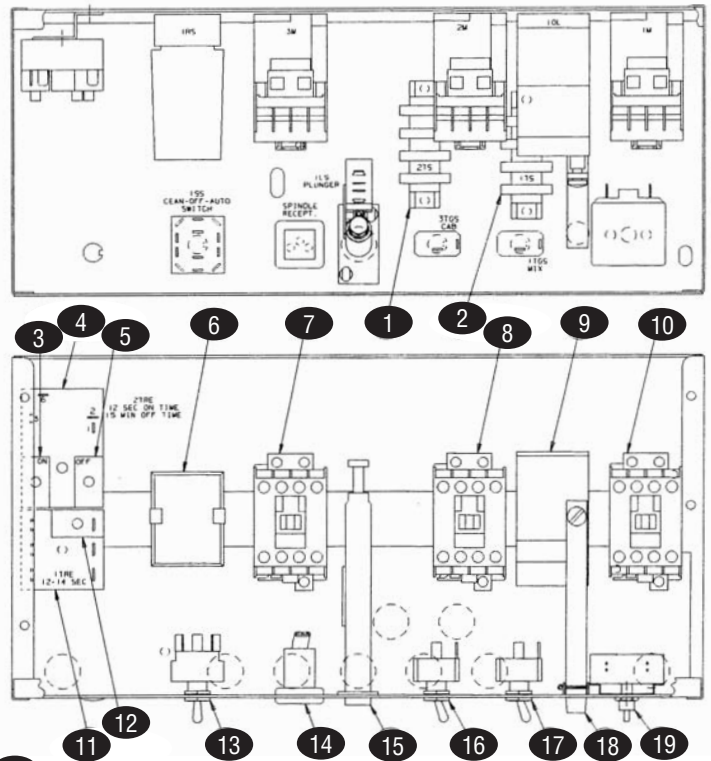
RELAY BOX

SWITCH ASSEMBLY

NOTE: INSTALL ITEM #9 SPRING W/ .545 END OF SPRING INTO GUIDE ASSY FIRST



SWITCH BOX

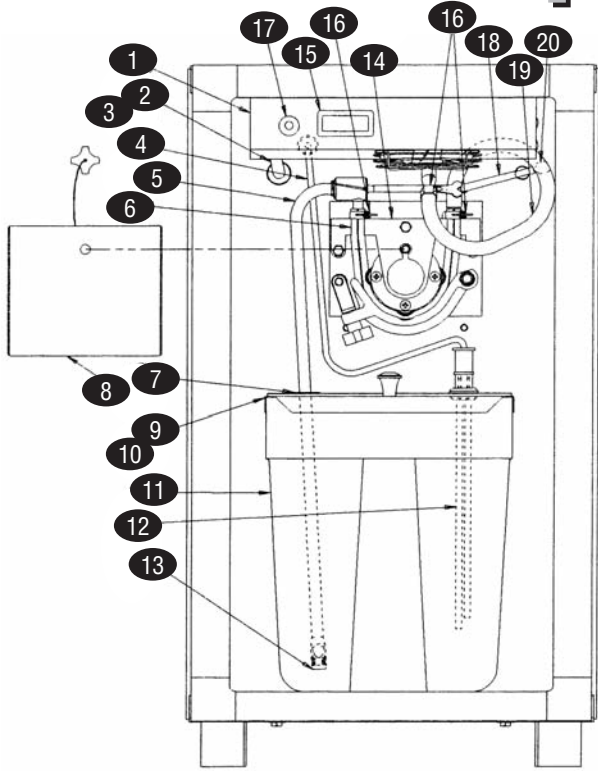


Detailed Drawings of Filter and MOV Assemblies

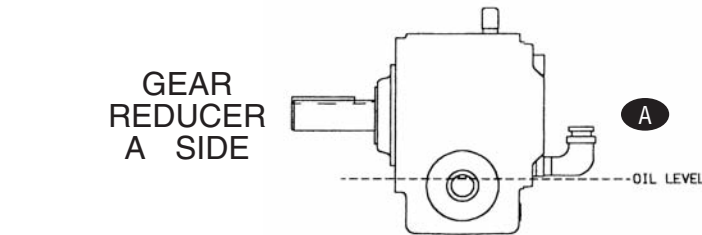


KEY	PART #	DESCRIPTION	KEY	PART #	DESCRIPTION
A	EF150381	Relay, MTS	n/s	EF150119	Octal Socket
B	EF160308	Screw, RDHM #6-32x5/16, Zinc	n/s	EF150120	Retainer Clip
C	EF138159	Bracket, Flange Relay Mtg.	7	EF150155	Cabinet Contactor
D	EF138248	MTS Support	8	EF150155	Compressor, Contactor
E	EF159950	Screw, Hex SF, 1/4-20x1/2, Zinc	9	EF118359	Relay Assembly, Overload, 1-Phase, 5-15A
F	EF150828	Connector	n/s	EF150145	Din Rail Adaptor, Overload
G	EF114270	Push Rod Guide Assembly	n/s	EF150150	Reset Button, Overload
H	EF150478	Roller Actuator Switch, DPDT	n/s	EF150140	Relay, Overload, 5-15A, S/S
I	EF160104	Hex Nut, Adjusting Bolt, 1/4x20, Zinc	n/s	EF118361	Relay Assembly, Overload, 3-Phase, 3.7-12A
J	EF159993	Screw, Hex HM, 1/4-20x2-3/4, Zinc	n/s	EF150145	Din Rail Adaptor, Overload
K	EF159374	Plunger Switch Spring	n/s	EF150150	Reset Button, Overload
L	EF114340	Push Rod Plunger	n/s	EF150142	Relay, Overload, 3.7-12A, S/S
M	EF160381	Screw	10	EF150155	Beater Motor Contactor
N	EF160393	Washer, Flat	11	EF150252	Timer, Delay on Break, 115V
O	EF160392	Washer, Ext.	12	EF150253	Module, Plug on Vari Time
P	EF160309	Nut	13	EF150436	Toggle OFF Switch Selector, Center, 4 PDT
1	EF150795	Terminal Strip	n/s	EF116125	Filter Assembly
n/s	EF116125	Filter Assembly	14	EF150501	Receptacle Harness Wiring
2	EF150795	Terminal Strip	15	EF115688	Plunger Switch Assembly
n/s	EF116188	MOV Assembly	16	EF159235	Cabinet Toggle Switch, SPST
3	EF150274	Vartime Module, 1M 1-100S	17	EF159235	MTS Toggle Switch, SPST
4	EF150273	Recycle Timer	18	EF118550	Reset Level Assembly
5	EF150275	Vari Time Module, 1M 1-100M	n/s	EF159036	Reset Button
6	EF150202	Mix Level Indicator	n/s	EF114240	Timer, Solid State
n/s	EF150540	Indicator Light			





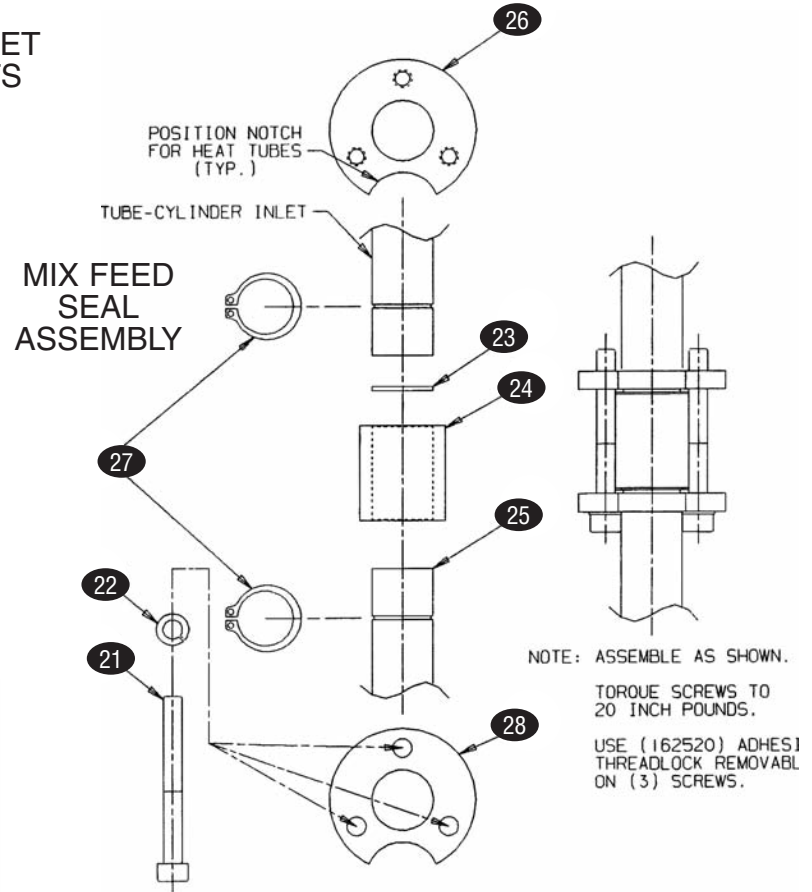
CABINET PARTS



GEAR REDUCER  
A SIDE

A

OIL LEVEL



POSITION NOTCH FOR HEAT TUBES (TYP.)

TUBE-CYLINDER INLET

MIX FEED SEAL ASSEMBLY

NOTE: ASSEMBLE AS SHOWN.

TORQUE SCREWS TO 20 INCH POUNDS.

USE (162520) ADHESI THREADLOCK REMOVABLE ON (3) SCREWS.

KEY	PART #	DESCRIPTION	KEY	PART #	DESCRIPTION
1	EF116516-01	Evaporator Shroud Assembly	15	EF161004	Barrel Thermometer
	EF150532	Male Plug Cord Assembly	16	EF116065	Butterfly Hose Clamp, 5/8"
	EF151105	Intake Fan, Cabinet	17	EF150509	Door Push Button Switch
	EF151076	Open Fan Guard	18	EF138170	Air Tube
	EF119163	Door Push Button Switch	19	EF116094	Hose Assembly, Mix Braided
	EF161004	Barrel Thermometer	20	use meter#	Air Meter
	EF155111	Evaporator Coil	21	EF116537	Shaft Seal Kit
	EF150533	Female Plug Cord Assembly	22	EF111780	Drive Coupling Assembly, 7/8"
2	EF160738	Hose Drain Clamp	23	EF158055	Special Gear Lube Oil
3	EF196068	Tubing, 3/8"IDx1/2"OD	21	EF160320	Screw, SKHC, #10-24x1-3/4", S/S
4	EF150537	Probe Cordset, Mix Level	22	EF160166	Lock Washer, #10, S/S
	EF150536	Molded Receptacle Level Sensor	23	EF160556	Mix Joint Gasket
5	EF118842	Pickup Tube Assembly	24	EF139351	Alignment Collar
	EF118765	Inlet Port Assembly, Mix/Air	25	EF139823	Tube, Mix Feed Clamp
	EF118836	Inlet Tube Assembly, Mix	26	EF139352	Threaded Ring Clamp
	EF162324	Retainer Tube Clip	27	EF160312	Retaining Ring, 5/8" Ext, S/S
	EF160502	O-Ring, pkg of 5	28	EF139353	Ring Clamp
6	EF138836	Redline Transfer Hose	A	EFHCD920	Gear Reducer (pictured only) is not rebuildable
7	EF199033	Boot, Mix Tube	n/s	EF116537	Shaft Seals Kit
8	EF118767	RMT Cover Assembly	n/s	EF111780	Drive Coupling Assembly, 7/8"
9	EF113997	Front Cover Assembly, Mix Tank	n/s	EF158055	Oil, Special Gear Lube
10	EF138165	RMT Rear Cover, Mix			
11	EF196222	Mix Tank, 7gal, 13-1/4" High			
12	EF115397	Mix Level Probe Assembly, 10-3/4"			
13	EF199032-01	Inlet Duckbill RM MTS			
14	EF118751	CAB Red Line MT Assembly			

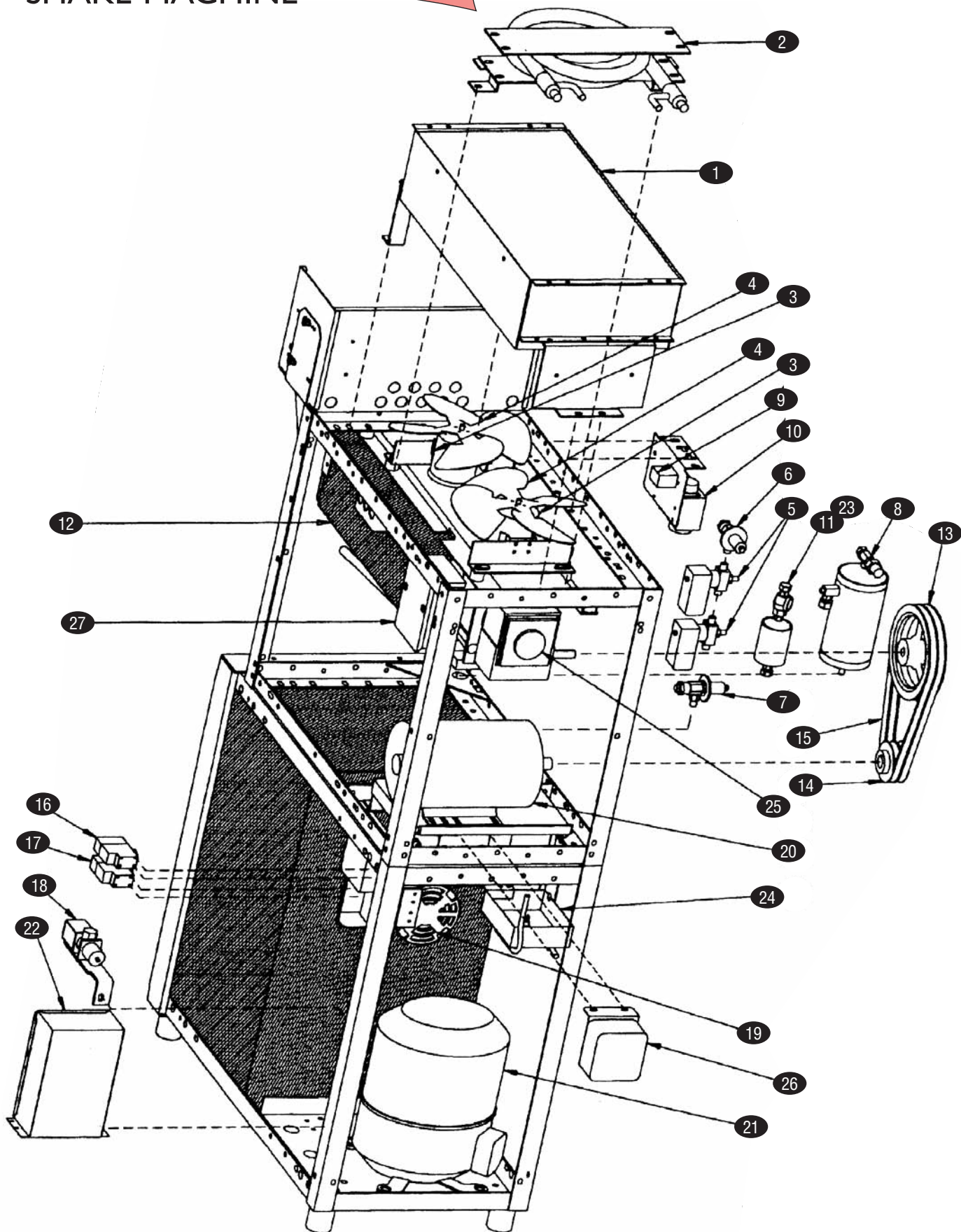
# refrigeration

SHAKE #78RMT

HAGAR

SHAKE MACHINE

ELECTRO FREEZE



KEY	PART #	DESCRIPTION	KEY	PART #	DESCRIPTION
1	EF155120	Air Condenser			
2	EF155029	Water Condenser			
3	EF151077-01	Fan Motor, 50W, Air Cooled			
4	EF159023	Fan Blade, 11" 36°, Air Cooled			
5	EF155421	Solenoid Valve, 208/240V			
n/s	EF155434	Solenoid Valve Kit			
6	EF155449	Cabinet Automatic Expansion Valve			
7	EF155479	Cylinder Automatic Expansion Valve			
8	EF155057	ID Sweat Receiver, 3lb 3/8"			
9	EF119310	Cabinet Thermostat Assembly w/ Cover			
10	EF119989	Cylinder Low Thermostat			
11	EF155054	Filter Drier			
12	EF118876	Complete Cylinder Assembly			
n/s	EF114341	Cylinder Stud Assembly, 1-15/16"			
13	EF153602	Driven Pulley Sheave, 5/8" Bore, 7.250D			
n/s	EF160033	Screw, Sk Set, 5/16-18x3/8" BKOX			
n/s	EF153322	Drive Key, 3/16sq x1-1/2"			
14	EF153620	Driver Pulley Sheave, 7/8 Bore, 3.050D			
n/s	EF160033	Screw, Sk Set 5/16-18x3/8" BKOX			
n/s	EF153322	Drive Key 3/16sq x1-1/2"			
15	EF153181	V-Belt			
16	EF155425	High Pressure Cut-out			
17	EF155403	Low Pressure Cut-out			
18	EF113769	Water Valve Assembly includes			
	EF155410	Water Valve, 3/8"			
n/s	EF155444	Water Valve Repair Kit			
19	EF151132	Gearmotor, 1/8 Hp MTS			
20	EF151088	Drive Motor, 1-1/2 Hp, 3-Phase			
	EF118142	Drive Motor & Capacitor Kit, 1-1/2Hp, 1-Phase only, includes			
	EF150236	Run Capacitor			
	EF150235	Start Capacitor			
21	EF118237	3 Ph Compressor Assembly, includes			
	EF155054	Filter Drier			
	EF155419	Access Valve			
	EF118236	Compressor Assembly, 1-Phase, includes			
	EF151363	Capacitor & Box Relay Assembly			
	EF155054	Filter Drier			
22	EF151363	Compressor Capacitor & Relay Box Assembly, 1-Phase only, includes			
	EF150398	Start Capacitor			
	EF150403	Run Capacitor			
	EF150406	Start/Run Relay			
23	EF155059	Sight Glass			
24	EF116560	Condensate Pan Assembly			
25	EF153353	Gear Reducer			
26	N/A	MTS Relay Box Assembly (pictured only)			
27	N/A	Beater Motor Capacitor Box, 1-Phase only			

Having  
your **serial #** ready  
before ordering ElectroFreeze parts,  
when calling our sales staff, will  
ensure speed & accuracy.



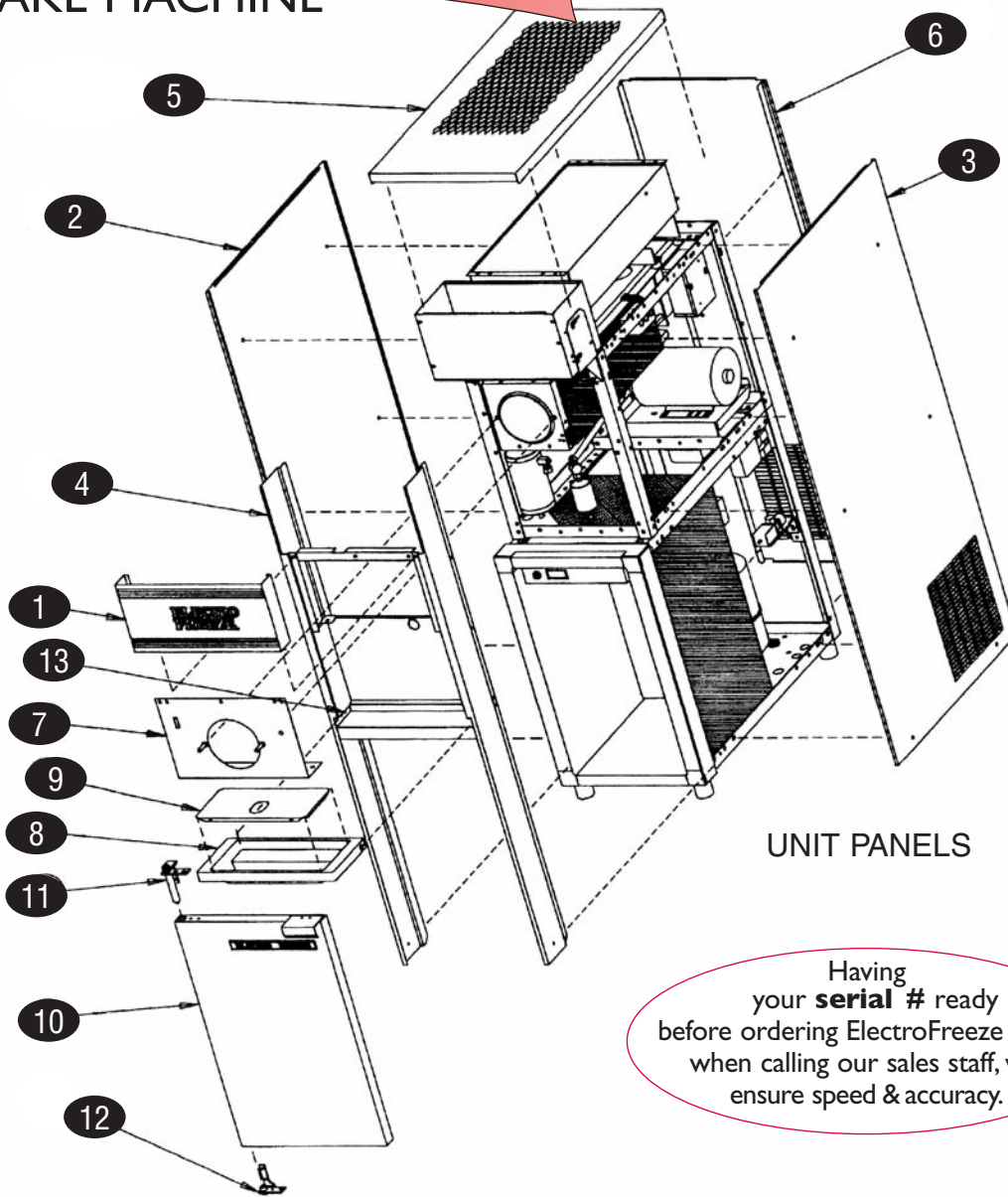
# refrigeration

SHAKE #78RMT

**HAGAR**

**ELECTRO FREEZE**

SHAKE MACHINE



KEY	PART #	DESCRIPTION	KEY	PART #	DESCRIPTION
1	EF118891-01	Trimstrip Assembly	n/s	EF118597	Door Switch Actuator Assembly
2	EF139834-C	Side Panel, LH	11	EF162045	Top Pivot Hinge, 1-3/8", LH
3	EF139835-C	Side Panel, RH		EF162052	Spring, LH
4	EF118885-C	Front Pan Assembly, includes	12	EF162046	Bottom Pivot Hinge, 1-3/8", LH
	EF159175	Bullet Catch, Button for Drip Tray	13	EF159175	Bullet Catch, button for drip tray
	EF160289	Round Push Nut	n/s	EF160289	Round Push Nut
5	EF118886-C	Top Panel Assembly, Air-cooled			
	EF118911-C	Top Panel Assembly, Water-cooled			
6	EF139837-C	Rear Panel			
7	EF139836-C	Dispense Panel			
8	EF196107-02	Drip Tray, Black, 18"			
9	EF118893	Drip Tray Insert Assembly			
	EF199030	Rubber Bumper			
10	EF114260-06-C	Complete Door Assembly, 18" EF			
	EF160563-02	Magnetic Gasket			
	EF136199	Door Pull Handle			