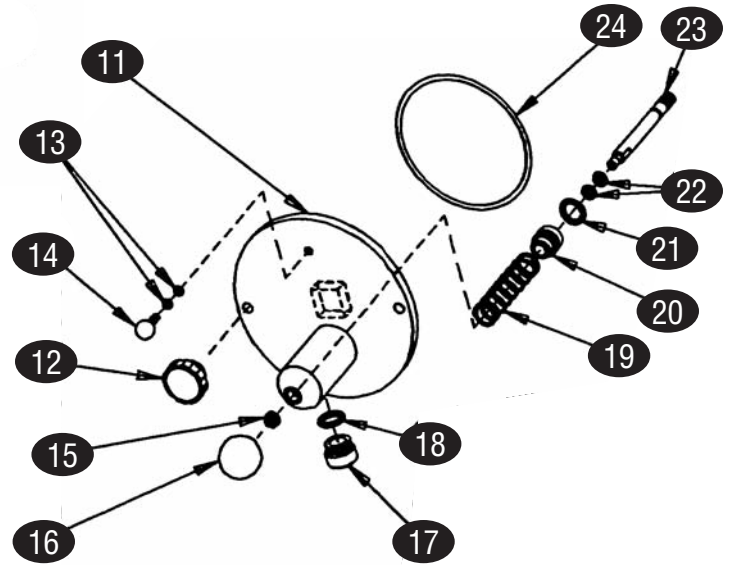


BEATER SHAFT ASSEMBLY

DISPENSE HEAD ASSEMBLY



KEY	PART #	DESCRIPTION	KEY	PART #	DESCRIPTION
1	EF117175	Beater Shaft, 6"dia, 24"long	18	EF160582	Nozzle O-Ring, pkg of 10
2	EF136382	Scraper Blade	19	EF162319	Plunger Spring
3	EF136381	Scraper Blade Spring	20	EF136253	Plunger
4	EF117178	Breaker Bar	21	EF165082	Plunger, O-Ring, pkg of 10
6	EF117215	Beater Shaft Seal Assembly	22	EF160610	Rod, O-Ring, pkg of 10
7	EF138947	Shaft Breaker Bar Bushing	23	EF113999	Plunger Rod Assembly
8	EF160597	Quad Ring, pkg of 5	24	EF160622	O-Ring
11	EF116955	Complete Head Assembly	n/s	EF117337	Tune-Up Kit
n/s	EF117172	Head only			
12	EF162634	Hand Knob			
n/s	EF114341	Cylinder Stud Assembly, 1-15/16"			
13	EF160561	O-Ring Plug, pkg of 10			
14	EF115416	Air Relief Plug			
15	EF139274	Piston Rod Nut			
16	EF162629	Ball Knob			
17	EF136249-01	Nozzle			

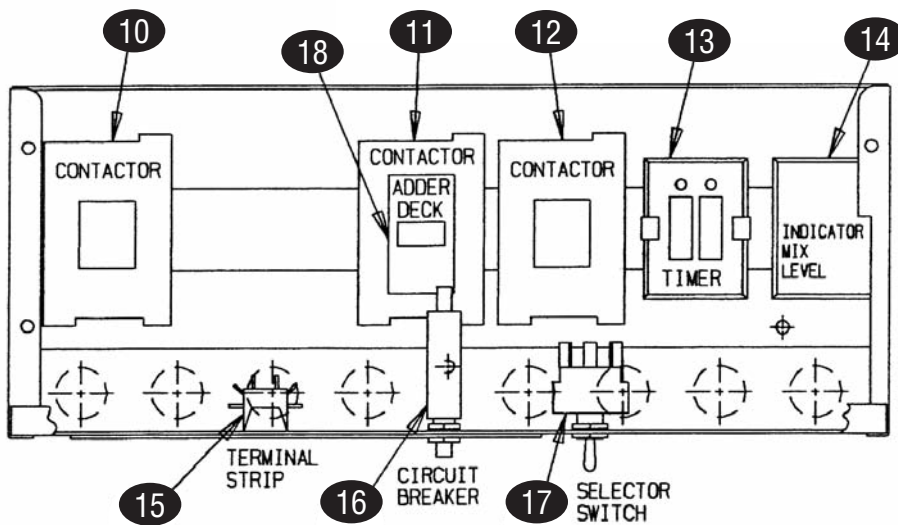
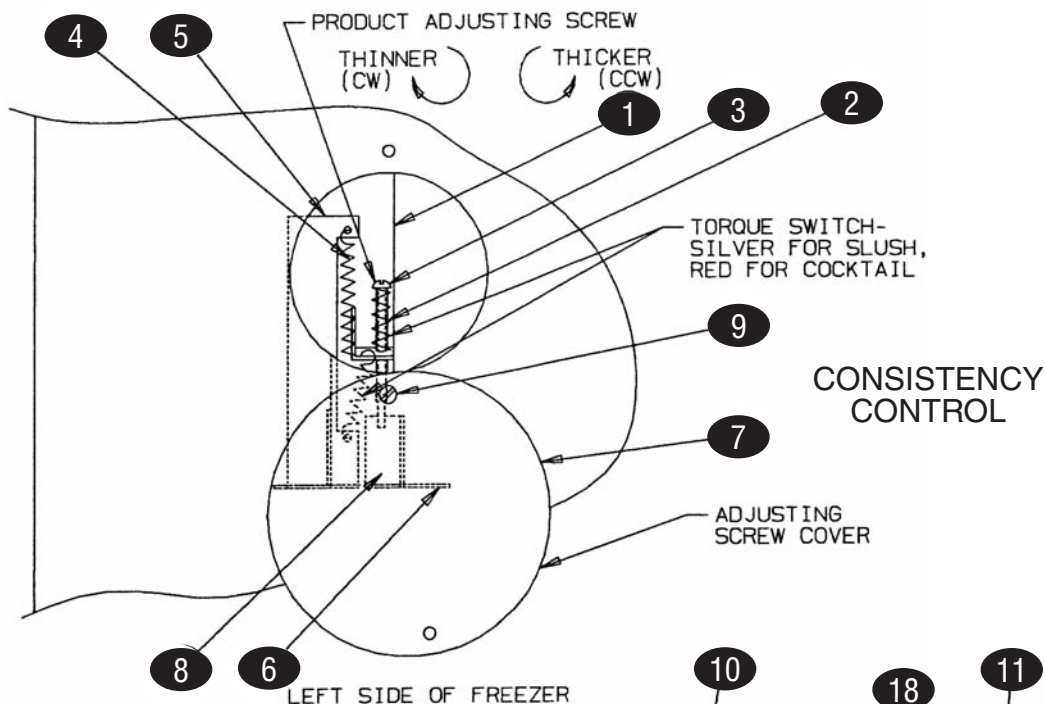
refrigeration

MODEL #810

HAGAR

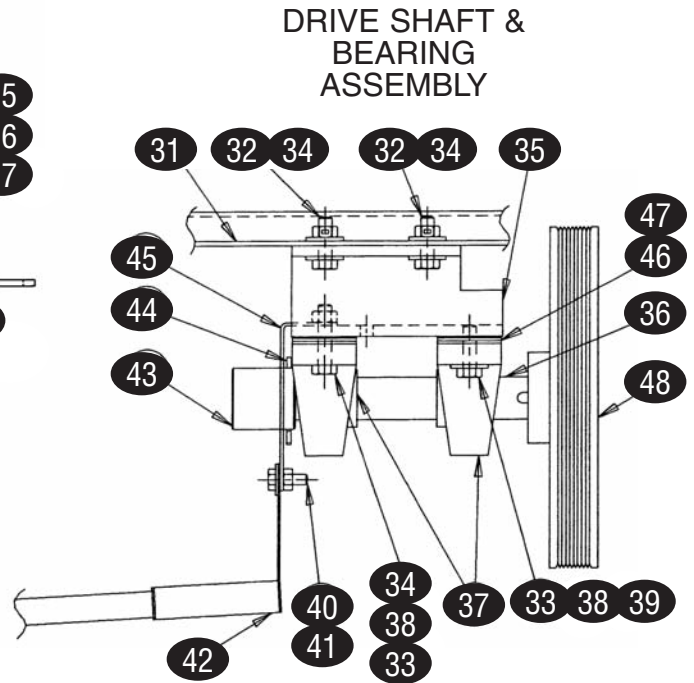
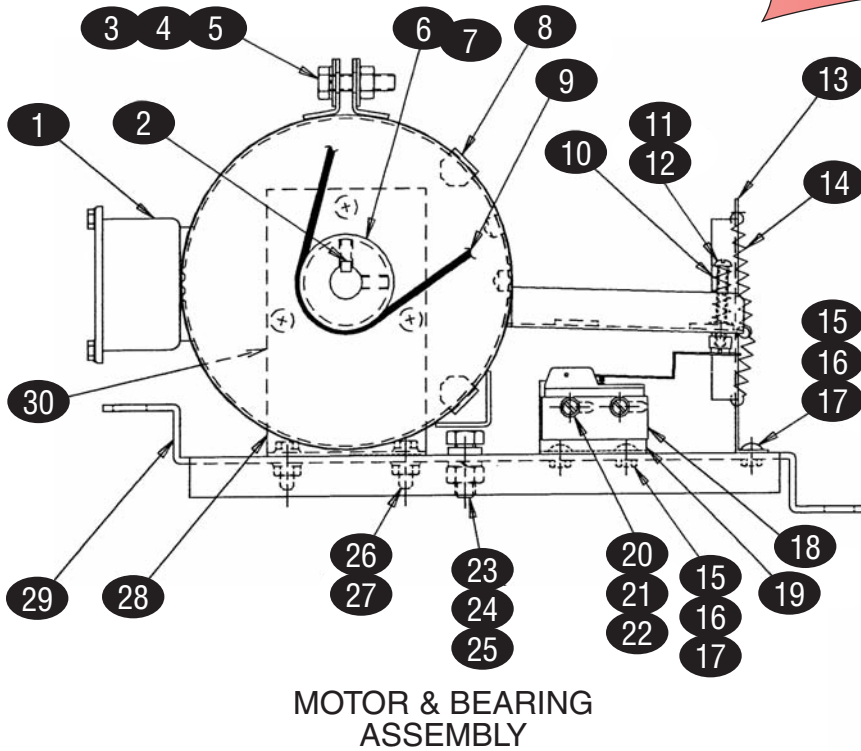
ELECTRO FREEZE

SLUSH MACHINE



Having your **serial #** ready before ordering ElectroFreeze parts, when calling our sales staff, will ensure speed & accuracy.

KEY	PART #	DESCRIPTION	KEY	PART #	DESCRIPTION
1	EF116968	Torque Band Arm Assembly	14	EF150202	Mix Level Indicator
2	EF162346	Adjusting Screw Spring	15	EF150795	Terminal Strip
3	EF196015	Plastic Adjusting Product Screw	16	EF150473	Circuit Breaker, 2.0A
4	EF162338	Extension Torque Spring	n/s	EF150472	Overload Reset, 2.5A
5	EF134661	Torque Control Spring Bracket	17	EF150463	Toggle Switch, DPDT Center "OFF"
n/s	EF160138	Screw Adjusting Washer	n/s	EF155425	High Pressure Cut-out
6	EF134632	Switch Bracket Mounting	n/s	EF155403	Low Pressure Cut-out
7	EF136959	Access Adjustment Hole Cover	n/s	EF155465	Low Pressure Cut-out, Air-cooled Remote
8	EF136388	Torque Switch	18	EF150103	Adder Deck
9	EF160076	Screw, TRPM, #10-24x1/2", S/S			
10	EF150155	Beater Contactor			
11	EF150155	Compressor Contactor			
12	EF150155	Hopper Contactor			
13	EF150262	Timer, DOM/DOB Adj, w/Dipswitches & LED			
n/s	EF150119	Octal Socket			
n/s	EF150120	Retainer Clip			



KEY	PART #	DESCRIPTION	KEY	PART #	DESCRIPTION
1	EF117342	Motor Beater Assembly, includes	25	EF160143	Lock Washer, 3/8", Zinc
	EF150293	Run Capacitor	26	EF159948	Screw, Hex SF, 1/4-20x3/4", Zinc
	EF150294	Start Capacitor	27	EF159951	Nut, Hex SF, 1/4-20", Zinc
2	EF153322	Drive Key	28	EF117282	Retainer Bearing Assembly, Front
3	EF160010	Screw, Hex HC 5/16-18x1-1/4", Zinc	29	EF116972	Motor Plate Assembly, Adj.
4	EF159220	Lock Nut, 5/16-18", Zinc	30	EF117283	Retainer Bearing Assembly, Rear
5	EF160131	Flat Washer, 5/16", Zinc	31	EF115203	Cylinder and Bearing Plate Assembly Mounting
6	EF153635	Driver Pulley Flywheel, Sheave	32	EF159944	Hex Screw, SF, 5/16"-18x1", Zinc
7	EF160495	Screw, SK Set, 1/4-20x1/4", pkg of 5	33	EF160131	Flat Washer, 5/16", Zinc
8	EF116968	Torque Band Arm Assembly	34	EF159947	Hex Nut, SF, 5/16"-18", Zinc
9	EF153124	Drive Poly V-Belt	35	EF136688	Bearing Mounting Plate
10	EF162346	Adjusting Screw Spring	36	EF117336	Drive Shaft
11	EF196015	Adjusting RD HD Screw	37	EF153030	Pillow Block Bearing, 1", w/Ring & Collar
12	EF160138	Adjusting Screw Washer	38	EF160011	Hex Screw, HC 5/16"-18x1-1/2", Zinc
13	EF134661	Spring Bracket	39	EF160142	Lock Washer, 5/16", Zinc
14	EF162338	Extension Torque Spring	40	EF159950	Screw, Hex SF, 1/4"-20x1/2", Zinc
15	EF160449	Space Screw, #8-32x1/2", S/S	41	EF159951	Nut, Hex SF, 1/4-20", Zinc
16	EF160102	Hex Nut, #8-32", Zinc	42	EF116940	Drain Tube Assembly
17	EF160470	Lock Washer, #8, Zinc	43	EF133415	Coupling Cap
18	EF136388	Torque Switch	44	EF159248	Cotter Pin, 2-1/4x1/8", Zinc
19	EF134632	Mounting Switch Bracket	45	EF136843	Drain Tube Hanger
20	EF160156	Screw, TRHM #6-32x1-1/4", S/S	46	EF135380	Bearing Shim
21	EF160309	Hex Nut, #6-32, Zinc	47	EF135381	Bearing Shim, 24GA
22	EF160393	Flat Washer, #6 Brass	48	EF153644	Driven Sheave
23	EF160013	Screw, Hex HC 3/8-16x1", Zinc	n/s	EF153323	Drive Key
24	EF160453	Hex Nut, 3/8-16", Zinc			

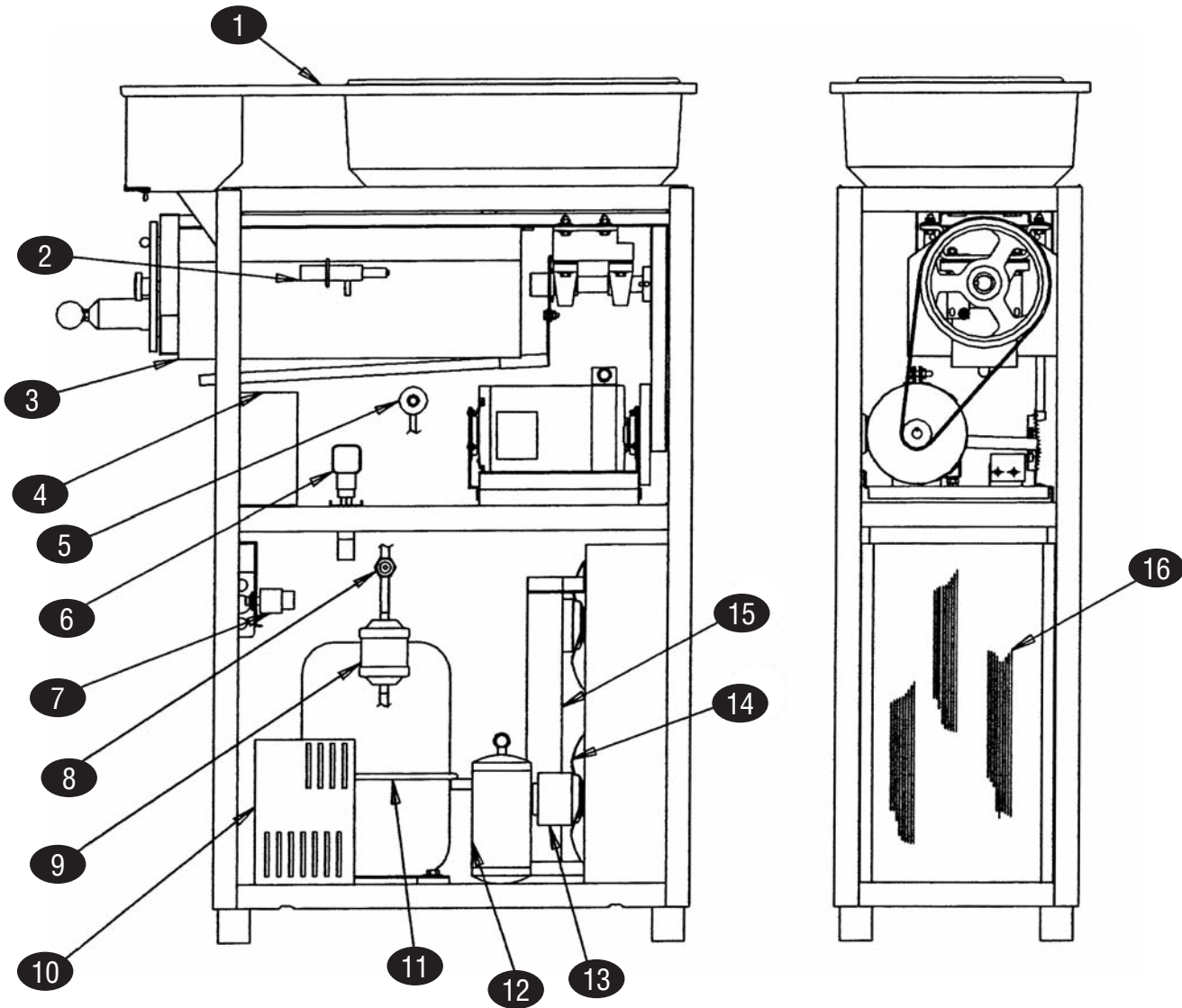
refrigeration

MODEL #810

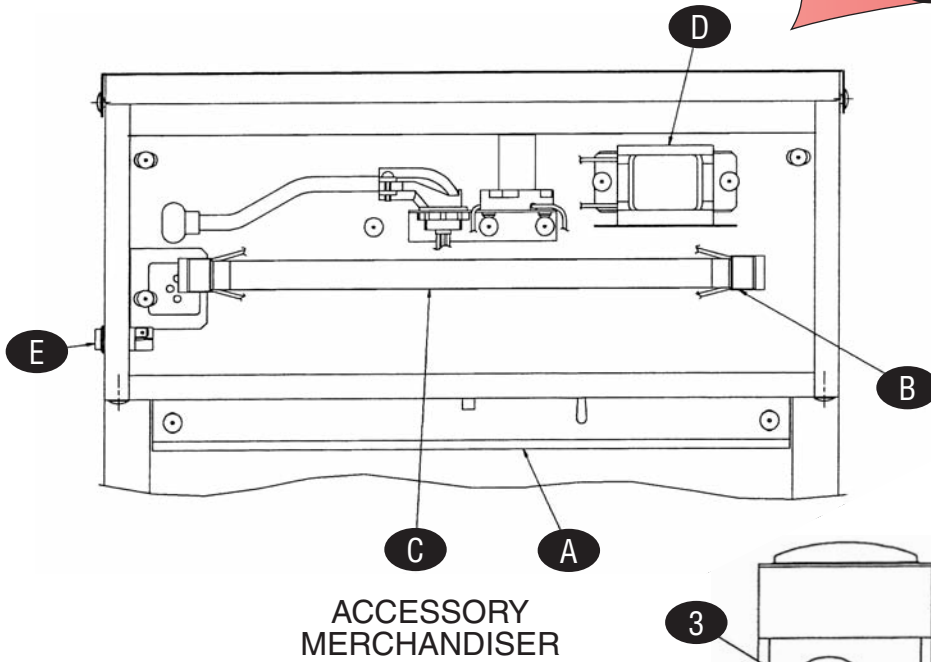
HAGAR

ELECTRO FREEZE

SLUSH MACHINE

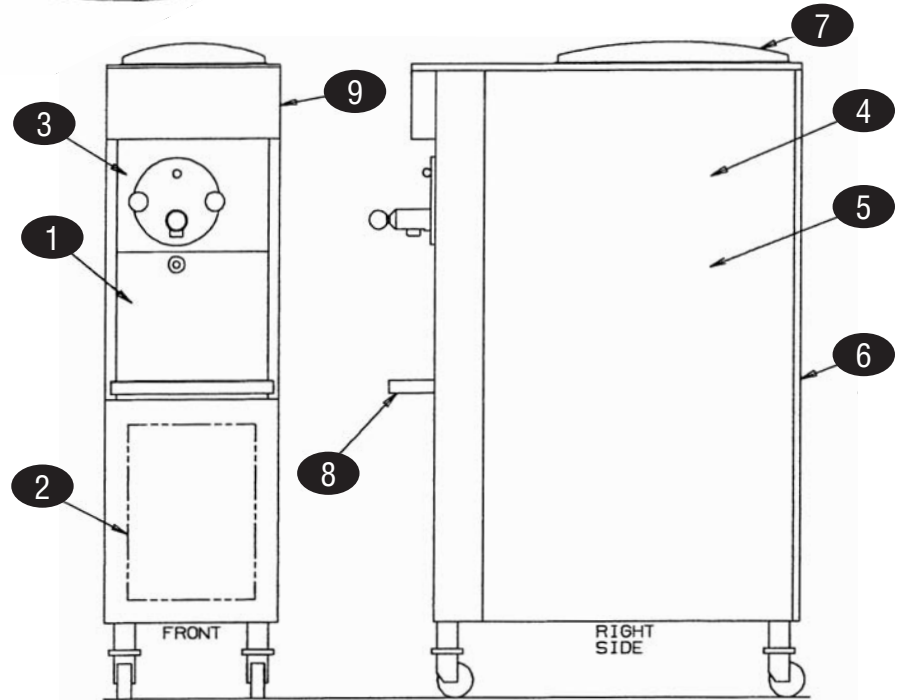


KEY	PART #	DESCRIPTION	KEY	PART #	DESCRIPTION
1	EF116953	Hopper & Top Panel Assembly		EF150398	Start Capacitor
2	EF155449	Hopper Automatic Expansion Valve		EF150399	Run Capacitor
3	EF116963	Complete Cylinder Assembly		EF150401	Relay
4	EF116979	Motor Capacitor & Relay Box Assembly	12	EF155057	Receiver 3lb, Air or Water-cooled
	EF150293	Run Capacitor	n/s	EF155064	Receiver 10lb, Air-cooled Remote
	EF150294	Start Capacitor	13	EF151080	Fan Motor, 1-Phase, 35W 230V
5	EF155451	Cylinder Automatic Expansion Valve	14	EF159017	Fan Blade, 10", 36°
6	EF155421	Solenoid Valve, 208/240V	15	EF137313	Fan Condenser Base Mounting
7	EF161202	Fixed Differential Thermostat, 5°	16	EF155123	Air Condenser
8	EF155059	Sight Glass			
9	EF155054	Filter Drier, 8 cubic inches			
10	EF151362	Capacitor & Relay Box Assembly			
	EF150398	Start Capacitor			
	EF150399	Run Capacitor			
	EF150401	Relay			
11	EF118234	Compressor Assembly, 1-Phase, 208/230V			



Having your **serial #** ready before ordering ElectroFreeze parts, when calling our sales staff, will ensure speed & accuracy.

UNIT PANELS



KEY	PART #	DESCRIPTION	KEY	PART #	DESCRIPTION
A	EF116224	Illuminated Sign Assembly w/Mounting	8	EF196119	Drip Tray, Black, 16"
B	EF150574	Bulb Socket	n/s	EF116980	Drip Tray Insert Assembly
C	EF150578	Fluorescent Bulb		EF138791	Drip Tray Insert
D	EF150577	Fluorescent Ballast	9	EF115321	Trimstrip Assembly, EF Decal, 16"
E	EF150485	Rocker Switch, SPST			
1	EF116994-C	Panel Assembly, Front			
2	EF132453	Louvered Panel, Front			
3	EF137224-01	Dispense Panel			
4	EF132277-C	Side Panel, RH			
5	EF138810	Side Panel, LH			
6	EF132278-C	Rear Panel, 16", Water-cooled			
n/s	EF117109	Rear Panel Assembly, 16", Air-cooled			
n/s	EF136948	Upper Rear Panel, Air-cooled Remote			
n/s	EF139061	Lower Rear Panel, Air-cooled Remote			
n/s	EF136946-C	Rear Panel Strip, Air-cooled Remote			
7	EF196121	Hopper Cover			