

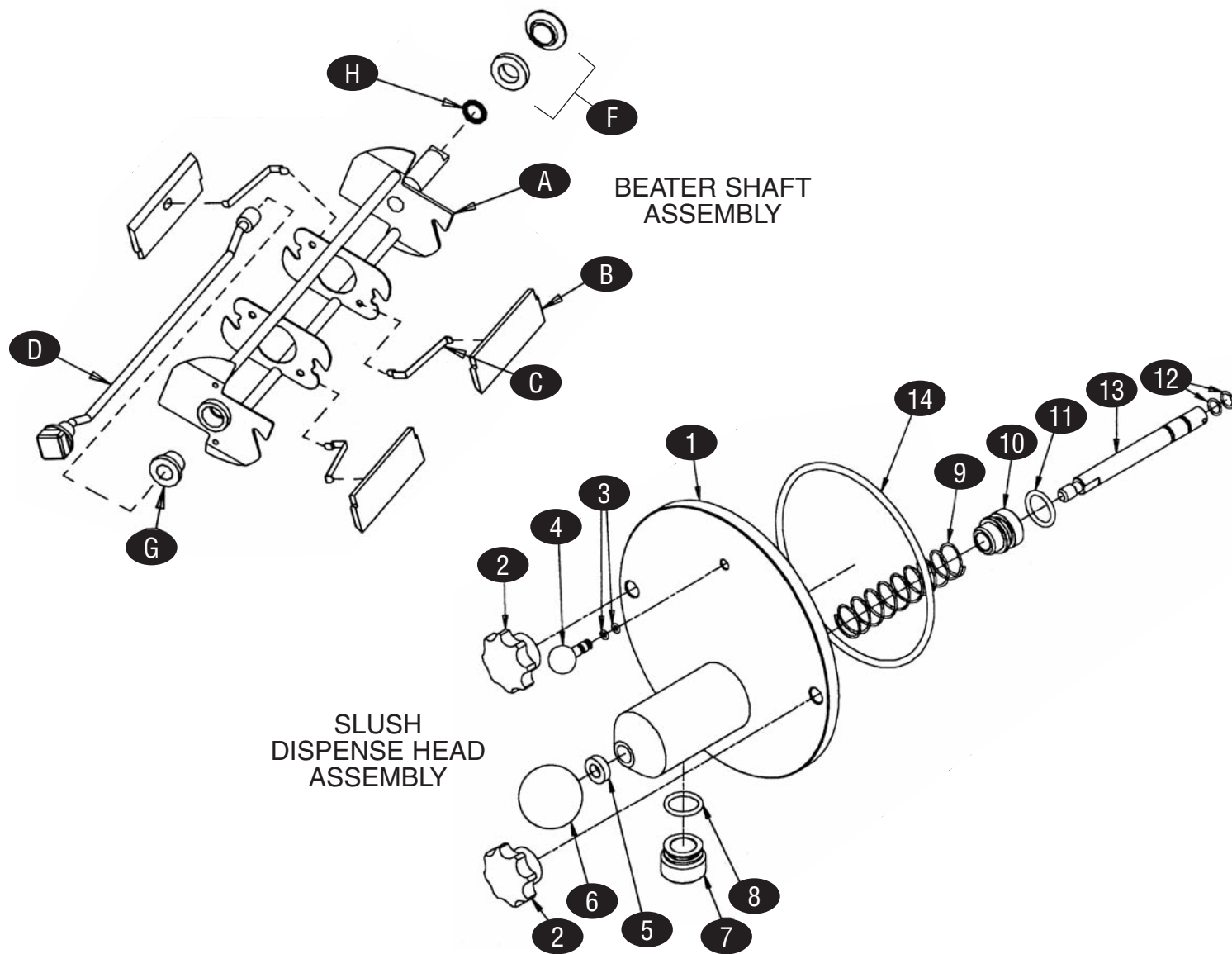
refrigeration

MODEL #812

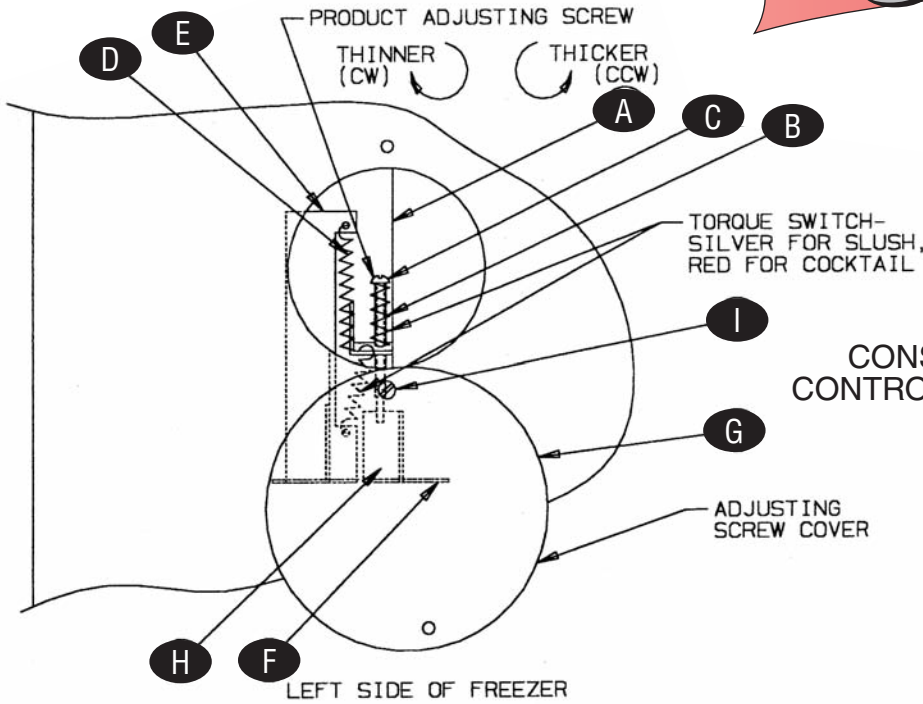
HAGAR

ELECTRO FREEZE

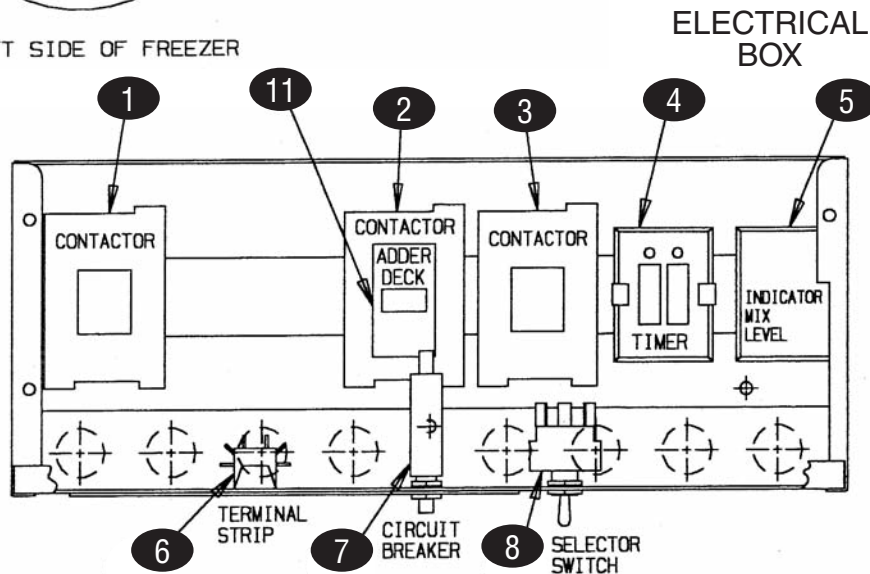
SLUSH MACHINE



KEY	PART #	DESCRIPTION	KEY	PART #	DESCRIPTION
A	EF118786	Slush Beater, 26"dia 24"long	8	EF160582	Plunger O-Ring, pkg of 10
B	EF139771	Scraper Blade	9	EF162319	Pull Valve Spring
C	EF134649	Blade Spring	10	EF136253	Valve Piston
D	EF118784	Breaker Assembly	11	EF160582	Piston O-Ring, pkg of 10
F	EF117215	Beater Shaft Seal Assembly	12	EF160610	Rod O-Ring, pkg of 10
G	EF138947	Shaft Bushing	13	EF113999	Piston Rod Assembly
H	EF160597	Quad Ring, pkg of 5	14	EF160622	Head O-Ring
	EF116955	Complete Head Assembly	n/s	EF117337	O-Ring Kit
1	EF117172	Door only			
2	EF162634	Fluted Torque Knob, Black 5/16-18"			
n/s	EF114341	Cylinder Stud Assembly, 1-15/16"			
3	EF160561	O-Ring Plug, pkg of 10			
4	EF115416	Air Bleed Plug Assembly			
5	EF139274	Piston Rod Nut			
6	EF162629	Ball Knob, Thd Black, 3/8-16"			
7	EF136249-01	Valve Outlet			



Having your **serial #** ready before ordering ElectroFreeze parts, when calling our sales staff, will ensure speed & accuracy.



KEY	PART #	DESCRIPTION	KEY	PART #	DESCRIPTION
A	EF116968	Motor Band Assembly	n/s	EF150540	Indicator Light
B	EF162346	Screw Spring Adjusting	6	EF150795	Terminal Strip
C	EF196015	Plastic Product Adjusting Screw	7	EF150473	Circuit Breaker, 2.0A
D	EF152338	Torque Extension Spring	n/s	EF150472	Overload Reset, 2.5A
E	EF134661	Torque Control Spring Bracket	8	EF150463	Toggle Switch, DPDT Center "OFF"
n/s	EF160138	Flat Washer, #10, Zinc	9	EF155425	High Pressure Cut-out
F	EF134632	Switch Bracket Mounting	10	EF155403	Low Pressure Cut-out
G	EF136959	Access Hole Adjustment Cover	11	EF150146	Adder Deck
H	EF136388	Torque Switch			
I	EF160076	Screw, TRPM #10-24x1/2" S/S			
1	EF150155	Beater, Contactor			
2	EF150155	Compressor Contactor			
3	EF150155	Hopper Contactor			
4	EF150262	Timer, DOM/DOB Adj., w/Dipswitches & LED			
n/s	EF150119	Octal Socket			
5	EF150202	Mix Level Indicator			

refrigeration

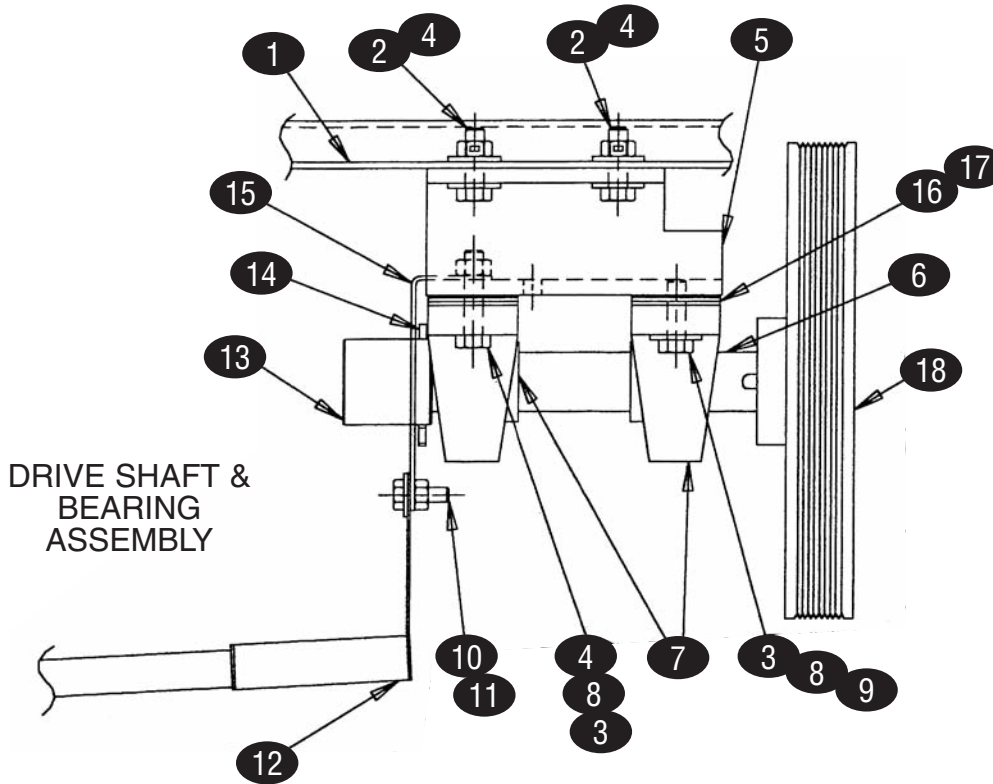
MODEL #812

SLUSH MACHINE

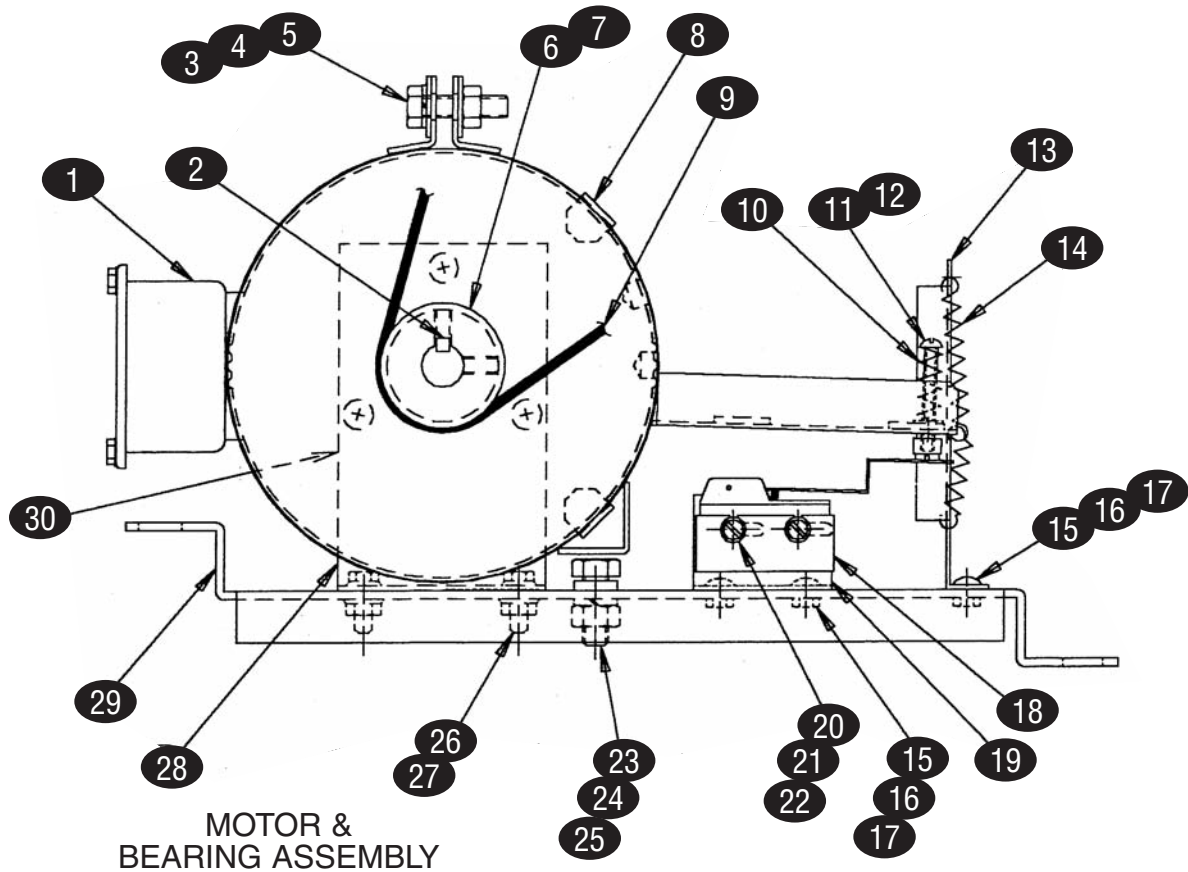
HAGAR

ELECTRO FREEZE

Having your **serial #** ready before ordering ElectroFreeze parts, when calling our sales staff, will ensure speed & accuracy.



KEY	PART #	DESCRIPTION	KEY	PART #	DESCRIPTION
1	EF118777	Cylinder & Bearing Plate Assembly Mounting	17	EF135381	Bearing Shim, 24 GA
2	EF159944	Screw, Hex SF, 5/16-18x1", Zinc	18	EF153644	Sheave, 1" Bore, 8.00 OD
3	EF160131	Flat Washer, 5/16", Zinc	n/s	EF153322	Drive Key, 3/16sq x1-1/2"
4	EF159947	Nut, Hex SF, 5/16-18", Zinc	n/s	EF160495	Screw SK, Set 1/4-20x1/4", pkg of 5
5	EF139772	Mounting Bearing Plate			
6	EF120344	Drive Shaft			
7	EF153030	Pillow Block Bearing, 1"			
8	EF160011	Screw, Hex HC, 5/16-18x1-1/2", Zinc			
9	EF160142	Lock Washer, 5/16", Zinc			
10	EF159950	Screw, Hex SF, 1/4-20x1/2", Zinc			
11	EF159951	Nut, Hex SF, 1/4-20", Zinc			
12	EF118792	Drain Tube Assembly			
13	EF133415	Coupling Cap			
14	EF159248	Cotter Pin, 2-1/4"x1/8", Zinc			
15	EF139773	Drain Tube Hanger			
16	EF135380	Bearing Shim			



KEY	PART #	DESCRIPTION	KEY	PART #	DESCRIPTION
1	EF117342	Beater Motor Assembly includes	17	EF160470	Lock Washer, #8, Zinc
	EF150293	Run Capacitor	18	EF136388	Torque Switch
	EF150294	Start Capacitor	n/s	EF135004	Switch Cover, Bottom
2	EF153322	Drive Key, 3/16sq x1-1/2"	19	EF134632	Bracket, Switch Mounting
3	EF160010	Screw, Hex HC, 5/16-18x1-1/4", Zinc	20	EF160156	Screw, TRHM #632x1-1/4", S/S
4	EF159220	Lock Nut, 5/16-18", Zinc	21	EF160309	Hex Nut, #6-32, Zinc
5	EF160131	Flat Washer, 5/16", Zinc	22	EF160393	Flat Washer, #6, Brass
6	EF153635	Flywheel, Driver Sheave	23	EF160013	Screw, Hex HC 3/8-16x1", Zinc
7	EF160495	Screw SK, Set 1/4-20x1/4"	24	EF160453	Nut, Hex 3/8-16", Zinc
8	EF116968	Motor Band Assembly	25	EF160143	Lock Washer, 3/8", Zinc
9	EF153124	Poly V-Belt	26	EF159948	Screw, Hex SF 1/4-20", Zinc
10	EF162346	Spring, Adjusting Screw	27	EF159951	Nut, Hex SF 1/4-20", Zinc
11	EF196015	Adjusting Screw, RD HD	28	EF117282	Retainer Bearing Assembly
n/s	EF160092	Cap Nut, #10-32, Nylon	29	EF118903	Motor Plate Assembly Adj
12	EF160138	Flat Washer, #10, Zinc	30	EF117283	Retainer Bearing Assembly
13	EF134661	Bracket, Spring Torque Control			
14	EF162338	Torque Extension Spring			
15	EF160049	Screw, TRPM, #8-32x1/2", S/S			
16	EF160102	Hex Nut, #8-32, Zinc			

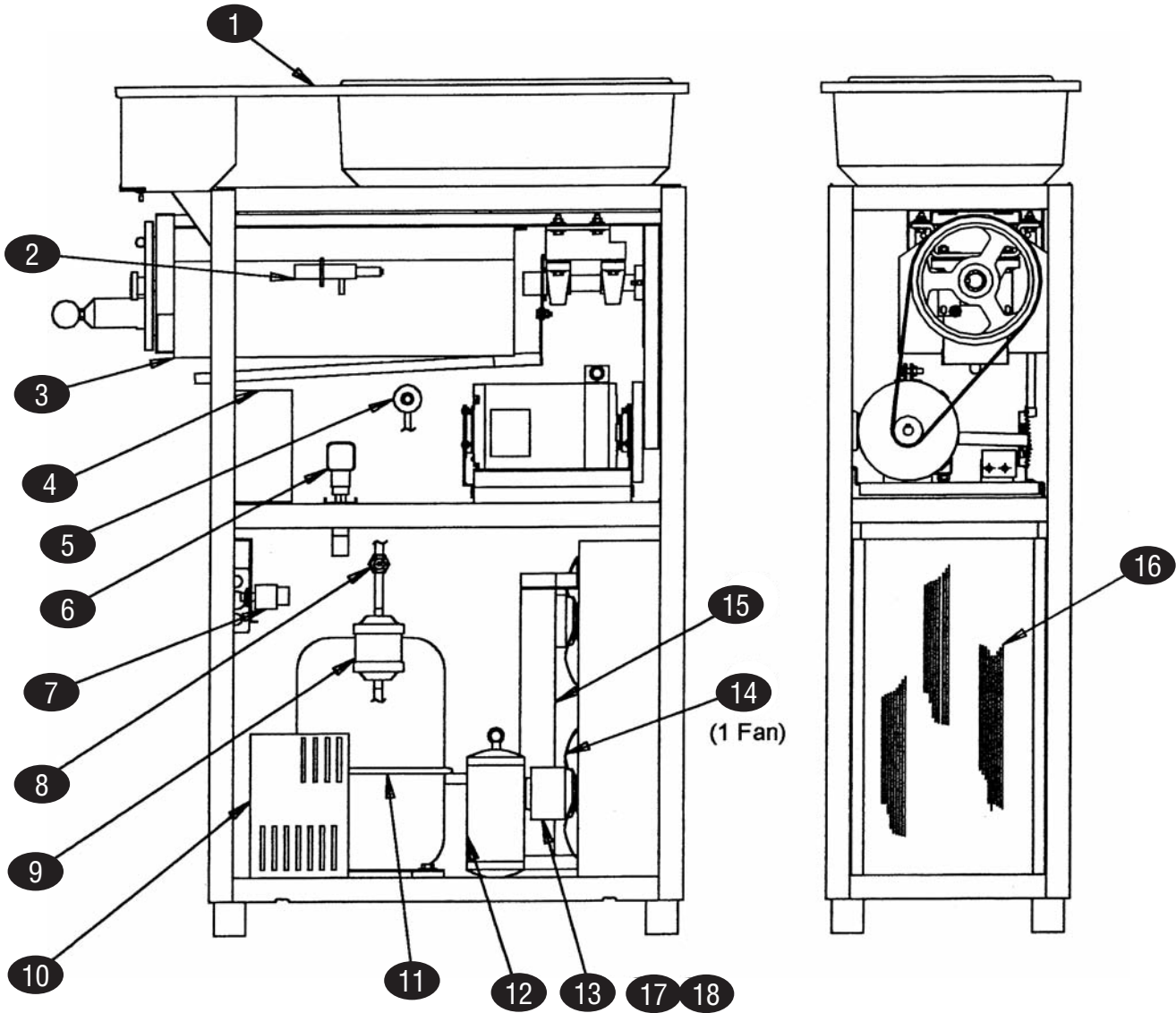
refrigeration

MODEL #812

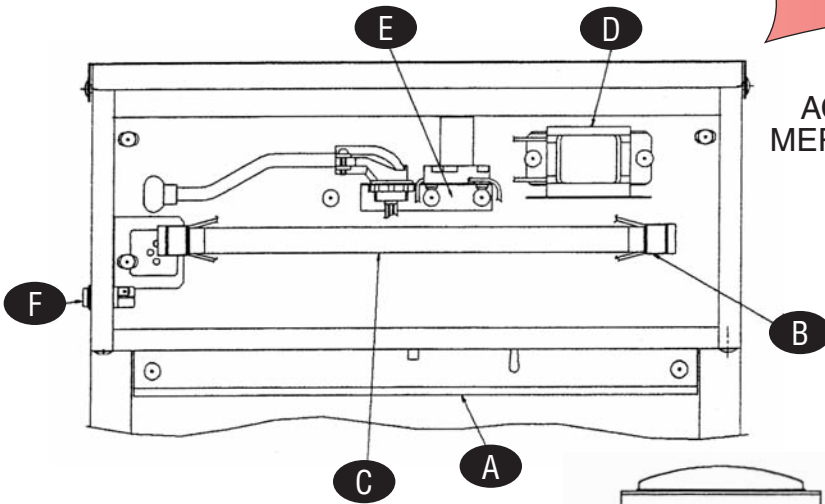
SLUSH MACHINE

HAGAR

ELECTRO FREEZE



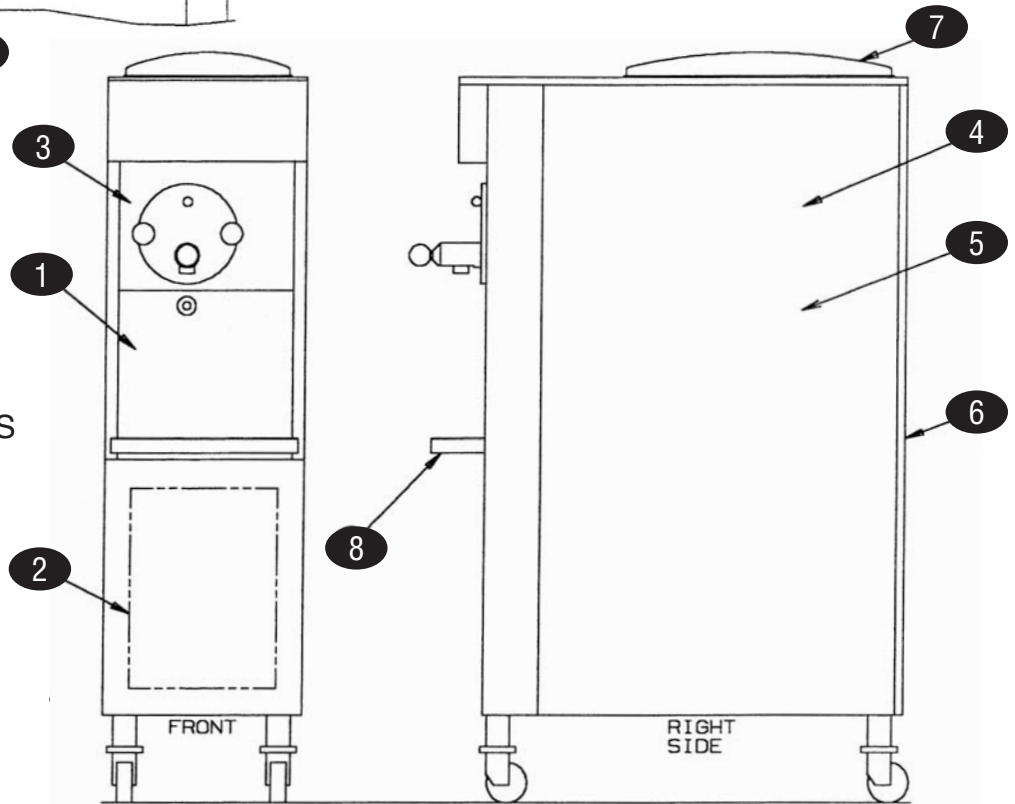
KEY	PART #	DESCRIPTION	KEY	PART #	DESCRIPTION
1	EF118783	Hopper & Top Panel Assembly	n/s	EF150399	Run Capacitor
2	EF155449	Automatic Expansion Valve	n/s	EF155054	Drier Filter, 16 cubic inches
3	EF118779	Complete Cylinder Assembly	n/s	EF150401	Relay
4	EF116979	Capacitor & Relay Box Assembly	12	EF155057	Receiver, 3lb
n/s	EF150293	Run Capacitor	13	EF151084	Fan Motor, 1/10Hp, 1-Phase, 208/230V
n/s	EF150294	Start Capacitor	14	EF159021	Fan Blade, 14", 19/20°
5	EF155451	Automatic Expansion Valve	15	EF118787	Condenser Shroud Assembly
6	EF155421	Solenoid Valve, 208/240V	16	EF155125	Air Condenser
7	EF161202	Fixed Differential Thermostat, 5°	17	EF117471	Fan Bracket Assembly
8	EF155059	Sight Glass	18	EF139235	Bracket, Fan Motor Support
9	EF155054	Filter Drier			
10	EF151362	Capacitor & Relay Box Assembly			
n/s	EF150398	Start Capacitor			
n/s	EF150399	Run Capacitor			
n/s	EF150401	Relay			
11	EF118234	Compressor, 1-Phase, 60Hz, 208/230V			
n/s	EF150398	Start Capacitor			



ACCESSORY
MERCHANTISER

Having your **serial #** ready before ordering ElectroFreeze parts, when calling our sales staff, will ensure speed & accuracy.

UNIT
PANELS



KEY	PART #	DESCRIPTION	KEY	PART #	DESCRIPTION
A	EF117780	Illuminated Sign Assembly w/Mounting			
B	EF150574	Bulb Socket			
C	EF150578	Fluorescent Bulb			
D	EF150577	Fluorescent Ballast			
E	EF150576	Fluorescent Starter			
F	EF150485	Rocker Switch, SPST			
1	EF116994	Panel Assembly, Front			
2	EF132453	Louvered Panel, Front			
3	EF137224-01	Dispense Panel			
4	EF132277-C	Side Panel, RH			
5	EF138810-C	Side Panel, LH			
6	EF139856-C	Panel, Rear, 16"			
n/s	EF118788	Panel Assembly, Rear, 16"			
7	EF196121	Hopper Cover			
8	EF196119	Drip Tray, Black, 16"			