

refrigeration

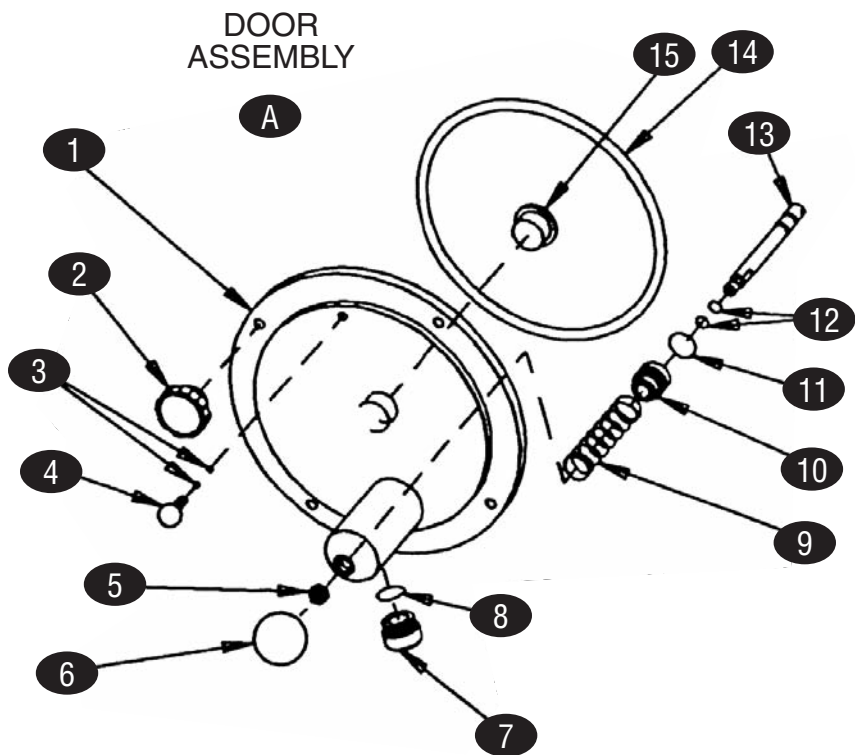
MODEL #876

HAGAR

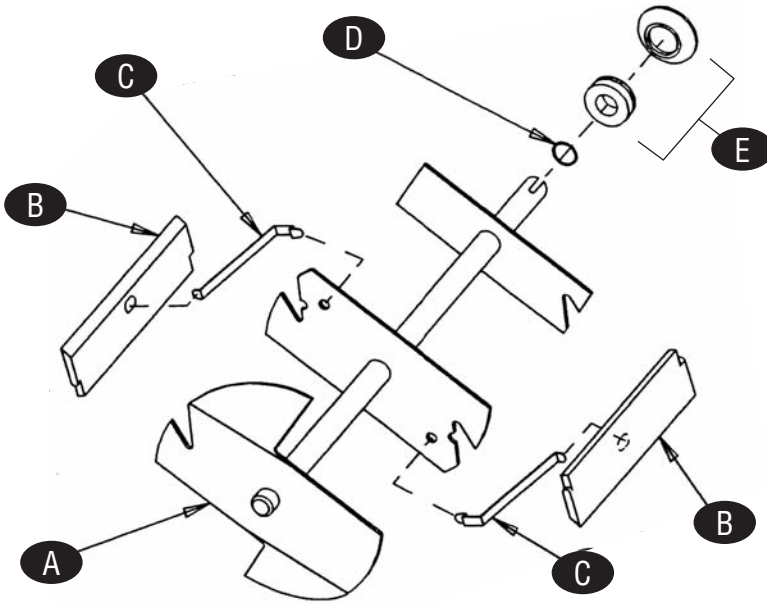
ELECTRO FREEZE

SLUSH MACHINE

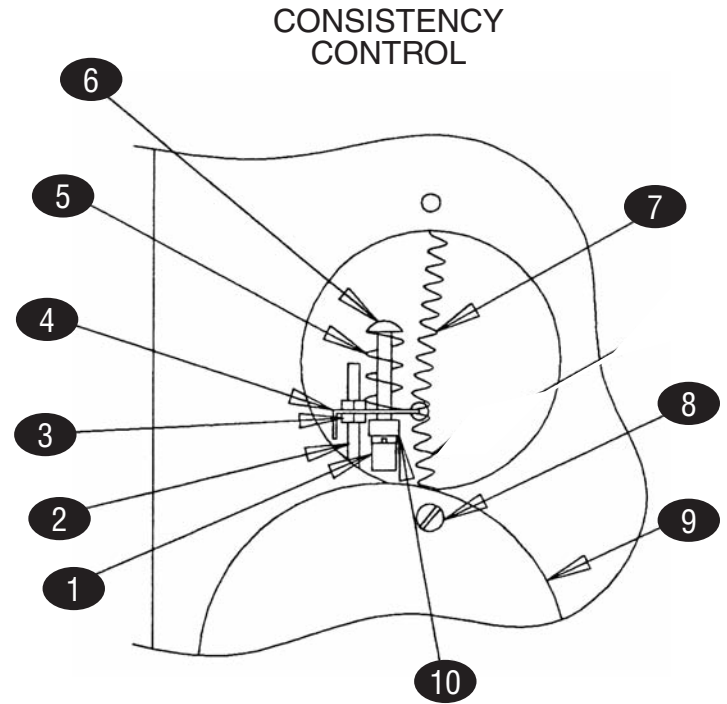
Having your **serial #** ready before ordering ElectroFreeze parts, when calling our sales staff, will ensure speed & accuracy.



KEY	PART #	DESCRIPTION	KEY	PART #	DESCRIPTION
A	EF114700	Complete Door Assembly			
1	EF114989	Door only			
2	EF162633	Hand Knob			
3	EF160561	O-Ring Plug, pkg of 10			
4	EF115416	Plug Assembly, Air Relief			
5	EF139274	Nut, Piston Rod			
6	EF162629	Ball Knob			
7	EF136249-01	Nozzle			
8	EF160582	O-Ring Nozzle, pkg of 10			
9	EF162319	Plunger Spring			
10	EF136253	Plunger			
11	EF160582	O-Ring Plunger, pkg of 10			
12	EF160610	O-Ring Rod, pkg of 10			
13	EF113999	Plunger Rod Assembly			
14	EF160606	Quad Ring			
15	EF138336	Door Reel Bushing			
n/s	EF116276	Tune-up Kit			



BEATER SHAFT ASSEMBLY



CONSISTENCY CONTROL

KEY	PART #	DESCRIPTION	KEY	PART #	DESCRIPTION
A	EF113072	Beater Shaft Reel	8	EF160076	Screw
B	EF138256	Scraper Blade	n/s	EF159132	Speed Nut
C	EF134649	Blade Spring	9	EF136959	Adjustment Hole Cover
D	EF160605	Quad Ring, pkg of 5	10	EF160092	Cap Nut, #10-32, Nylon
E	EF116143	Shaft Seal Assembly			
1	EF114277	Torque Switch w/Leads			
	EF150457	Torque Control Switch			
2	EF159999	Screw, #8-32			
n/s	EF162118	Button Bumper			
3	EF160102	Hex Nut, #8-32			
4	EF116414	Torque Arm Assembly			
5	EF162346	Spring, Adjusting Screw			
n/s	EF160138	Flat Washer, #10			
6	EF196015	Adjusting Screw			
7	EF162338	Torque Extension Spring, Slush			

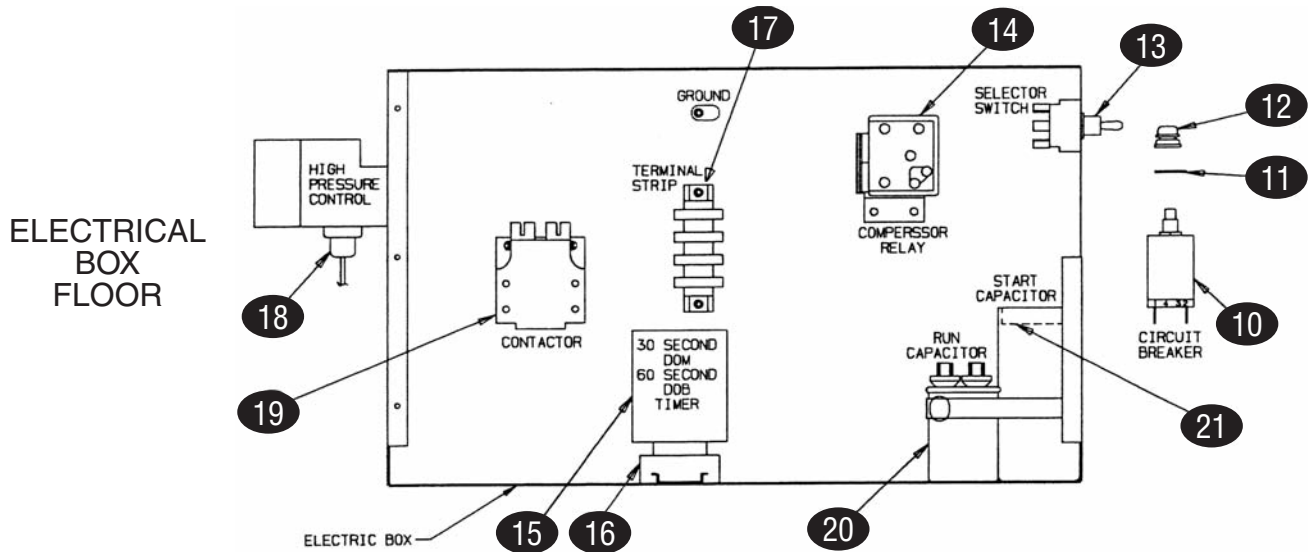
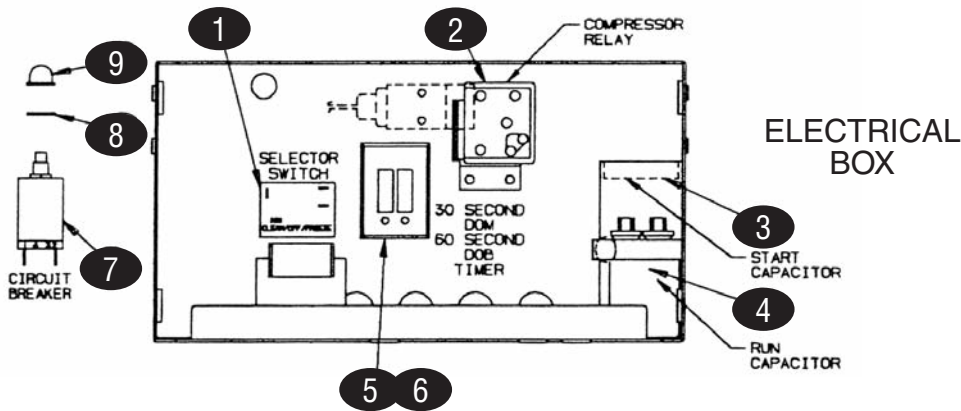
refrigeration

MODEL #876

SLUSH MACHINE

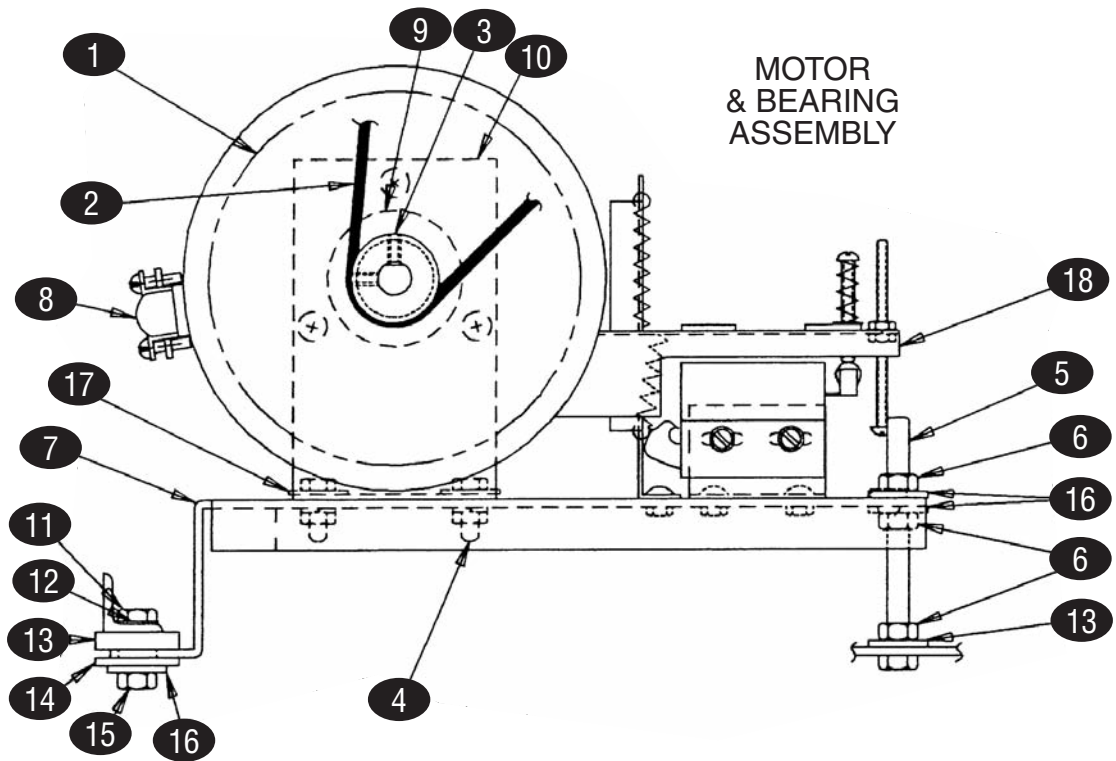
HAGAR

ELECTRO FREEZE



KEY	PART #	DESCRIPTION	KEY	PART #	DESCRIPTION
1	EF115816	Switch Kit	15	EF150263	Time Delay Relay, 120V
2	EF151427	Relay	16	EF150119	Socket, Octal Terminal
3	EF151426-01	Start Capacitor	17	EF150795	Terminal Strip
4	EF151421	Run Capacitor	18	EF155425	High Pressure Cut-out
5	EF150263	Time Delay Relay, 120V	19	EF150339	Contactor, 2 Pole, 110V
6	EF150119	Socket, Octal Terminal	20	EF151421	Run Capacitor
7	EF150452	Circuit Breaker, 4.5A (above serial #591)	21	EF151426-01	Start Capacitor
	EF150451	Circuit Breaker, 4.5A (serial #591 & below)	n/s	EF161202	Thermostat, Hopper
8	EF160160	Washer			
9	EF150440	Seal, Reset Button			
n/s	EF161202	Thermostat, Hopper			
n/s	EF150384	Relay, Hopper, 120V			
n/s	EF161202	Thermostat, Cylinder			
n/s	EF150124	Liquid Level Control			
10	EF150452	Circuit Breaker, 4.5A (above serial #591)			
11	EF160160	Washer			
12	EF150440	Reset Button Seal			
13	EF150465	Toggle Switch, 3PDT			
	EF150463	Toggle Switch, DPDT			
14	EF151427	Compressor Relay			

Having your **serial #** ready before ordering ElectroFreeze parts, when calling our sales staff, will ensure speed & accuracy.



KEY	PART #	DESCRIPTION	KEY	PART #	DESCRIPTION
1	EF116584	Motor Kit, Floor Model	n/s	EF115791	Bearing, Retainer Assembly, Rear
	EF116585	Motor Kit, Counter Model	11	EF160009	Screw, Hex 5/16"-18x1", Zinc
2	EF153139	Belt, Counter Model	12	EF160130	Flat Washer, 1/4", Zinc
	EF153125	Belt, Floor Model	13	EF199012	Rubber Washer
3	EF153610	Flywheel, Driver Sheave	14	EF162562	Rubber Spacer
n/s	EF160495	Screw, SK Set, pkg of 5	15	EF159220	Lock Nut, 5/16-18", Zinc
4	EF160021	Screw, Hex HC 14/-20x3/4", Zinc	16	EF160131	Flat Washer, 5/16", Zinc
n/s	EF160141	Lock Washer, 1/4", Zinc	17	EF160130	Flat Washer, 1/4", Zinc
n/s	EF160104	Hex Nut, 1/4"-20, Zinc	18	EF116414	Torque Arm Assembly
5	EF163416	Stud, 5/6-18x5"	n/s	EF115923	Drain Tube Assembly
n/s	EF160036	Screw, Hex 5/16-18x3-1/2"			
6	EF160105	Nut, Motor Assy, 5/16-18", Zinc			
7	EF138717	Motor Plate			
8	EF150705	Connector, 3/8"x90°			
n/s	EF150665	Conduit, 1/2" Thinwall Extraflex			
9	EF153027	Bearing, Motor Mount			
10	EF115790	Bearing, Retainer Assembly, Front			

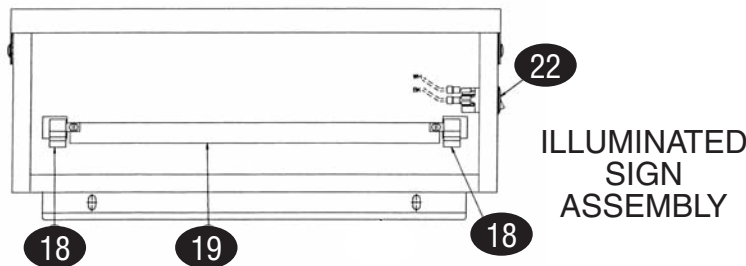
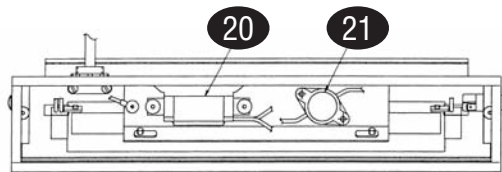
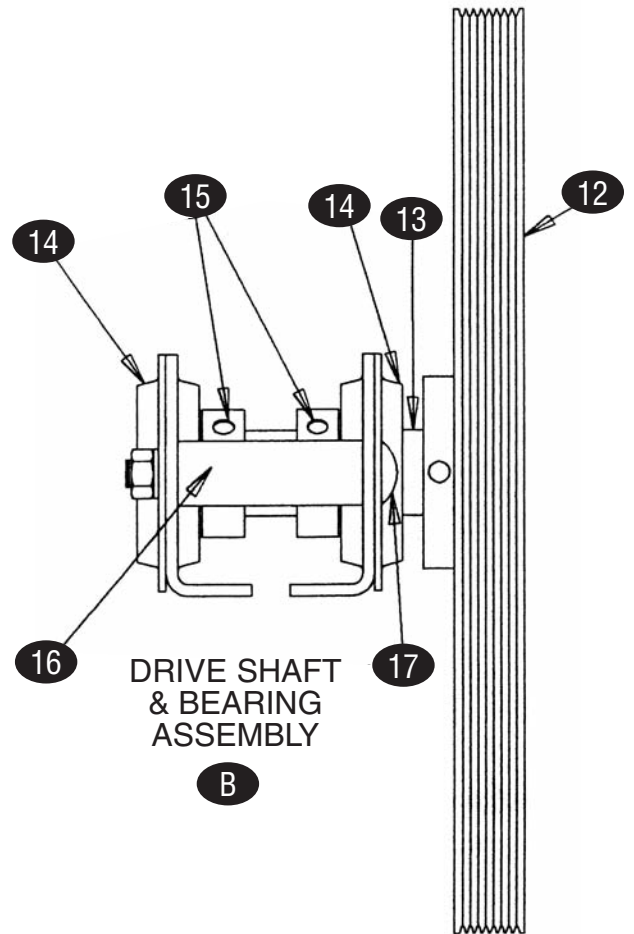
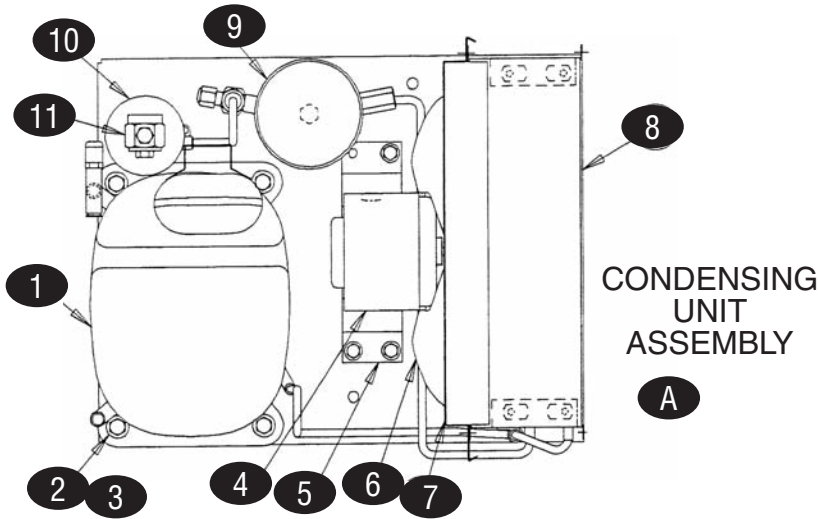
refrigeration

MODEL #876

HAGAR

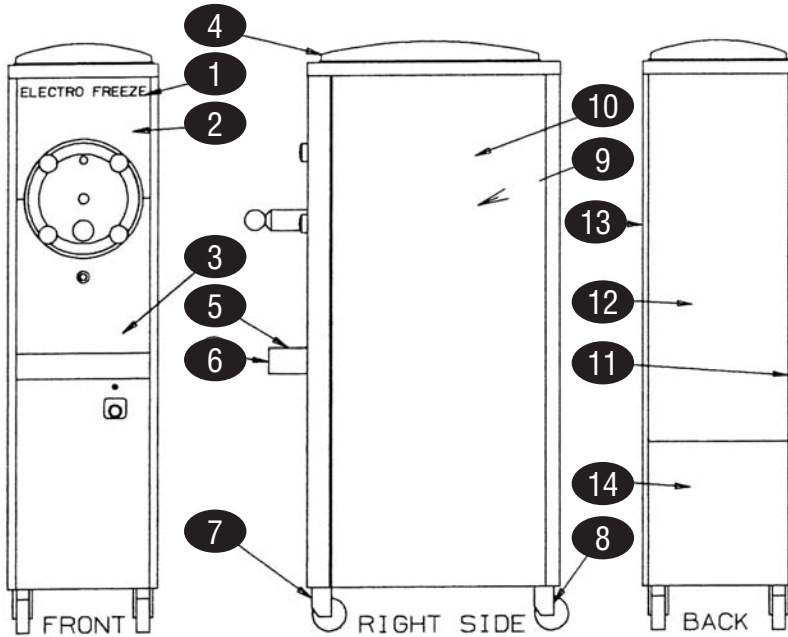
ELECTRO FREEZE

SLUSH MACHINE



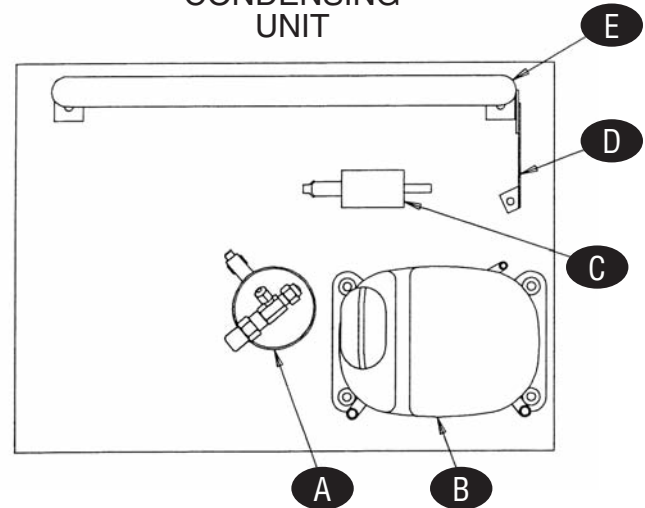
KEY	PART #	DESCRIPTION	KEY	PART #	DESCRIPTION
A	EF116869	Complete Condensing Unit Assembly, 3/4Hp	14	EF153127	Plate, Retainer Bearing
1	EF116824	Compressor Assy, (incl. next 3 items below & #10)	n/s	EF153128	Stamping, Bearing Base
n/s	EF151427	Start/Run Relay	15	EF153013	Bearing, Drive Quill w/Lock Ring
n/s	EF151426-01	Start Capacitor	16	EF130189	Bearing Spacer, Rear
n/s	EF151421	Run Capacitor	17	EF160407	Carriage Bolt, 3/8-16x3-1/4"
2	EF151431	Grommet, Compressor Mounting	n/s	EF160143	Lock Washer, 3/8"
3	EF151432	Sleeve, Compressor Mounting	18	EF150574	Bulb Socket
4	EF151074-01	Fan Motor, 35W 115V	19	EF150578	Fluorescent Bulb
5	EF137632	Bracket, Fan Condenser	20	EF150577	Fluorescent Ballast
6	EF159020	Fan Blade, 11" 26°	21	EF150576	Fluorescent Starter
7	EF138668	Condenser Shroud	22	EF150485	Rocker Switch
8	EF155126-C	Air Condenser			
9	EF155060	Receiver, 2lb 1/4" Sweat			
10	EF155063	Drier			
11	EF155459	Sight Glass			
n/s	EF155410	Water Valve, 3/8"			
B	EF112843	Complete Bearing Assembly			
	EF112862	Bearing Assy, Rear			
12	EF153615	Pulley			
13	EF112842	Quill, Assembly Drive			

UNIT PANELS



Having your **serial #** ready before ordering ElectroFreeze parts, when calling our sales staff, will ensure speed & accuracy.

CONDENSING UNIT



KEY	PART #	DESCRIPTION	KEY	PART #	DESCRIPTION
1	EF165181	Electro Freeze Nameplate	10	EF136964-C	Side Panel, RH
2	EF113836-C	Panel, Upper Front	11	EF136960-C	Post, Rear Corner LH
	EF116925	Panel Assy, Upper Front (w/Mix Indicator & Night Switch)	12	EF136962-C	Panel, Rear
	EF116926	Panel Assy, Upper Front (w/Night Switch, Illuminated Sign, & Bottle Rack)	13	EF136961-C	Post, Rear Corner RH
3	EF113835-C	Panel Assembly, Lower Front	14	EF139398	Panel, Lower Rear
n/s	EF159064	Grommet, Drain Tube	n/s	EF150546	Indicator Light, 125V
4	EF196121	Hopper Cover	n/s	EF165065	Decal Cleaning Instructions
n/s	EF116066-C	Panel Assembly, Hopper & Top	A	EF155060	Receiver, 2lb Sweat
n/s	EF116075-C	Panel Assembly, Hopper & Top	B	EF116824	Compressor Assembly, 115-1-60
5	EF136064	Drip Tray Insert	n/s	EF151421	Run Capacitor
	EF138174	Drip Tray Insert (w/Night Switch, Illuminated Sign, & Bottle Rack)	n/s	EF151426-01	Start capacitor
6	EF136065	Drip Tray	n/s	EF151427	Relay
	EF117529	Drip Tray Insert (w/Night Switch, Illuminated Sign, & Bottle Rack)	n/s	EF155063	Drier Filter
7	EF162105	Caster, w/Brake	C	EF155410	Water Valve
8	EF162106	Caster, w/out Brake	n/s	EF155444	Kit, Water Valve Repair
n/s	EF112978	Leg Assembly, 6"	D	EF134440	Bracket, Condenser Support
9	EF136963-C	Side Panel, LH	E	EF155038	Water Condenser