

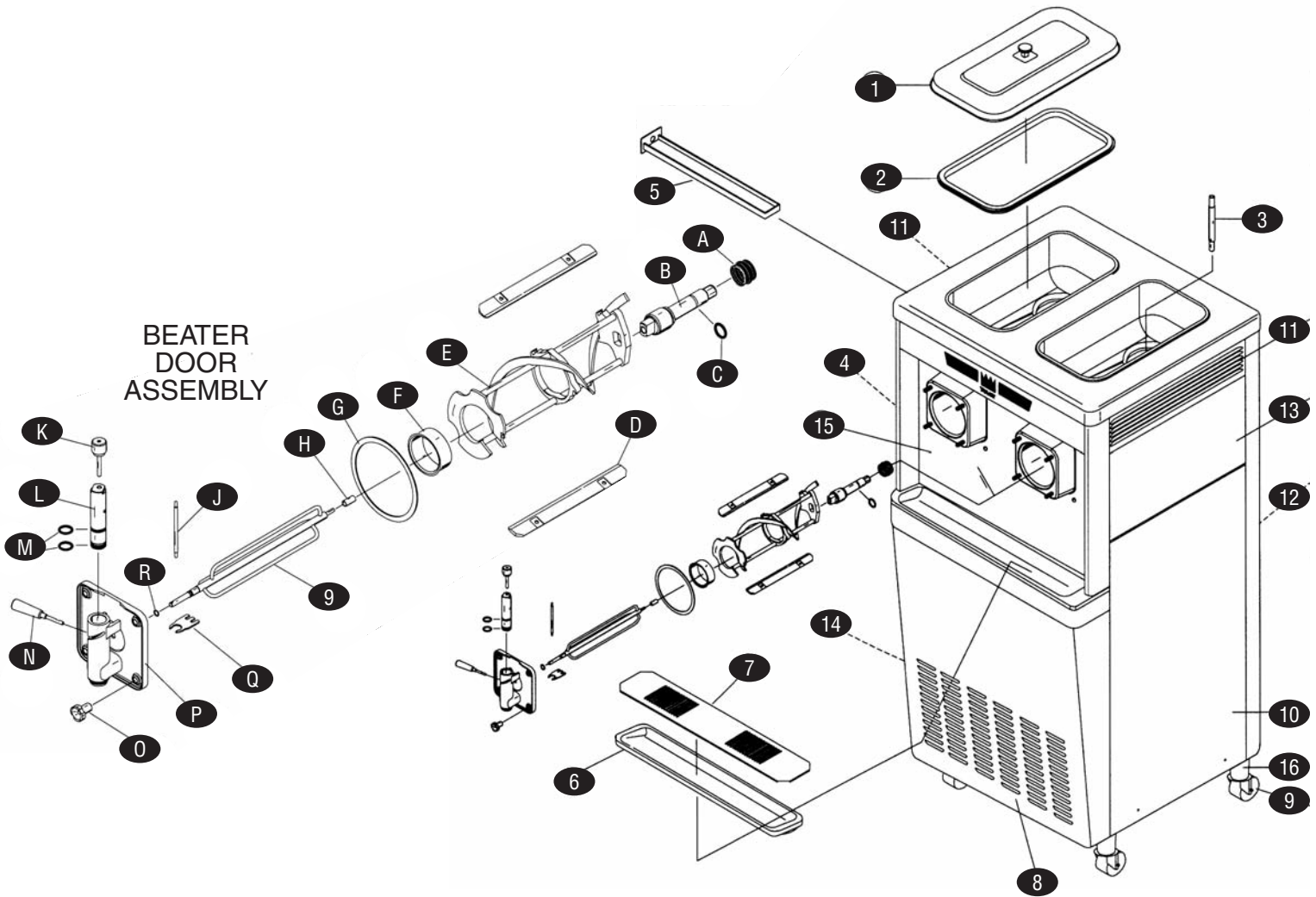
refrigeration

MODEL #342

SLUSH MACHINE

HAGAR

Taylor



KEY	PART #	DESCRIPTION	KEY	PART #	DESCRIPTION
A	TL032560	Drive Shaft Seal	1	TLX38458	Hopper Cover, A
B	TL035418	Beater Shaft	2	TL038375	Hopper Cover Gasket
C	TL025307	O-Ring, 7/8x.139	3	TL015176-9	Feed Tube
D	TL024785	Plastic Blade Scraper, 2-Hole	4	TL028700	Upper Panel, LH
E	TLX13693	Beater A, 7 Qt. 2 Pin	5	TL027503	Drip Pan
F	TL013116	Front Bearing	6	TL014533	Drip Tray
G	TL014030	Door Gasket, 5.109x5.63	7	TL037041	Splash Shield
H	TL014496	Guide Bearing	8	TL024439-SP1	Service Panel
I	TLX14488	Torque Assembly	9	TL018794	Caster Wheel
J	TL014500	Torque Arm	10	TLX44855	Lower Panel A, RH
K	TLX25929	Valve A, Handle Pin	11	TL017471	Side Louver, Left/Right
L	TL047734	Draw Valve	12	TL017563	Rear Panel
M	TL032504	O-Ring, 1x.139	13	TL028701	Upper Panel, RH
N	TLX25124	Handle A, Draw, Slush	14	TLX44853	Lower Panel A, LH
O	TL029880	Stud Nut	15	TLX25807	Front Panel, A
P	TLX39248	Partial Door, A	16	TLX18915	Caster Adapter, A
Q	TL047735	Ice Buster			
R	TL018550	O-Ring, .291x.080			