

refrigeration

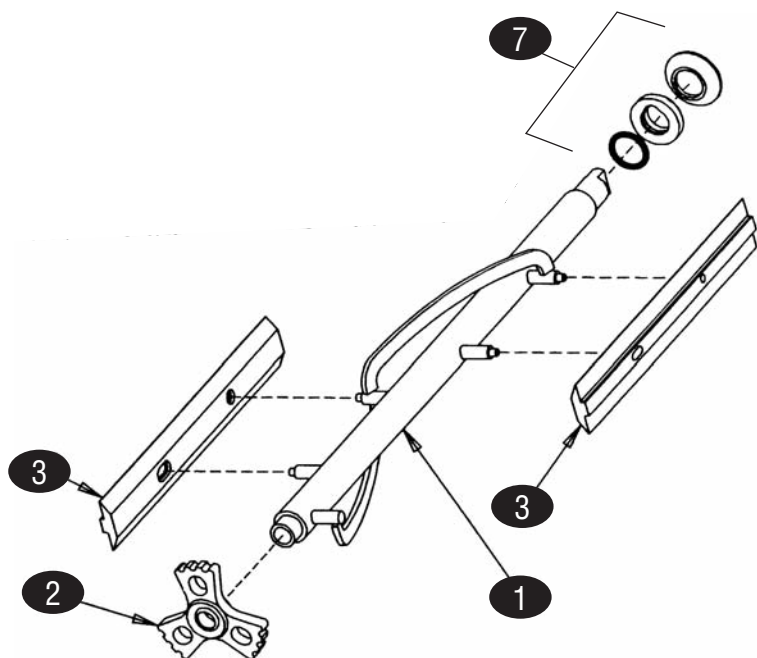
SOFT SERVE #30CMT

HAGAR

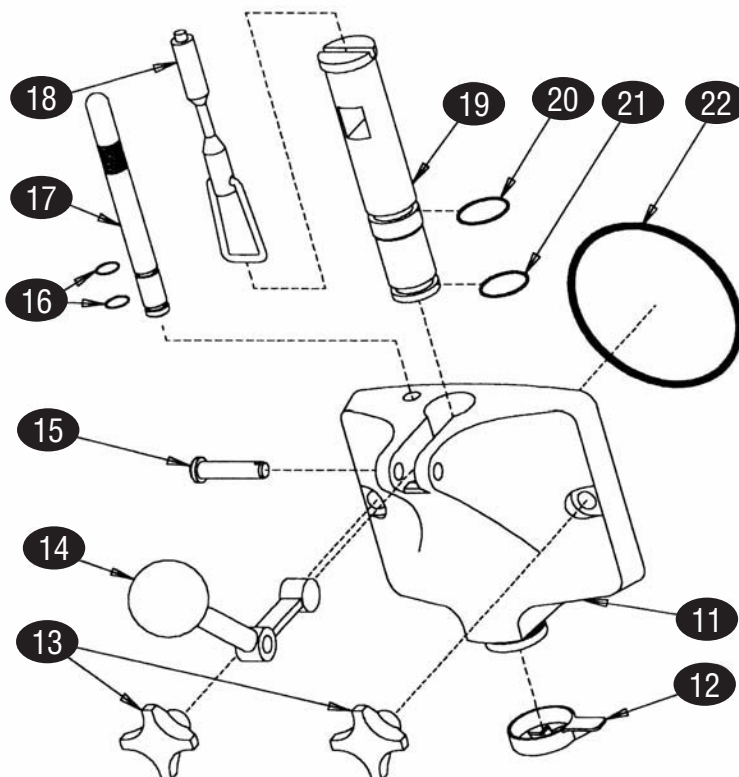
ICE CREAM MACHINE

ELECTRO FREEZE

Having your **serial #** ready before ordering ElectroFreeze parts, when calling our sales staff, will ensure speed & accuracy.

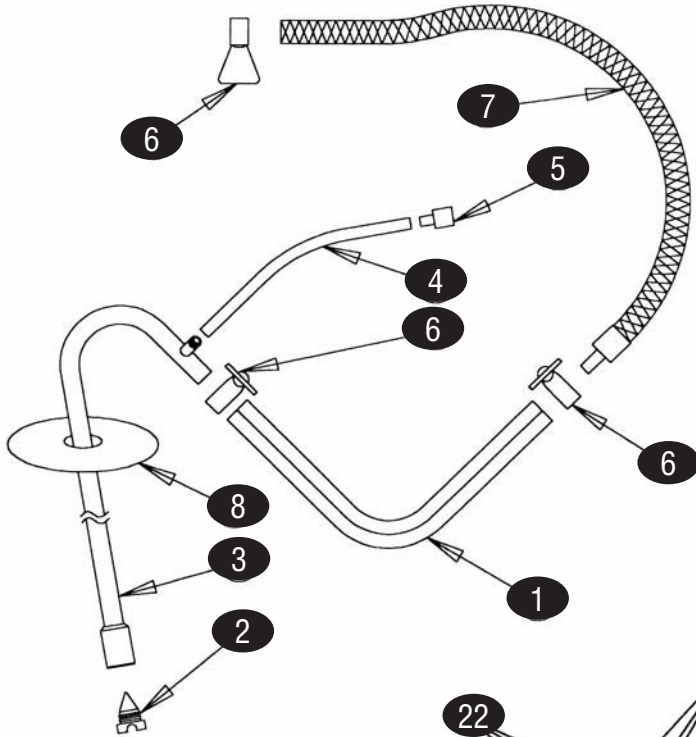


BEATER SHAFT ASSEMBLY

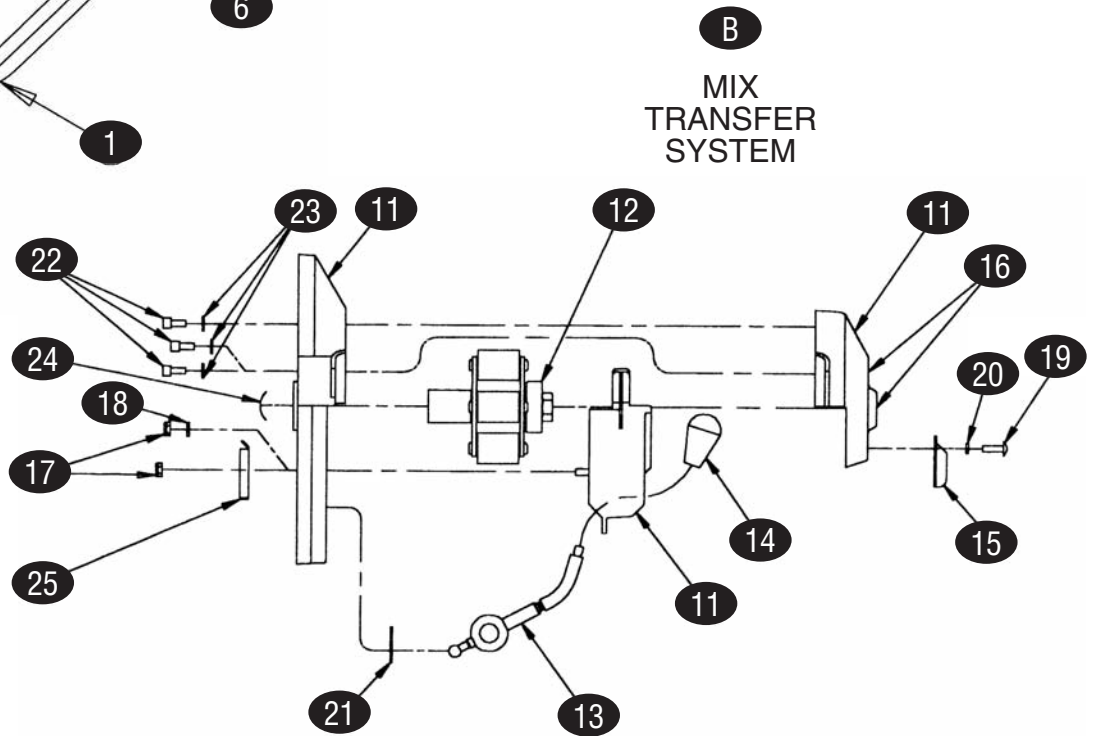


HEAD ASSEMBLY

KEY	PART #	DESCRIPTION	KEY	PART #	DESCRIPTION
1	EF113438	Beater Shaft	21	EF160582	O-Ring, Lower Plunger, pkg of 10
2	EF196085	Cylinder Bushing	22	EF159309-01	O-Ring, Head
3	EF137334	Blade Scraper, Soft Serve	n/s	EF116410	Switch, Head Safety
7	EF111875	Shaft Seal Assembly	n/s	EF114341	Cylinder Stud Assembly, 1-15/16"
n/s	EF118902	Head Assembly Complete, Single Spigot	n/s	EF116100	Tune Up Kit
11	EF118566	Head only			
12	EF196185	Serrated Nozzle			
13	EF136798	Hand Knob, Soft Serve side			
14	EF110007	Dispense Handle Assembly, includes			
n/s	EF162629	Ball Knob, Black, 3/8-16", TH			
15	EF160268	Handle Pin			
16	EF160610	O-Ring Plug, pkg of 10			
17	EF138149	Plug, Air Bleed			
18	EF113426	Push Rod Assembly, Plunger Switch			
19	EF139581	Dispense Plunger, Self Close			
20	EF160501	O-Ring, Upper Plunger, pkg of 5			



HOSE ASSEMBLY



B
MIX
TRANSFER
SYSTEM

KEY	PART #	DESCRIPTION	KEY	PART #	DESCRIPTION
1	EF138184	Transfer Hose Line, Black	18	EF160157	Washer, 1/2x.196x1/6"
2	EF199032	Duckbill Inlet Valve, pkg of 5	19	EF160026	Screw, TRPM, #10-32x5/8"
3	EF116069	Pickup Tube Assembly	20	EF160158	Flat Washer, .190x.365x.075, S/S
4	EF138170	Air Tube Hose	21	EF138142	Cover Plate, Pivot
5	use meter#	Air Meter	22	EF160307	Screw, SKHC, #10-32x7/16", S/S
6	EF116065	Soft Hose Clamp Assembly, 5/8"	23	EF159962	Flat Washer, #10, S/S
7	EF116094	Hose Assembly, Mix, Braided	24	EF160145	Curved Spring Washer
8	EF199033	Boot Seal, Mix Tube	25	EF117125	Slide Actuator Assembly
B	EF116012	MTS Housing Assembly, Complete	n/s	EF159219	Mounting Screw, MTS, TRPM, 1/4-20x1", S/S
11	EF117054	Housing Assy, MTS, w/o Roller	n/s	EF151129	Gear Motor, MTS
12	EF116009-01	Roller Kit, CMT	n/s	EF116312	Pressure Test Gauge Assembly
13	EF116164	Handle Assembly, MTS	n/s	EF116411	Slide Switch Kit, MTS
14	EF162627	Oval Taper Knob, MTS			
15	use meter#	Swing Hook Lock, MTS			
16	EF165018	Decal, Mix Transfer			
17	EF159421	Stop Nut, EL, #10-32			

refrigeration

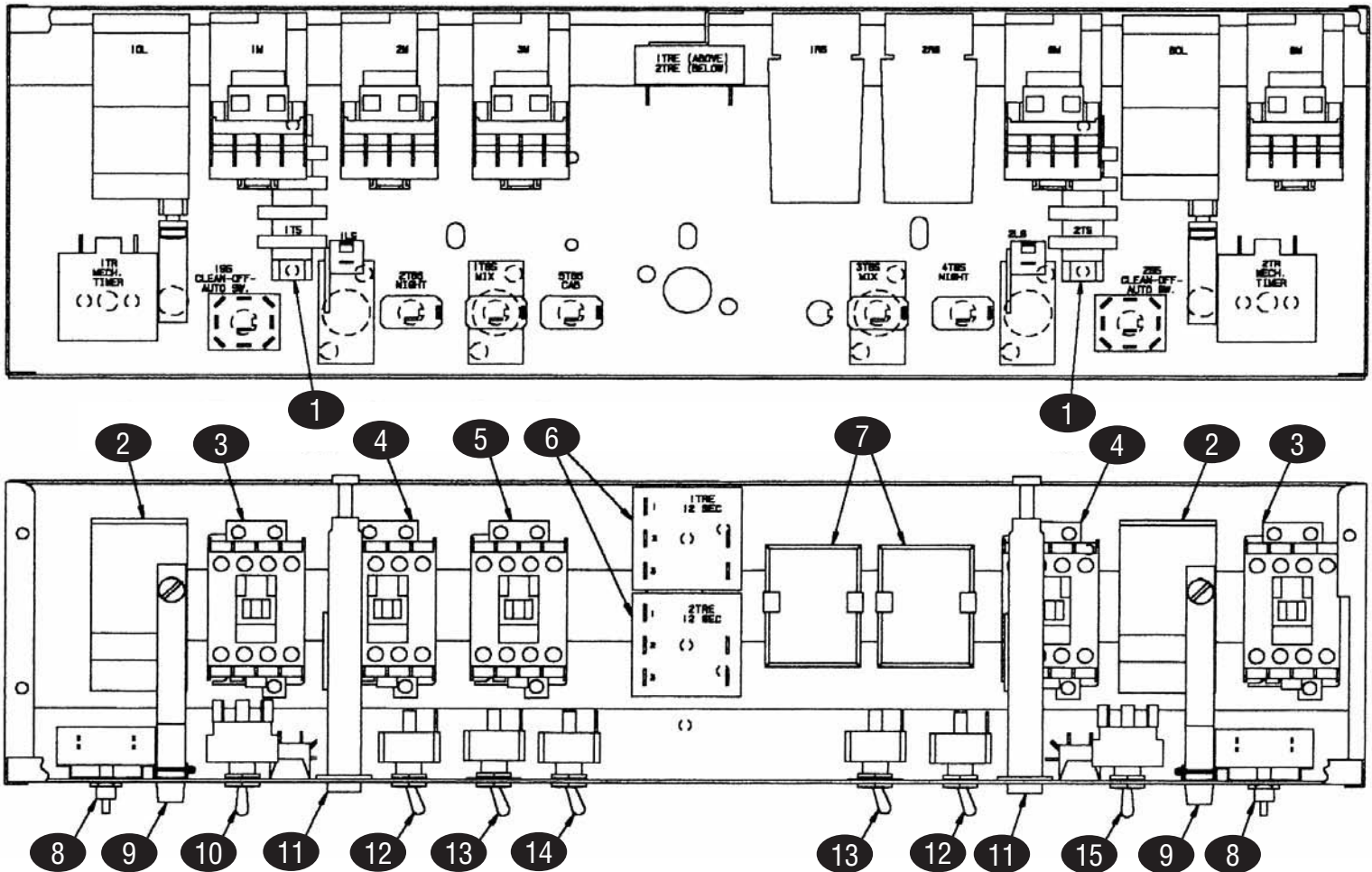
ICE CREAM MACHINE

SOFT SERVE #30CMT

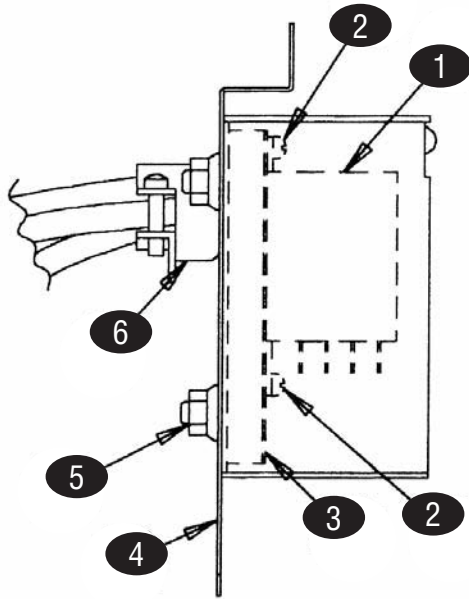
HAGAR

ELECTRO FREEZE

SWITCH BOX

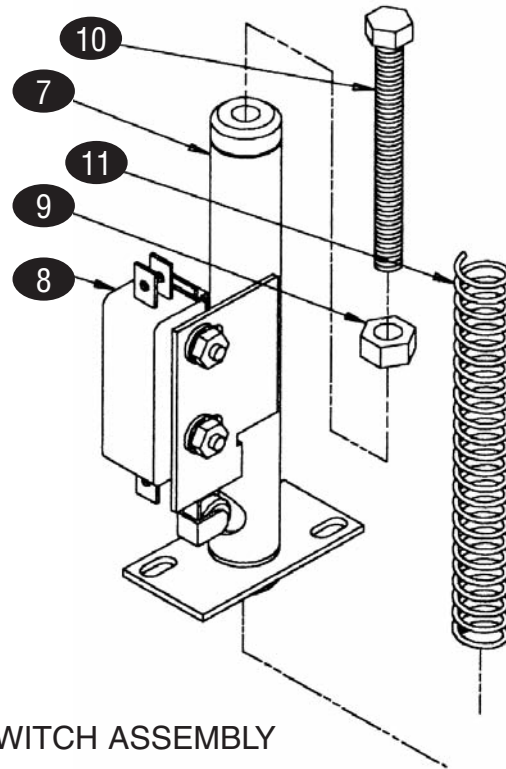


KEY	PART #	DESCRIPTION	KEY	PART #	DESCRIPTION
1	EF150795	Terminal Strip	8	EF119256	Timer, 5 Minute Mechanical
2	EF118359	Overload Relay Assy, 1-Phase, 5-15A, includes	n/s	EF162604	Timer Knob
	EF150140	SS Overload Relay, 1-Phase, 5-15A	9	EF118390	Overload Reset Lever Assembly, includes
	EF150145	Overload Din Rail Adaptor		EF159036	Reset Button
	EF150150	Overload Reset Adaptor Button	10	EF150465	Toggle Switch, 3PDT, ON/OFF/ON
2	EF118361	Overload Relay Assy, 3-Phase, 3.7-12A, includes	n/s	EF116125	Filter Assembly
	EF150142	SS Overload Relay, 3-Phase, 3.7-12A	11	EF114176	Self-Closing Plunger Switch Assembly, includes
	EF150145	Overload Din Rail Adaptor		EF150477	Roller Actuator Switch, SPDT
	EF150150	Overload Reset Adaptor Button		EF162323	Spring Compression
3	EF150155	Beater Motor Contactor	12	EF159235	Toggle Switch, SPST, Day/Night
4	EF150155	Compressor Contactor	13	EF159235	Toggle Switch, SPST, MTS
5	EF150155	Cabinet Contactor	14	EF159235	Toggle Switch, SPST, Cabinet
6	EF150208	Timer, 12 Sec Delay on Brake	15	EF150465	Toggle Switch, 3PDT, ON/OFF/ON
7	EF150202	Mix Level Indicator	n/s	EF117014	Cylinder Pressure Switch
n/s	EF150119	Octal Terminal Socket			
n/s	EF150540	Indicator Light, 230V			



RELAY BOX

Having your **serial #** ready before ordering ElectroFreeze parts, when calling our sales staff, will ensure speed & accuracy.



SWITCH ASSEMBLY

KEY	PART #	DESCRIPTION	KEY	PART #	DESCRIPTION
1	EF150381	Relay, MTS			
2	EF160308	Screw, RDHM #6-32X5/16" Zinc			
3	EF138159	Bracket, Flange Relay Mounting			
4	EF139805	Support, MTS			
5	EF159950	Screw, HXSF, 1/4-20X1/2" Zinc			
6	EF150828	Connector			
7	EF114174	Push Rod Guide Assembly			
8	EF150477	Roller Switch SPDT			
9	EF160104	Hex Nut, 1/4"-20 Zinc			
10	EF159965	Screw, HSHM, 1/4-20X2-1/2", Zinc			
11	EF162323	Spring Compression			

refrigeration

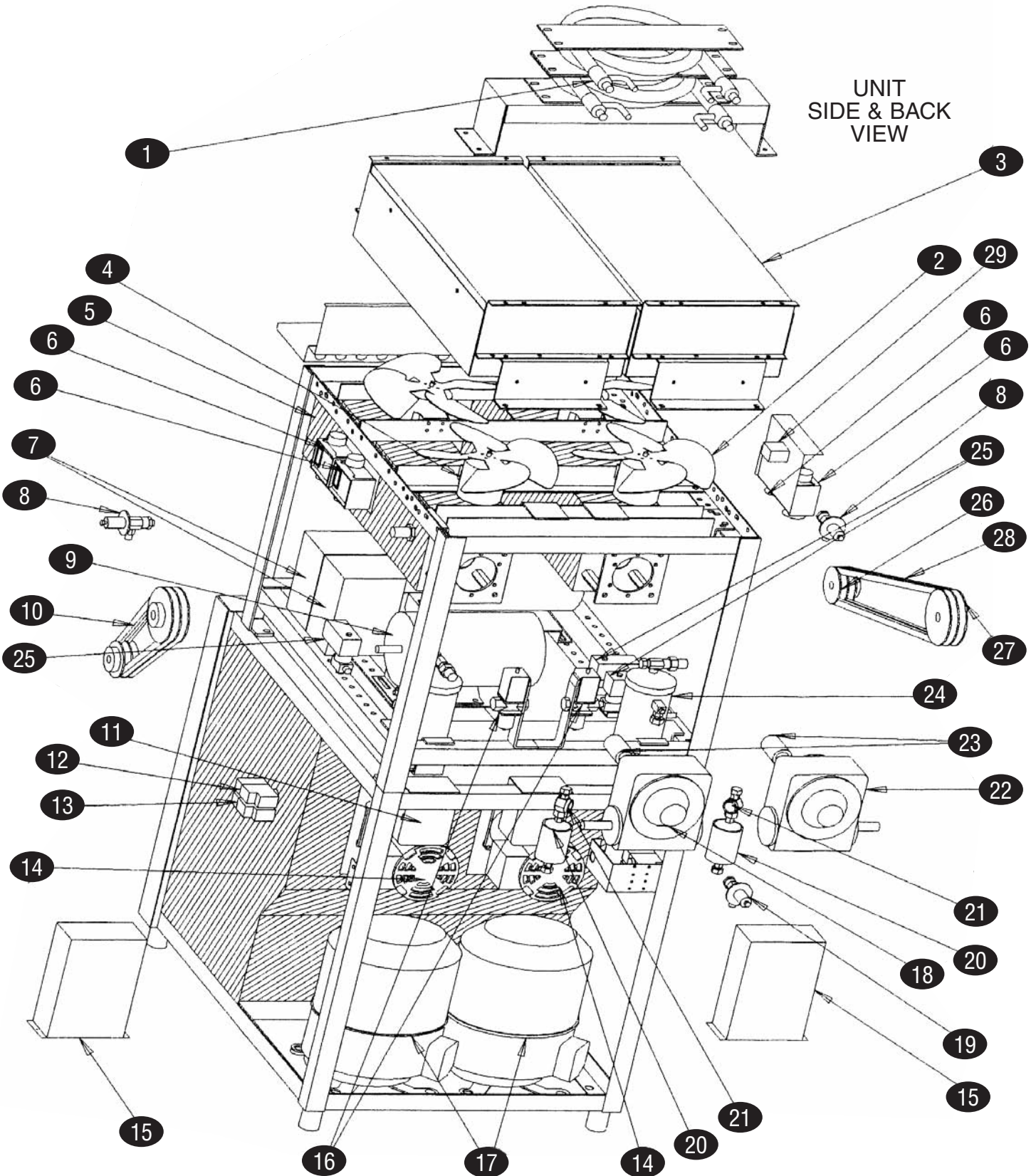
ICE CREAM MACHINE

SOFT SERVE #30CMT

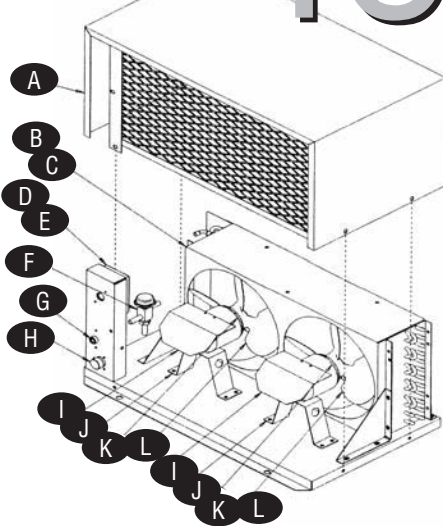
ELECTRO FREEZE

HAGAR

UNIT
SIDE & BACK
VIEW



CONDENSING UNIT



Most Condensers for ElectroFreeze Ice Cream Machines are Special Order. Please specify Model#, Phase & Voltage when ordering.

KEY	PART #	DESCRIPTION	KEY	PART #	DESCRIPTION
1	EF155029	Water Condenser, S1		EF155419	Access Valve
2	EF159023	Fan Blade, 11", 36°	17	EF118686	Compressor, 3-Phase, 208/230V
3	EF155120	Air Condenser		EF155054	Dryer Filter
4	EF151077-01	Fan Motor, 50W 230V 60Hz		EF151433	Grommet, Compressor Mounting
5	EF117014	Pressure Switch Kit		EF151434	Sleeve, Compressor Mounting
n/s	EF116410	Head Safety Switch		EF151146	Maneurop Compressor Mounting Kit
6	EF119989	Low Thermostat, Day	18	EF153371	Gear Reducer, RH
	EF119989	Low Thermostat, Night	19	EF155449	Automatic Expansion Valve, Cabinet
7	EF113442	Motor Box Assy Capacitors 1-Phase, includes	20	EF155054	Dryer Filter
	EF150872	Start Capacitor	21	EF155059	Sight Glass
	EF150318	Run Capacitor	22	EF153370	Gear Reducer, LH
8	EF155448	Automatic Cylinder Expansion Valve	23	EF111964	Coupling Assembly, Drive, 1"
9	EF151052	Beater Motor, Franklin, 2Hp, 3-Phase	24	EF155057	Receiver, 3lb, 3/8"ID
	EF118140	Motor & Cap Kit 2Hp 1-Phase		EF155043	Receiver, 12lb, 1/2" SAE
	EF150872	Start Capacitor	25	EF155421	Solenoid Valve
	EF150318	Run Capacitor	n/s	EF155434	Solenoid Valve Kit
	EF118254	Beater Motor, Leeson, 2Hp, 3-Phase	26	EF153626	Sheave, 7/8" Bore 3.250D
10	EF153162	Pulley Belt, RH		EF153322	Key, Drive, 3/16sqX1-1/2"
11		MTS Box Assembly (pictured only)		EF160495	Screw, SK Set ,5/16"-18x3/8"
12	EF155425	High Pressure Cut Out	27	EF153625	Sheave, 5/8" Bore 4.750D
13	EF155403	Low Pressure Cut Out		EF153322	Key, Drive, 3/16sqX1-1/2"
14	EF151129	Gearmotor 1/8Hp		EF160495	Screw, SK Set, 5/16-18x3/8"
15	EF151362	Capacitor & Relay Box Assy, 1-Phase, includes	28	EF153171	V-Belt, Set of 2
	EF150398	Start Capacitor	29	EF119310	Thermostat, Cabinet
	EF150399	Run Capacitor	n/s	EF117133	Condensate Pan Assembly
	EF150401	Start Relay	n/s	EF161216	Thermistor Sensor, 10K
	EF151447	Run Capacitor, 1-Phase	A	EF117207	Condenser Cover Assembly
	EF151448	Compressor Start Cap & Relay Kit, 1-Phase	B	EF155120	Air Condenser
16	EF112080	Water Valve Assembly, includes	C	EF138465	Fan Shroud
	EF155410	Water Valve, 3/8"	D	EF150732	Electric Box, 2-3/4x4-1/2x2"
n/s	EF155444	Water Valve Repair Kit	E	EF150737	Electric Box Cover, 2-3/4x4-1/2"
17	EF118234	Compressor Assembly 1-Phase, includes	F	EF155454	Head Pressure Control Valve
	EF151632	Capacitor & Relay Box Assembly	G	EF153420	Refr. Coupling, 3/8MQC /8SW
	EF155054	Dryer Filter	n/s	EF140039	Coupling, Mounting Plate
	EF155419	Access Valve	H	EF153418	Refr. Coupling, 1/2MQC, 1/2SW
17	EF118685	Compressor Assembly, 1-Phase, 208/230V	I	EF139017	Motor Rain Shield
	EF151447	Run Capacitor	J	EF137632	Bracket, Fan Condenser
	EF151448	Compressor Start Cap & Relay Kit	K	EF151072	Fan Motor, 50W 230V 60 Hz
	EF155054	Dryer Filter	L	EF159029	Fan Blade, 11"dia, 36°
17	EF118235	Compressor, 3-Phase, includes			
	EF155054	Dryer Filter			

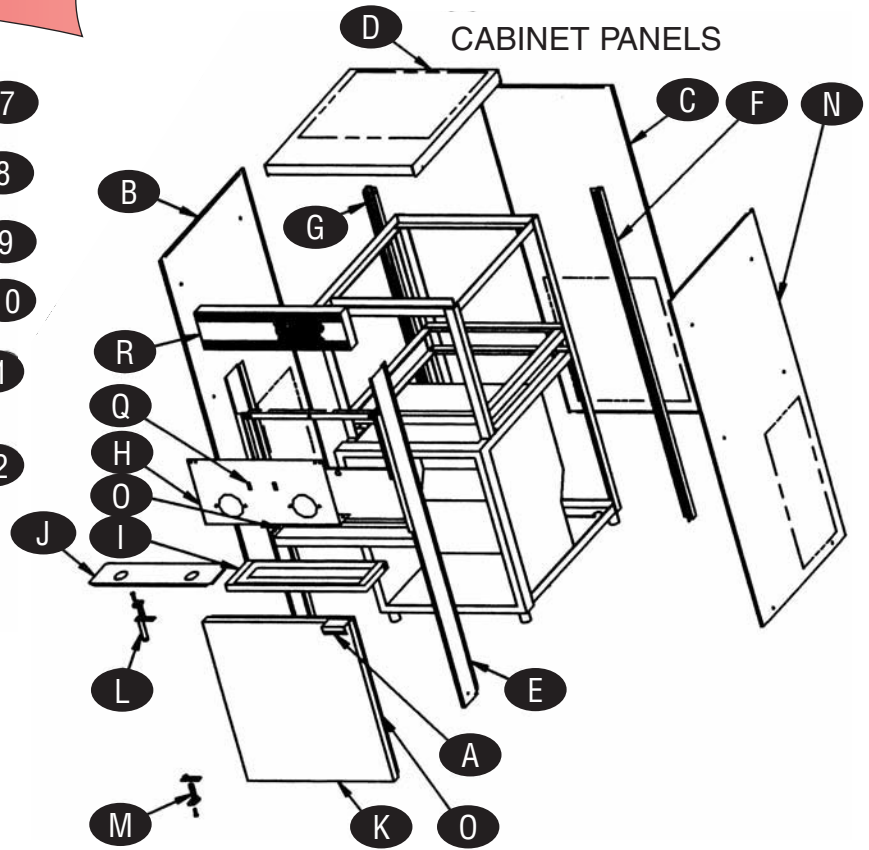
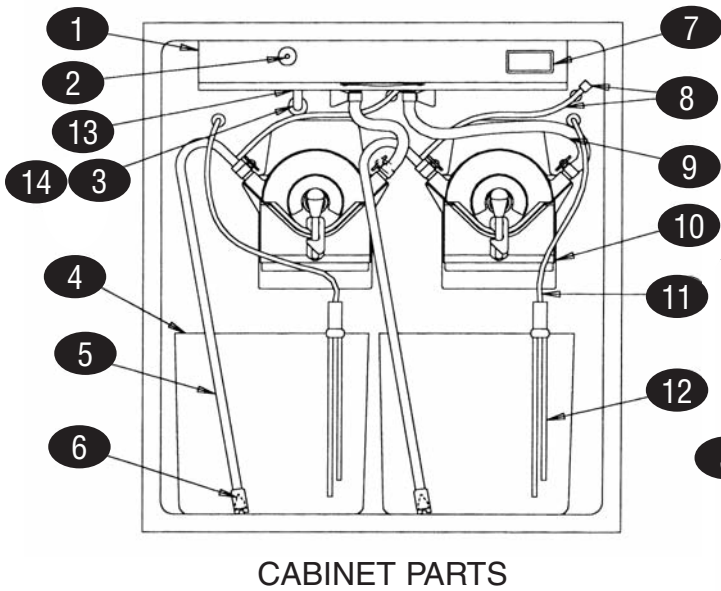
refrigeration

SOFT SERVE #30CMT

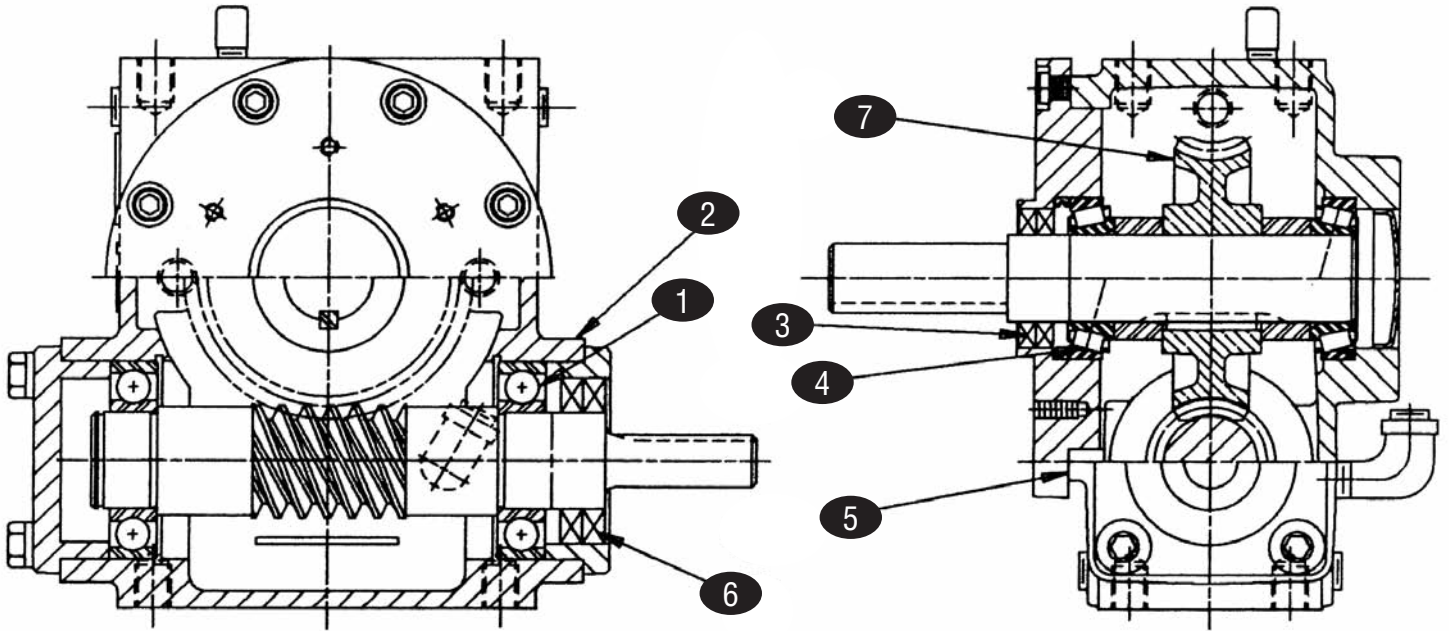
HAGAR

ELECTRO FREEZE

ICE CREAM MACHINE



KEY	PART #	DESCRIPTION	KEY	PART #	DESCRIPTION
1	EF117129	Evaporator Shroud Assembly, includes	A	EF136199	Door Pull
	EF150532	Male Plug Cord Assembly	B	EF136289-C	Side Panel, LH
	EF151105	Motor, Evaperator w/Fan, 208v	C	EF136313-C	Rear Panel
	EF151076	Open Fan Guard		EF138982	Upper Rear Panel
	EF161004	Thermometer-Barrel		EF138983	Lower Rear Panel
	EF150533	Female Plug Cord Assembly	D	EF114157	Top Panel Assembly, Water or Air Cooled remote
	EF155111	Evaporator Coil		EF116567-C	Top Panel Assembly, Air Cooled
2	EF119163	Door Push Button Switch	E	EF113983-C	Front Panel Assembly
	EF118597	Door Switch Actuator Assembly	F	EF130021-C	Rear Channel, RH
3	EF196068	Tubing	G	EF135254-C	Rear Channel, LH
4	EF196222	Mix Tank, 7gal, 13-1/4"	H	EF139221	Dispense Panel
	EF113997	Mix Tank Front Cover Assembly	I	EF196108	Drip Tray, Black, 26"
	EF138165	Rear Mix Tank Cover	J	EF114608	Drip Tray Insert Assembly, includes
	EF199033	Mix Tube Boot Seal		EF136898	Drip Tray Insert
5	EF116069	Pickup Tube Assembly		EF199030	Rubber Bumper
	EF116065	Butterfly Clamp, 5/8"	K	EF114260-C	Complete Door Assembly, includes
6	EF199032	Duckbill Inlet Valve, Pkg of 3		EF136199	Door Pull
7	EF161004	Barrel Cabinet Thermometer		EF160563	Magnetic Gasket
8	EF138170	Air Tube Hose		EF118597	Door Switch Actuator Assembly
8A	order by meter#	Air Meter	L	EF162045	Hinge, Pivot, 1-3/8" Top, includes
9	EF116094	Mix Braided Hose Assembly		EF162052	Spring, LH
	EF138184	Transfer Hose, Black Striped	M	EF162046	Hinge, Pivot, 1-3/8" Bottom
	EF116065	Butterfly Clamp, 5/8"	N	EF136216-C	Side Panel RH
10		MTS (pictued only)	O	EF160563	Magnetic Gasket
11	EF150537	Mix Level Probe Cordset	P	EF114374	Drain Tube Assembly
	EF150536	Molded Level Sensor Receptacle	Q	EF150540	Mix Indicator Lights
12	EF115397	Mix Level Probe Assy, 7gal, 10-3/4" includes	R	EF115292-03	EF Decal Trimpstrip Assembly 26"
13	EF160738	Drain Hose Clamp		EF165188-01	Trimstrip EF Logo Decal 26"
14	EF138919	Drain Tube Support			



GEAR REDUCERS

Having your **serial #** ready before ordering ElectroFreeze parts, when calling our sales staff, will ensure speed & accuracy.

KEY	PART #	DESCRIPTION	KEY	PART #	DESCRIPTION
1	EF153065	Ball Bearing, 1.378IDx2.835OD			
2	EF153066	Gasket, High Speed			
3	EF153071	Seal, Slow Speed			
4	EF153068	Bearing Cone, Slow Speed, 1.25"			
n/s	EF153069	Bearing Cup, Slow Speed, 2.328"			
5	EF153070	Gasket, Slow Speed			
6	EF153067	Seal, High Speed			
7	EF153301	Gear, Slow Speed			
	EF118742	Gasket Kit, Reducer, Model HCD926			
	EF158055	Oil Lube, Special Gear			