

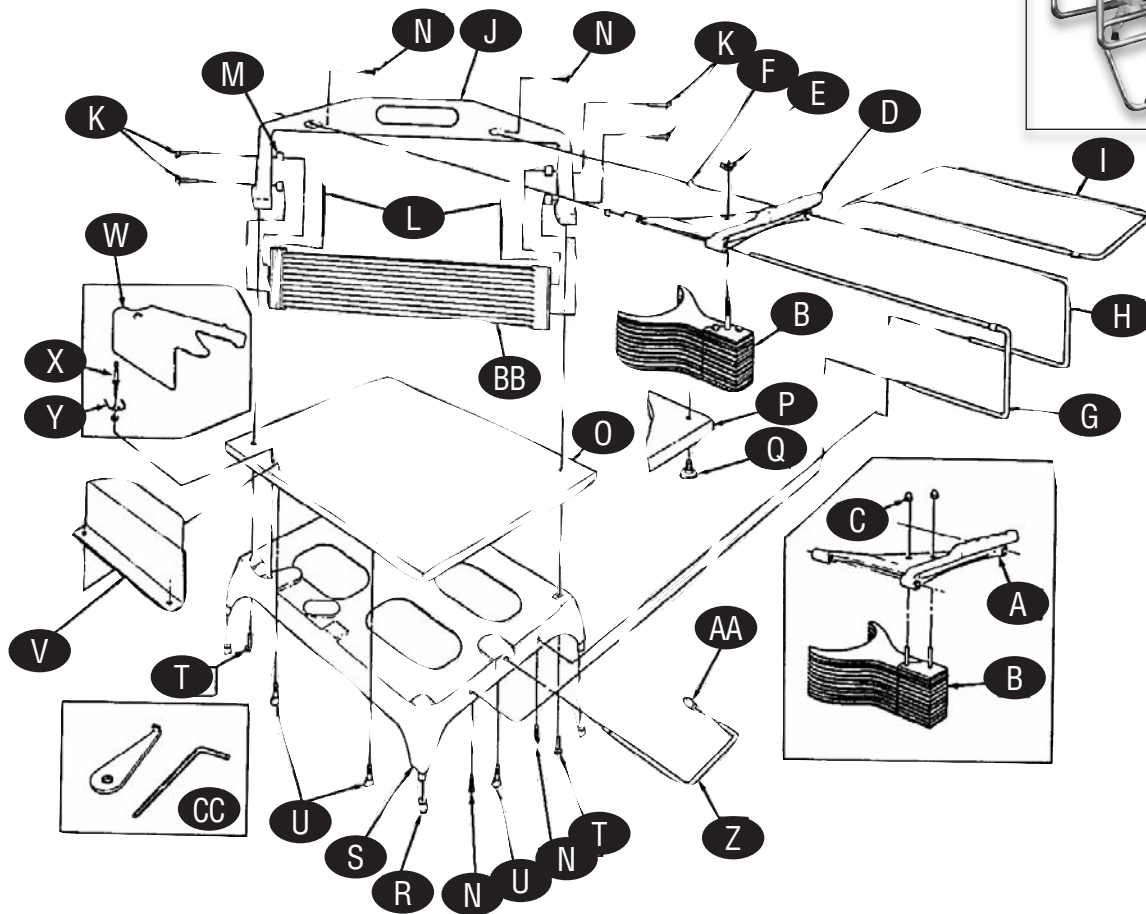
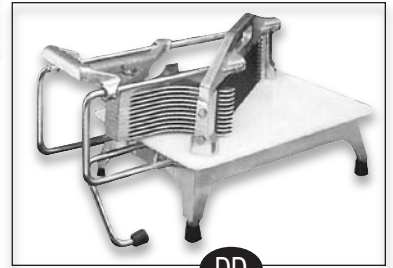
# prep

## TOMATO SLICERS

# TOMATO PRO™

# HAGAR

Lincoln REECO  
Foodservice Products, Inc.



KEY	PART #	DESCRIPTION	KEY	PART #	DESCRIPTION
A	RE0661	Pusher Head Casting, old style	Q	RE2319	Rubber Feet, Econo Pro
B	RE0662	3/16" & 3/8" Pusher Head Assembly	R	RE060	Rubber Feet, old style, 1/2"
	RE0663	1/4" Pusher Head Assembly – Note: old style (2 studs) Pshr Hd Assy no longer available; new style (1 stud) Pshr Hd Assy must be used w/new style Pshr Hd Casting, see D.	RE303		Rubber Feet, Deep, new style, 1"
C	RE519	Acorn Nut - used w/old style Pusher Head only	S	RE0667	Base Casting
D	RE0687	Pusher Head Casting, new style	T	RE0676	Screw, Retaining (Bridge Casting to Base)
E	RE356	Wing Nut, Pusher Head, new style	U	RE369211	Thumb Screw (insert from top w/Econo Pro safety guard)
F	RE305	Rubber Stop, O-Ring	V	RE0682	Safety Guard, Tomato Pro, new style
G	RE0666L	Guide Rod, Left (long)	W	RE0684	Safety Guard, Econo Pro
H	RE0666R	Guide Rod, Right (short)	X	RE0679	Pivot Post, Safety Guard, old style
I	REEC0666	Guide Rod, Econo Pro only	Y	RE0678	Spring, Safety Guard, old style
J	RE0664	Bridge Casting	Z	RE0680	Positive Stop, Pivot Arm
K	RE0674	Bolt, Blade Block, old style, Allen Head 1/4-20x1"	AA	RE0688	End Bumper, Positive Stop
	RE0660	Bolt, Blade Block, new style, Hex Head 1/4-20x1-3/8"	BB	RE0648	Blade Assembly, 3/16", Scalloped, 15 ct.
L	RE047	Blade Block Pin	RE0653		Blade Assembly, 3/16", 15 ct.
M	RE0658	Rubber Seal	RE0652		Blade Assembly, 1/4", Scalloped, 11 ct.
N	RE0573	Set Screw, Guide Rod	RE0654		Blade Assembly, 1/4", 11 ct.
O	RE0671	Platform, Tomato Pro w/out Safety Guard	RE0647		Blade Assembly, 3/8", Scalloped, 8 ct.
	RE0670	Platform, Tomato Pro w/Safety Guard	RE0656		Blade Assembly, 3/8", 8 ct.
P	RE0686	Platform, Econo Pro w/Safety Guard	CC	RE0675	Allen Wrench, Blade Tool, old style
	RE0671	Platform, Econo Pro w/out Safety Guard	DD	H80035R	Blade Replacement Tool, new style
					Tomato Pro Unit, 3/16"