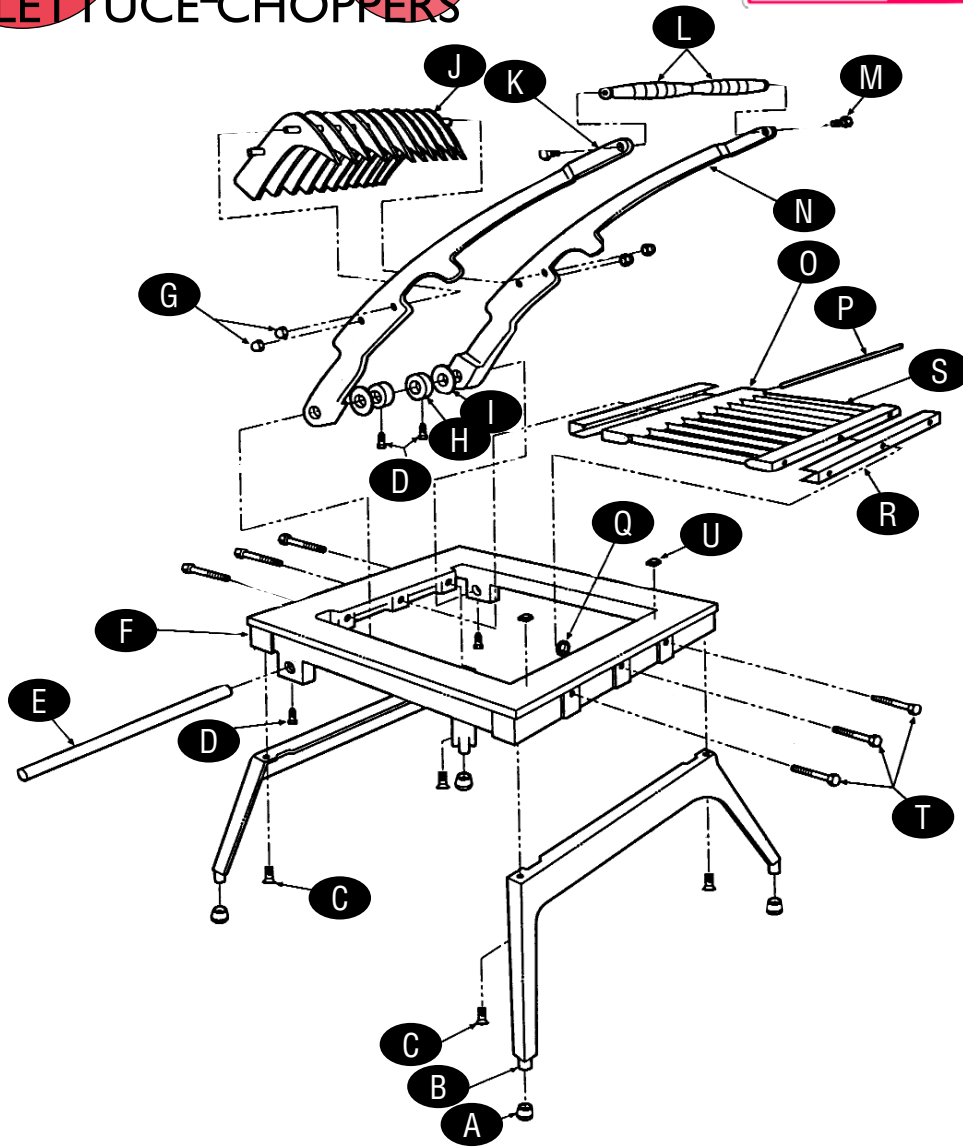


Lincoln RECO
Foodservice Products, Inc.



KEY	PART #	DESCRIPTION	KEY	PART #	DESCRIPTION
A	RE060	Rubber Foot	P	RE424	Blade Block Pin
B	RE426	Leg Casting	Q	RE655	Neoprene Gasket
C	RE414	Screw, Fillister Head, 1/4"-20x3/4"	R		Blade Shield (part of Blade Assembly)
D	RE4422R	Screw, Square Head, 1/4"-20x3/8"	S	RE485	Blade Assembly 1/4", includes 28 Blades, 2 Blocks, 2 Pins & 2 Shields
E	RE454	Pusher Head Pivot Rod		RE484	Blade Assembly 3/8", includes 19 Blades, 2 Blocks, 2 Pins & 2 Shields
F	RE468	Base Casting		RE434	Blade Assembly 3/4", includes 10 Blades, 2 Blocks, 2 Pins & 2 Shields
G	RE519	Acorn Nut 1/4"	T	RE427	Blade Block Screw 1/4"x20x2"
H	RE453	Pusher Head Locking Collar, incl. Collar & Screw	U	RE506	Pusher Head Bumper
I	RE490	Nylon Washer	n/s	RE4425	Lettuce Cutter Brush
J	RE483	Pusher Head, 1/4"			
K	RE482	Pusher Head, 3/8"			
L	RE457	Pusher Head Sidearm, Left Hand			
	RE455	Pusher Head Handle, includes Handle, Rod & 2 Plastic Grips			
M	RE415	Screw, Hex. Head, 1/4"-20x7/8"			
N	RE456	Pusher Head Sidearm, Right Hand			
O	RE420	Blade Block			