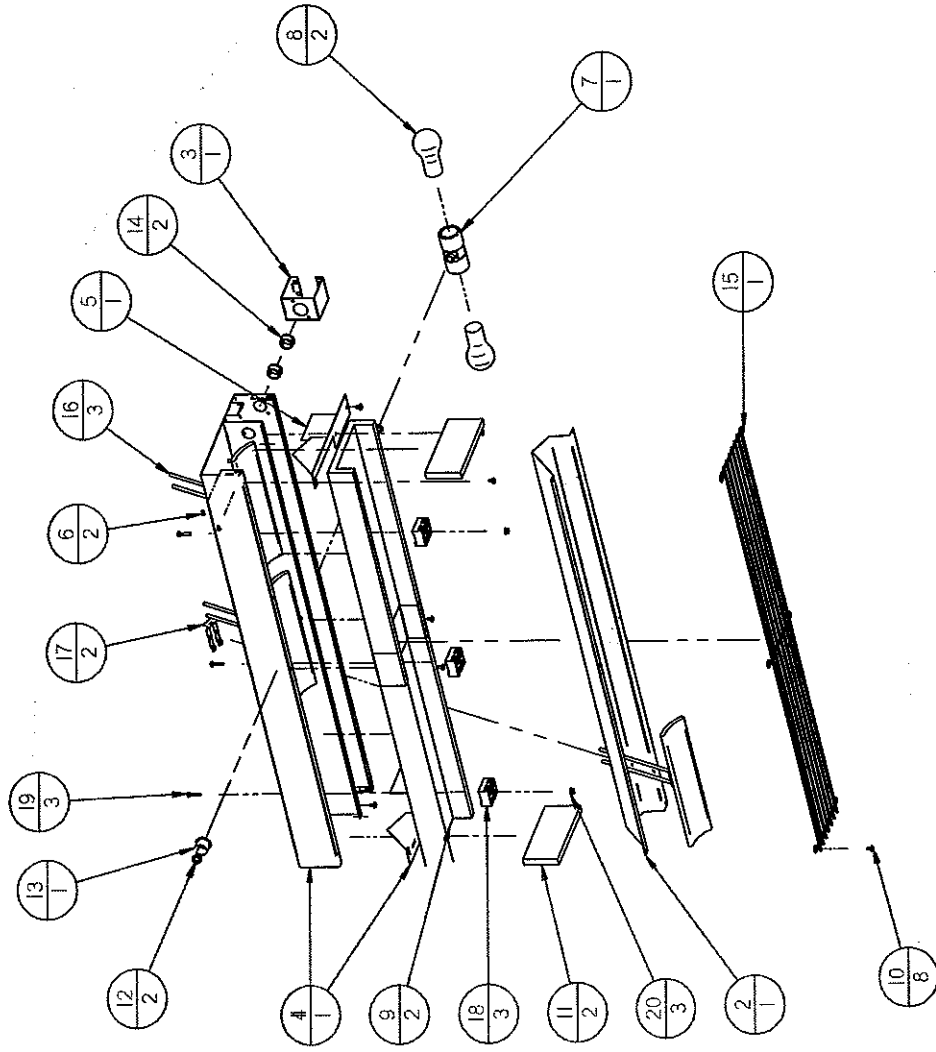
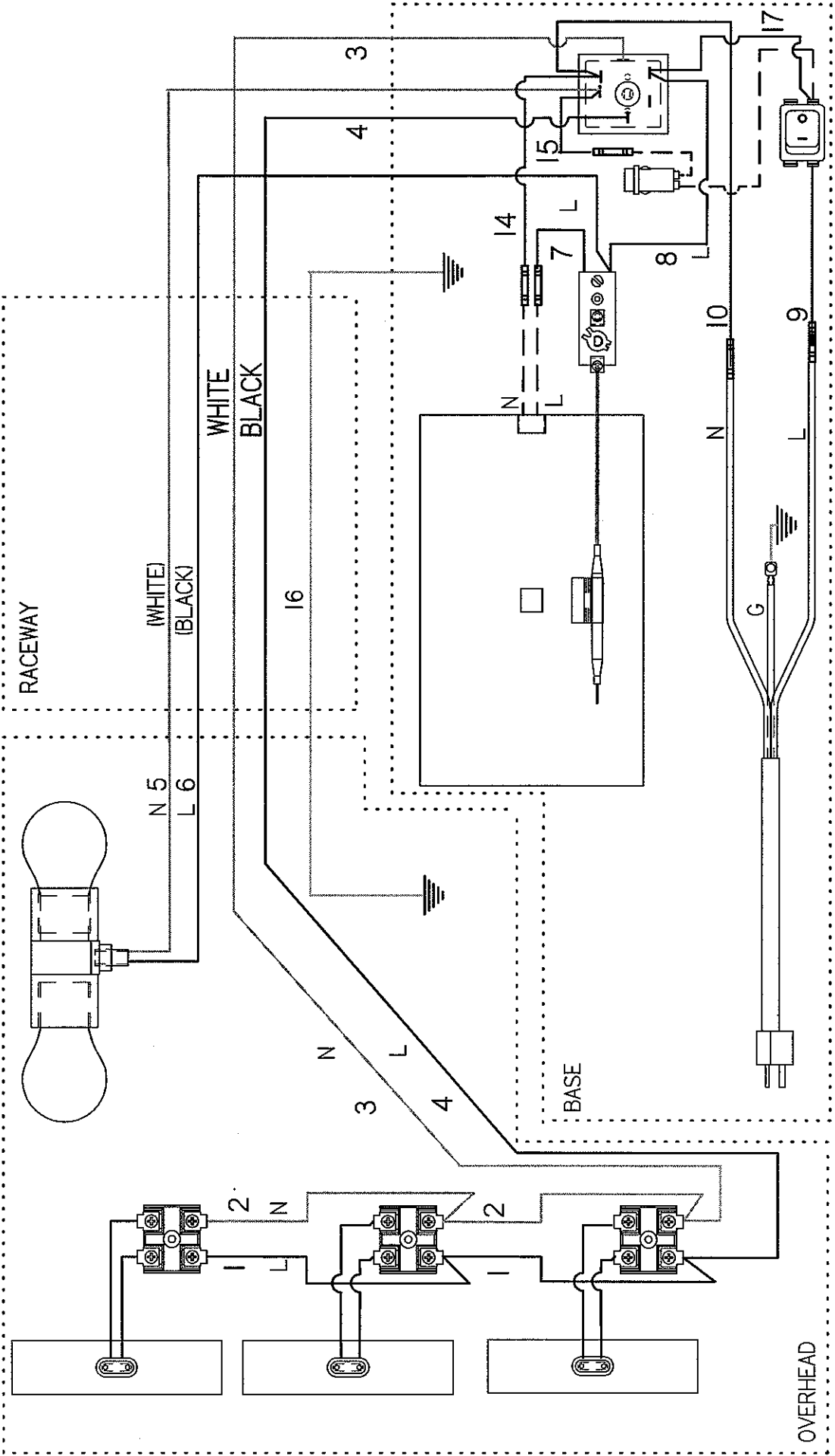


CHFS33-H19

Item Number	Document Number	Title	Quantity	Item Number	Document Number	Title	Quantity
1	455768-0	FOOT, RUBBER	4	16	95211135	DIVIDER, TRIVET	3
2	8169700	10-32 X 3/8 LG. SCREW	12	17	95200107	WRAPPER, TOP	1
3	89488	SWITCH, ROCKER DPST 16A, 100C (TEXT)	1	18	95210101	TABLETOP/FRONT	1
4	89184	BUSHING, .875 HEYCO 2126	2	19	95200113		1
5	95000009	S/ASSY, OVERHEAD LIGHTED DIRECTION	1	20	95000027	ELEMENT, SILICONE	1
6	8155900	SCREW, #8 X 1/2 HEX TAPT SHT MTL TYPE AB	12	21	95200101		1
7	55945	CORD W/LEADS	1	23	8353000	POP RIVET	4
8	89111	BUSHING, STRAIN RELIEF SR-7W-2	1	24	8420400	WELD NUT 10-32 S/S	2
9	8422400	#10-24 HX NUT GRN	1	25	81739-00	WELDSTUD 10-24 X 1/2	3
10	81430-00	8-32 x 3/4" SS PAN HD	4	26	95200108	COVER, TOP	1
11	456633-0	LAMP, INDICATOR, GREEN	1	27	95210016	COVER, RACEWAY	1
12	95000040	LABEL, FRY DUMP	1	28	16218-00	PLUG BEAUTY 1/2" CHROME	2
13	95200144	INSULATION, BOTTOM, 1 X 33.25 X 26	1	29	95200042	BRACKET, THERMOSTAT	1
14	58081	LABEL, CAUTION HOT	1	30	13279-00	SWITCH INFINITE	1
15	95211105	PAN, DRIP	1	31	95000041	THERMOSTAT, BULB, 250 DGR F	1

Item Number	Document Number	Title	Quantity
1	95200022	W/ASSY, OVERHEAD HOUSING	1
2	95000011	REFLECTOR, HOLDING BIN	1
3	95000021	W/ASSY, JUNCTION BOX	1
4	95000013	COVER LEFT LIGHTED DIR	1
5	95000014	COVER, RIGHT END DIR	1
6	8353000	POP RIVET	2
7	15057-00	SOCKET, LIGHT TWIN 660W 250V	1
8	15058-00	BULB, LIGHT 40 APPL.	2
9	76191	INSULATION 1/2 x 9-1/2 x 18 FD24	2
10	8154900	T/S TR HD PH TA#8-32X3/8 S/S	8
11	76189	INSULATION 1/2 X 6 X 2-1/2 FD18-72	2
12	2000300	HEX NUT, BRASS 1/8" IP	2
13	1000200	BUSHING, ANTI-CHORT SIZE 3	1
14	89184	BUSHING, .875 HEYCO 2126	2
15	95000031	GUARD, WIRE	1
16	95000026	ELEMENT, CERAMIC	3
17	95000028	RETAINER, CERAMIC ELEMENT	2
18	95000033	TERMINAL BLOCK, CERAMIC	3
19	81430-00	8-32 x 3/4" SS PAN HD	3
20	8408300	#8-32 HEX NUT, KEPS, NI	3





SHEET 4 OF 5

CHFS 33-H19