



729 Third Avenue  
Dallas, TX 75226

# HFW-1

*Insulated Top Mount Hot Food Wells*

Phone: (214) 421-7366  
 Fax: (214) 565-0976  
 Toll Free: (800) 527-2100  
 Website: [www.apwwyott.com](http://www.apwwyott.com)  
 E-mail: [info@apwwyott.com](mailto:info@apwwyott.com)

## REPLACEMENT PARTS CATALOG & WIRING DIAGRAMS

MODEL	P/N	VOLTS	WATTS
HFW-1	56440	208/240V	1200/1600W
HFW-1	56444	208/240V	1200/1600W
HFW-1	56445	120V	1500W
HFW-1	56449	120V	1500W

**FOR 72" THERMOSTAT ADD SUFFIX -72 TO MODEL AND PART NUMBER  
 FOR UL KIT ADD SUFFIX -36UL OR -72UL TO MODEL AND PART NUMBER**



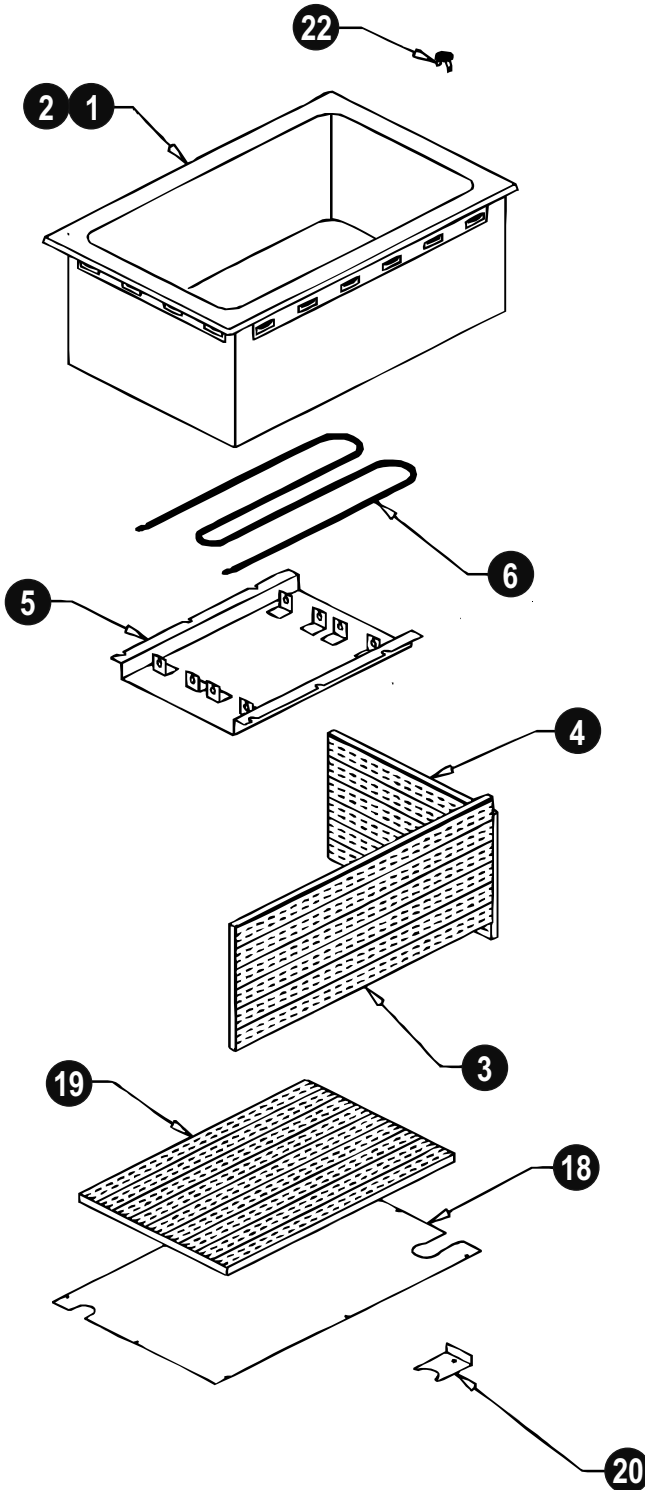
729 Third Avenue  
Dallas, TX 75226

# HFW-1

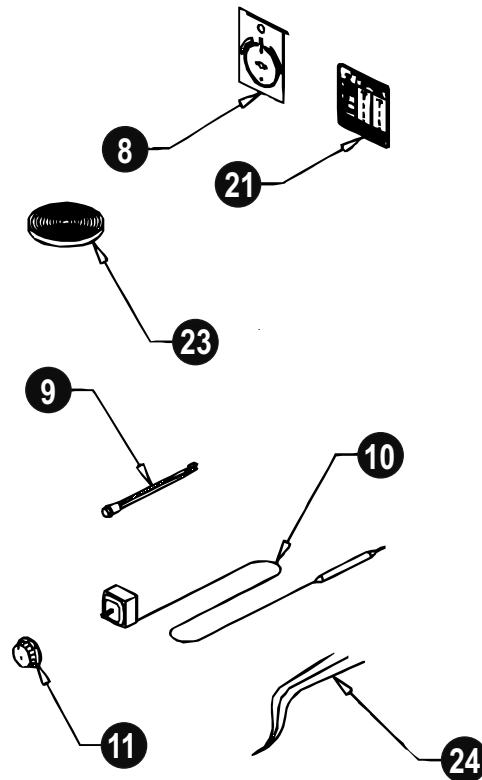
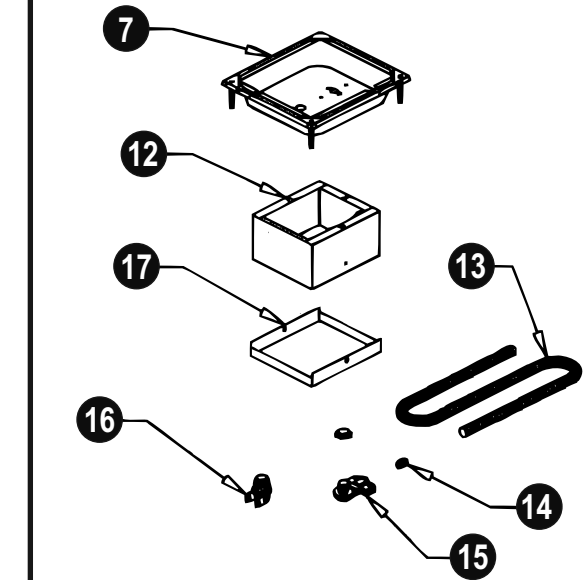
## Insulated Top Mount Hot Food Wells

Phone: (214) 421-7366  
 Fax: (214) 565-0976  
 Toll Free: (800) 527-2100  
 Website: www.apwwyott.com  
 E-mail: info@apwwyott.com

Item	P/N	Description	Item	P/N	Description
1	56436	Pan & Wrapper W/Drain	19	56387	Bottom Insulation
2	55304	Pan & Wrapper No Drain	20	56388	Hole Cover
3	56443	Side Insulation	21	56542	Dial Setting Plate
4	56442	End Insulation	22	56655	Drain Strainer
5	56506	Reflector Plate	23	55872	Permagum Package
6	56322	Element 120V-1500W	24	56416	Wire Set
	55441	Element 208/240V-1200/1600W			
7	56370	Control Housing	<b>Parts Not Shown</b>		
8	56529	Increase Decrease Plate	88961		10-24 Green Hex Nut
9	56530	Indicator Light	89061		10-24 Hex Nut
10	56527	Thermostat	89068		Flat Washer 5/16" X 3/4" X 1/16"
11	56528	Knob	89071		#10 Flat Washer
12	56581	Conduit Box	89059		#10 External Lockwasher
13	55341	Flex Conduit	89073		#8 X 1/2" Sheet Metal Screw
14	55340	Anti Short Bushing	89120		Jiffy Clip
15	55343	Conduit Connector 90°			
16	55339	Conduit Connector			
17	56586	Conduit Box Cover			
18	56386	Bottom Panel			



### UL KIT



### HFW-1 WIRING DIAGRAMS

