



729 Third Avenue
Dallas, TX 75226

M-83

Bun Grill Toaster

Phone: (214) 421-7366
 Fax: (214) 565-0976
 Toll Free: (800) 527-2100
 Website: www.apwwyott.com
 E-mail: info@apwwyott.com

REPLACEMENT PARTS CATALOG & WIRING DIAGRAM

| Model | Part Number | Voltage |
|-------|-------------|---------|
| M-83 | 83501 | 120V |
| M-83 | 83502 | 208V |
| M-83 | 83503 | 120V |
| M-83 | 83504 | 240V |
| M-83 | 83505 | 120V |
| M-83 | 83525 | 120V |
| M-83 | 83585 | 120V |





729 Third Avenue
Dallas, TX 75226

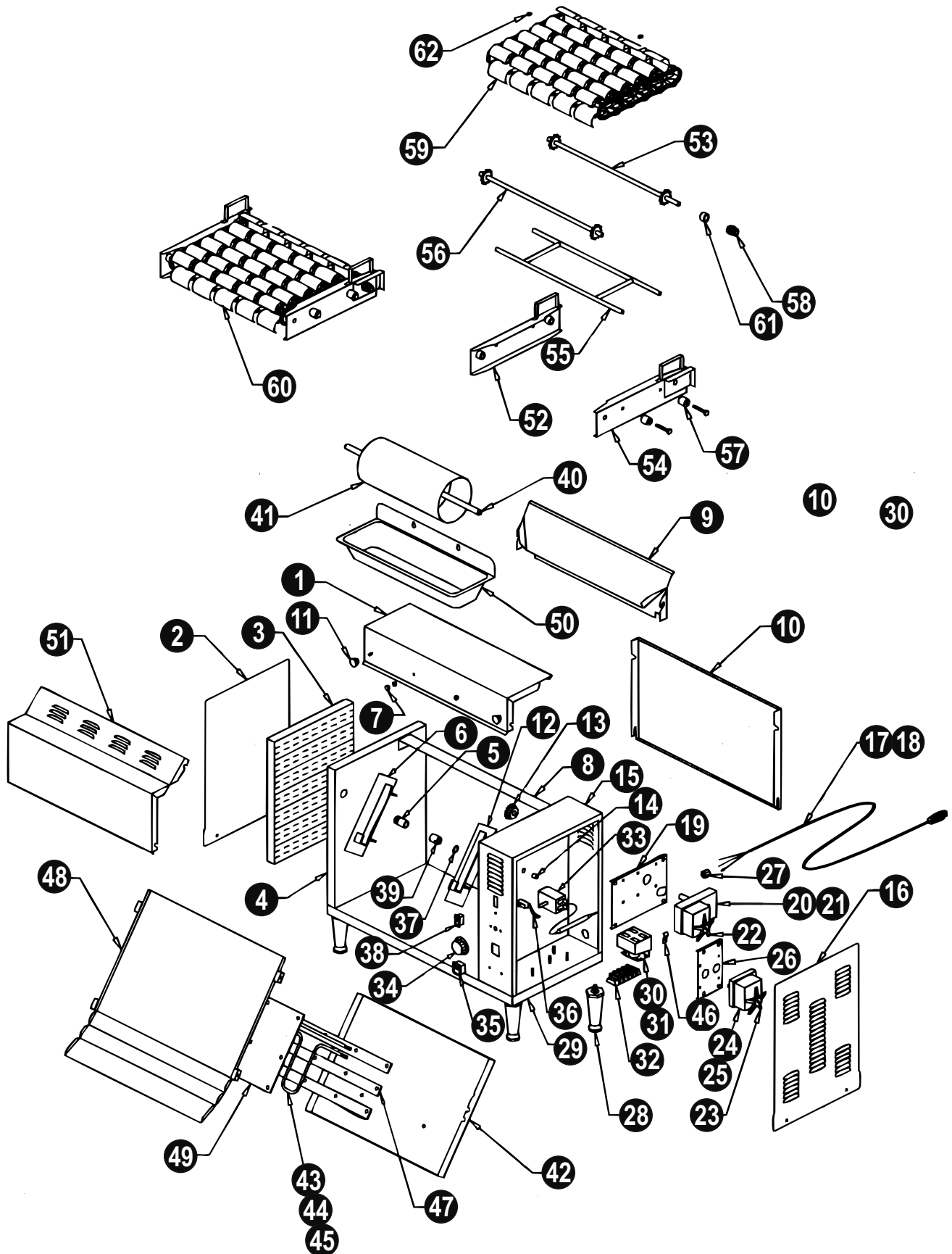
M-83

Bun Grill Toaster

Phone: (214) 421-7366
 Fax: (214) 565-0976
 Toll Free: (800) 527-2100
 Website: www.apwwyott.com
 E-mail: info@apwwyott.com

| Item | P/N | Description | Item | P/N | Description |
|------|-------|----------------------------|------------------------|-------|--------------------------|
| 1 | 83028 | Top Front Panel | 42 | 83021 | Element Cover |
| 2 | 85800 | LH Inspection Panel | 43 | 85632 | Heating Element 120V |
| 3 | 83047 | Insulation, LH Panel | 44 | 85633 | Heating Element 208V |
| 4 | 83012 | LH Outer Panel | 45 | 85634 | Heating Element 240V |
| 5 | 85210 | BR Idler Bushing | 46 | 89120 | Jiffy Clip |
| 6 | 83056 | LH Hanger Plate | 47 | 83020 | Element Bracket |
| 7 | 87074 | Hanger Pin W/Head | 48 | 83017 | Grill Plate |
| 8 | 83048 | Top Brace | 49 | 83030 | Aluminum Transfer Plate |
| 9 | 83113 | Top Back Panel/Bun Chute | 50 | 83035 | Butter Pan |
| 10 | 83043 | Bottom Back Panel | 51 | 83003 | Bottom Front Panel |
| 11 | 89165 | Knob, Panels | 52 | 83041 | LH Chain Ride |
| 12 | 83055 | RH Hanger Plate | 53 | 85120 | Drive Shaft Assembly |
| 13 | 85032 | Motor Drive Gear 19 Tooth | 54 | 83029 | RH Chain Ride |
| | 85037 | Motor Drive Gear 16 Tooth | 55 | 85215 | Inner Brace |
| | 85183 | Motor Drive Gear 17 Tooth | 56 | 85119 | Idler Shaft Assembly |
| | 85047 | Motor Drive Gear 21 Tooth | 57 | 85228 | Conveyor Knob |
| | 85042 | Motor Drive Gear 13 Tooth | 58 | 85033 | Conveyor Gear 13 Tooth |
| 14 | 89110 | Capillary Bushing | | 85038 | Conveyor Gear 16 Tooth |
| 15 | 83011 | RH Outer Housing | | 85030 | Conveyor Gear 15 Tooth |
| 16 | 85710 | RH Inspection Panel | | 85046 | Conveyor Gear 11 Tooth |
| 17 | 85638 | Power Cord 120V | | 85043 | Conveyor Gear 19 Tooth |
| 18 | 85640 | Power Cord 208/240V | 59 | 85124 | Chain & Weight Assembly |
| 19 | 83053 | Motor Mnt Plate Conv. Mtr. | 60 | 83024 | Complete Conveyor Ass'y. |
| 20 | 85178 | Conveyor Motor 120V | 61 | 85115 | Teflon Bearing (each) |
| 21 | 85195 | Conveyor Motor 208/240V | 62 | 85136 | Chain Master Link (each) |
| 22 | 85162 | Fan, Conveyor Motor | Parts Not Shown | | |
| 23 | 85161 | Fan, BR Motor | | 89059 | #10 Lockwasher |
| 24 | 85175 | BR Motor 120V | | 89065 | 10-24 Lock Nut |
| 25 | 85197 | BR Motor 208/240V | | 89031 | 10-32 X 5/16" Screw |
| 26 | 83001 | Motor Mnt Plate BR Motor | | 89088 | 8-32 X 1 1/4" Screw |
| 27 | 89111 | Strain Relief Bushing | | 89090 | 10-32 X 3/16" Set Screw |
| 28 | 87320 | Leg (each) | | 89076 | 1/4" Lockwasher |
| 29 | 83006 | Base Plate | | 89003 | 1/4-20 X 1/2" Bolt |
| 30 | 87071 | Relay 120V | | 89062 | 10-32 Hex Nut |
| 31 | 87438 | Relay 208/240V | | 89071 | #10 Flat Washer |
| 32 | 89145 | Terminal Block | | 89030 | 10-32 X 3/4" Screw |
| 33 | 60320 | Thermostat | | 89054 | 6-32 Hex Nut |
| 34 | 60321 | Knob, T-Stat | | 85003 | Tinnerman Clip |
| 35 | 89406 | Switch, Main Power | | 89061 | 10-24 Hex Nut |
| 36 | 55682 | Indicator Light | | 89050 | 6-32 X 3/16" Screw |
| 37 | 83051 | Nyliner Bushing | | 89097 | 10-32 X 5/8" Bolt |
| 38 | 89408 | Switch, Motor | | 89046 | #8 Lockwasher |
| 39 | 83050 | BR Drive Bushing | | 89063 | 8-32 Nex Nut |
| 40 | 85174 | BR Shaft Assembly | | 89000 | 1/4-20 X 1 1/4" Bolt |
| 41 | 85173 | BR Cylinder | | | |

M-83 BUN GRILL TOASTER (Exploded View)



M-83 BUN GRILL WIRING DIAGRAM

