



**REPLACEMENT PARTS CATALOG**

**M-91**

**CONVEYOR TOASTER**

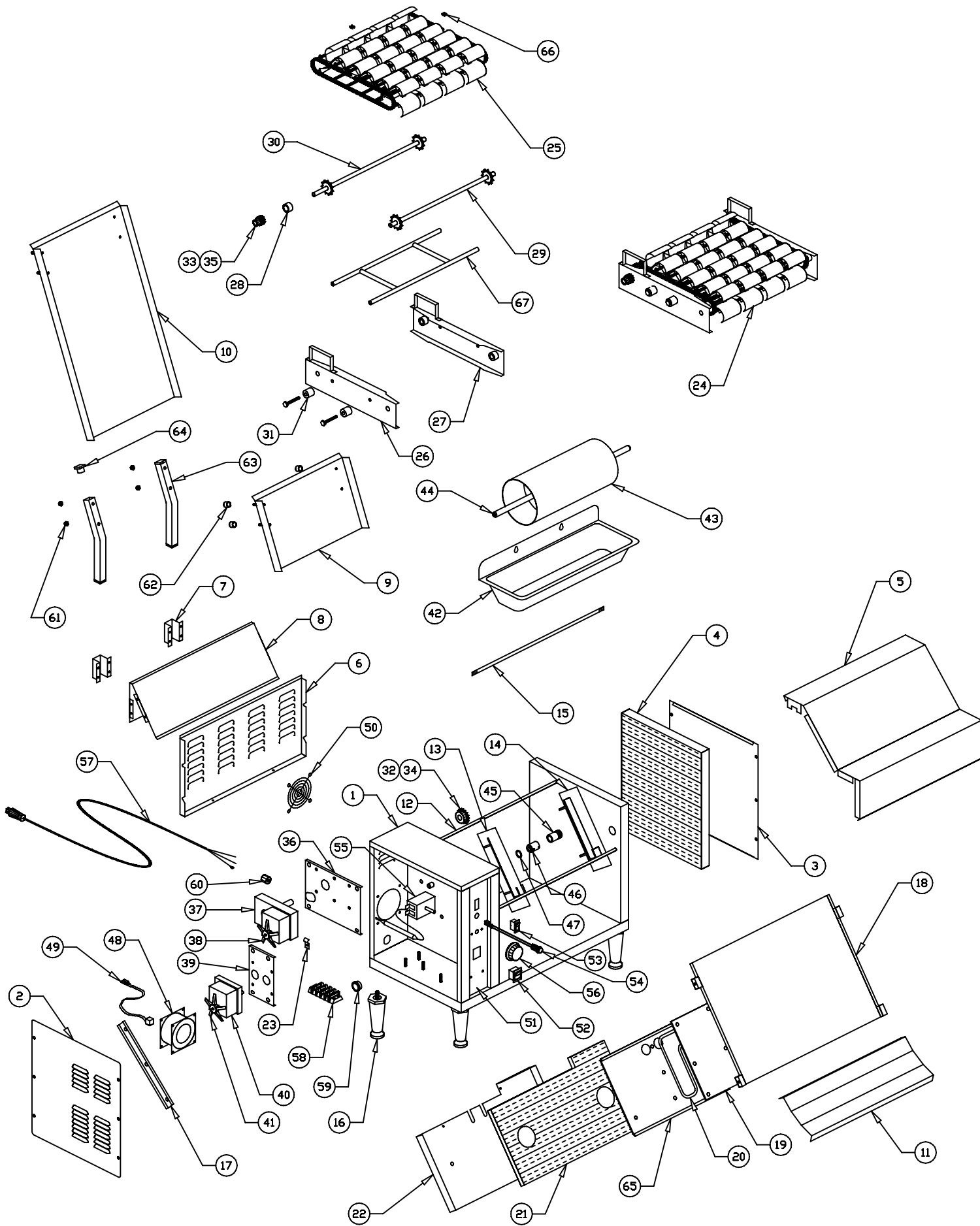
**M-91 83701 – 120V**

**M-91 83704 – 120V**

APW / WYOTT  
FOOD SERVICE EQUIPMENT CO.  
DALLAS, TX 75226

## M-91 CONVEYOR TOASTER

| ITEM<br>NUMBER | STOCK<br>NUMBER | DESCRIPTION                      |
|----------------|-----------------|----------------------------------|
| 1              | 83690           | FRAME ASSEMBLY                   |
| 2              | 83743           | LH INSPECTION PANEL              |
| 3              | 83766           | RH INSPECTION PANEL              |
| 4              | 60141           | INSULATION RH PANEL              |
| 5              | 83685           | FRONT PANEL                      |
| 6              | 83747           | LOWER BACK PANEL                 |
| 7              | 83778           | SUPPORT BRACKET (SUPERFEEDER)    |
| 8              | 83770           | FEEDER, UPPER BACK               |
| 9              | 83781           | SUPERFEEDER-SHORT                |
| 10             | 83780           | SUPERFEEDER-TALL                 |
| 11             | 83790           | BREAD SLIDE                      |
| 12             | 83733           | STABILIZER ROD                   |
| 13             | 83711           | LH HANGER PLATE                  |
| 14             | 83714           | RH HANGER PLATE                  |
| 15             | 83762           | RETAINER BRKT. -TEFLON SHEET     |
| 16             | 87322           | LEGS                             |
| 17             | 83745           | GRILL PLATE SUPPORT BRACE        |
| 18             | 83735           | GRILL PLATE                      |
| 19             | 83737           | ALUMINUM TRANSFER PLATE          |
| 20             | 54044           | ELEMENT 120V-1700W               |
| 21             | 60139           | INSULATION-ELEMENT COVER         |
| 22             | 83738           | ELEMENT COVER                    |
| 23             | 89120           | JIFFY CLIP                       |
| 24             | 83717           | COMPLETE CONVEYOR ASSEMBLY       |
| 25             | 83734           | CHAIN & WEIGHT ASSEMBLY          |
| 26             | 83723           | LH CHAIN RIDE                    |
| 27             | 83719           | RH CHAIN RIDE                    |
| 28             | 85115           | TEFLON BEARING                   |
| 29             | 83725           | IDLER SHAFT ASSEMBLY             |
| 30             | 83728           | DRIVE SHAFT ASSEMBLY             |
| 31             | 85228           | HANGER KNOBS                     |
| 32             | 85037           | MOTOR DRIVE GEAR-16T (83704)     |
| 33             | 85038           | CONVEYOR GEAR-16T (83704)        |
| 34             | 85032           | MOTOR DRIVE GEAR-19T (83701)     |
| 35             | 85033           | CONVEYOR GEAR-13T (83701)        |
| 36             | 83749           | MOTOR MOUNT PLATE-CONVEYOR MOTOR |
| 37             | 85296           | CONVEYOR MOTOR-120V              |
| 38             | 85161           | FAN BLADE-CONVEYOR MOTOR         |
| 39             | 83750           | MOTOR MOUNT PLATE-BR MOTOR       |
| 40             | 85295           | BR MOTOR-120V                    |
| 41             | 85162           | FAN BLADE-BR MOTOR               |
| 42             | 83742           | BUTTER PAN                       |
| 43             | 85173           | BUTTER ROLL CYLINDER             |
| 44             | 83739           | BR SHAFT ASSEMBLY                |
| 45             | 85210           | BR IDLER BUSHING                 |
| 46             | 83050           | BR DRIVE BUSHING                 |
| 47             | 83051           | NYLINER BEARING                  |
| 48             | 85280           | COOLING FAN MOTOR-120V           |
| 49             | 85285           | FAN CORD                         |
| 50             | 85282           | FAN GRILL GUARD                  |
| 51             | 58055           | DIAL CONTROL PLATE               |
| 52             | 89406           | ROCKER SWITCH-MAIN POWER         |
| 53             | 89408           | ROCKER SWITCH-MOTORS             |
| 54             | 56530           | INDICATOR LIGHT                  |
| 55             | 56527           | THERMOSTAT                       |
| 56             | 60352           | KNOB, THERMOSTAT                 |
| 57             | 85638           | POWER CORD                       |
| 58             | 89145           | TERMINAL BLOCK                   |
| 59             | 89184           | HOLE BUSHING                     |
| 60             | 89111           | STRAIN RELIEF BUSHING            |
| 61             | 89026           | CAP NUT 10-24                    |
| 62             | 83868           | SPACERS-SUPERFEEDER              |
| 63             | 83773           | SUPPORT LEGS-SUPERFEEDER         |
| 64             | 75427           | 3/4" SQUARE HOLE PLUGS           |
| 65             | 83800           | ELEMENT CLAMP                    |
| 66             | 85136           | CHAIN MASTER LINK (EACH)         |
| 67             | 83680           | INNER BRACE                      |



M-91 BUN TOASTER

# M-91 WIRING DIAGRAM

AMERICAN PERMANENT WARE, INC.  
729 THIRD AVENUE  
DALLAS, TX. 75226

