



**REPLACEMENT PARTS CATALOG**

**PW-1C**

**BUFFET WARMER**

**PW-1C 76625 - 120V**  
**PW-1C 76640 - 240V**

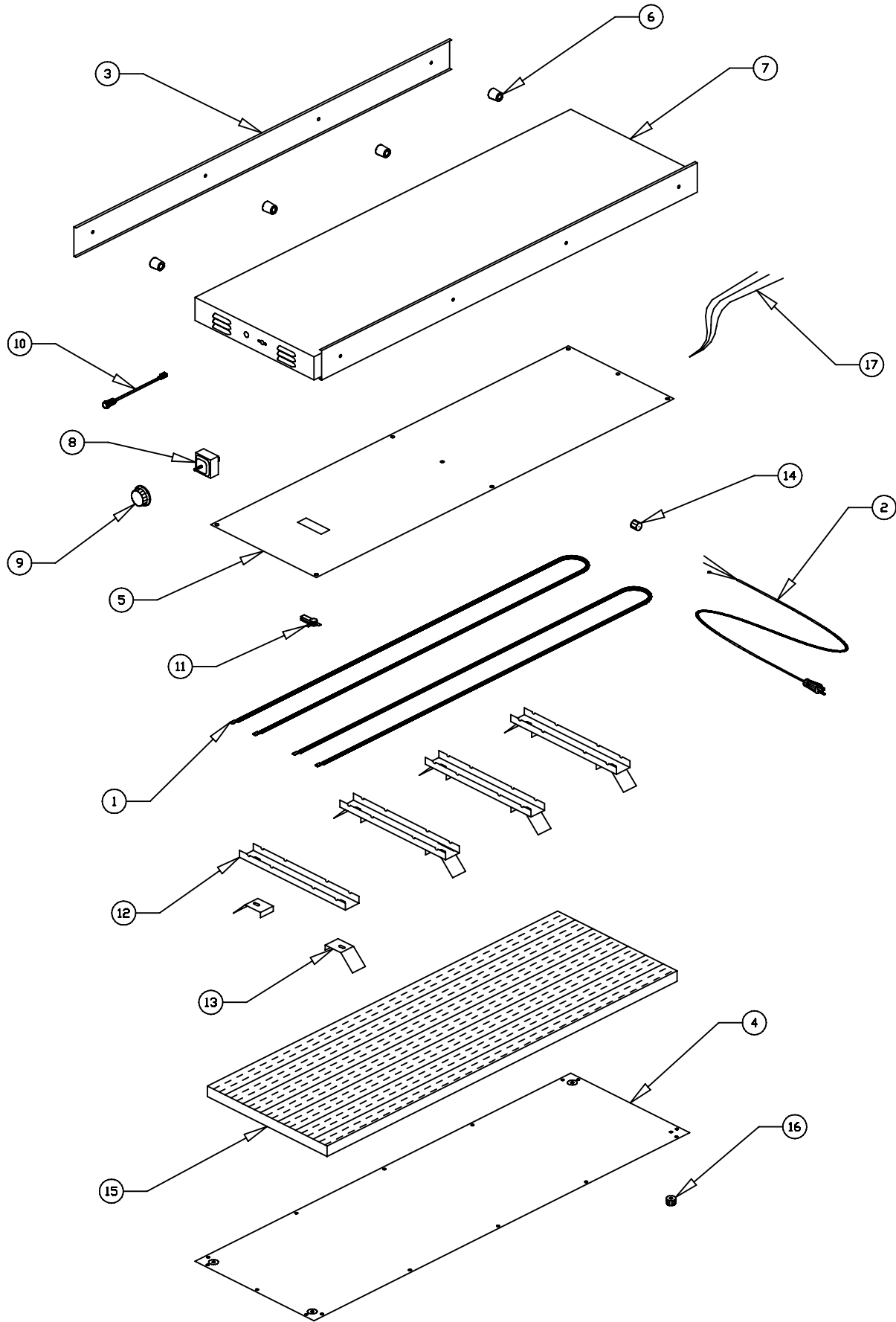
**APW / Wyott**  
FOOD SERVICE EQUIPMENT CO.  
DALLAS, TX 75226

Part No. 67139 - Rev 3/2000

**PW-1C**

## BUFFET WARMER

| ITEM NUMBER | STOCK NUMBER | DESCRIPTION                         |
|-------------|--------------|-------------------------------------|
| 1           | 85636        | HEATING ELEMENT                     |
| 2           | 55947        | CORD                                |
| 3           | 75604        | GUARD RAIL                          |
| 4           | 75603        | BOTTOM COVER                        |
| 5           | 76628        | ALUMINUM TRANSFER PLATE             |
| 6           | 55820        | SPACER                              |
| 7           | 76626        | WRAPPER ASSEMBLY                    |
| 8           | 55564        | INFINITE CONTROL                    |
| 9           | 55817        | KNOB                                |
| 10          | 56530        | INDICATOR LIGHT                     |
| 11          | 69107        | LIMIT THERMOSTAT                    |
| 12          | 75619        | ELEMENT BRACKET                     |
| 13          | 75621        | ELEMENT CLIP                        |
| 14          | 89151        | RIGHT ANGLE STRAIN RELIEF BUSHING   |
| 15          | 75609        | INSULATION                          |
| 16          | 55768        | RUBBER FOOT                         |
| 17          | 76629        | WIRE SET (50005-BLACK WIRE)         |
|             | 89160        | #10-24 x 1-1/4" RD. HD. SCREW       |
|             | 89065        | #10-24 JAM NUT                      |
|             | 89071        | #10 FLAT WASHER                     |
|             | 89059        | #10 EXTERNAL LOCKWASHER             |
|             | 89061        | #10-24 HEX NUT                      |
|             | 89087        | #8-32 x 3/16" BINDING MACHINE SCREW |
|             | 89054        | #6-32 KEPS NUT                      |
|             | 88961        | #10-24 GREEN HEX NUT                |
|             | 89073        | #8 x 1/2" HEX SHEET METAL SCREW     |



# PW-1C WIRING DIAGRAM

*AMERICAN PERMANENT WARE, INC.  
729 THIRD AVENUE  
DALLAS, TX. 75226*

HEATING ELEMENT

