



REPLACEMENT PARTS CATALOG

TM-12

TOP MOUNT HOT FOOD WELLS

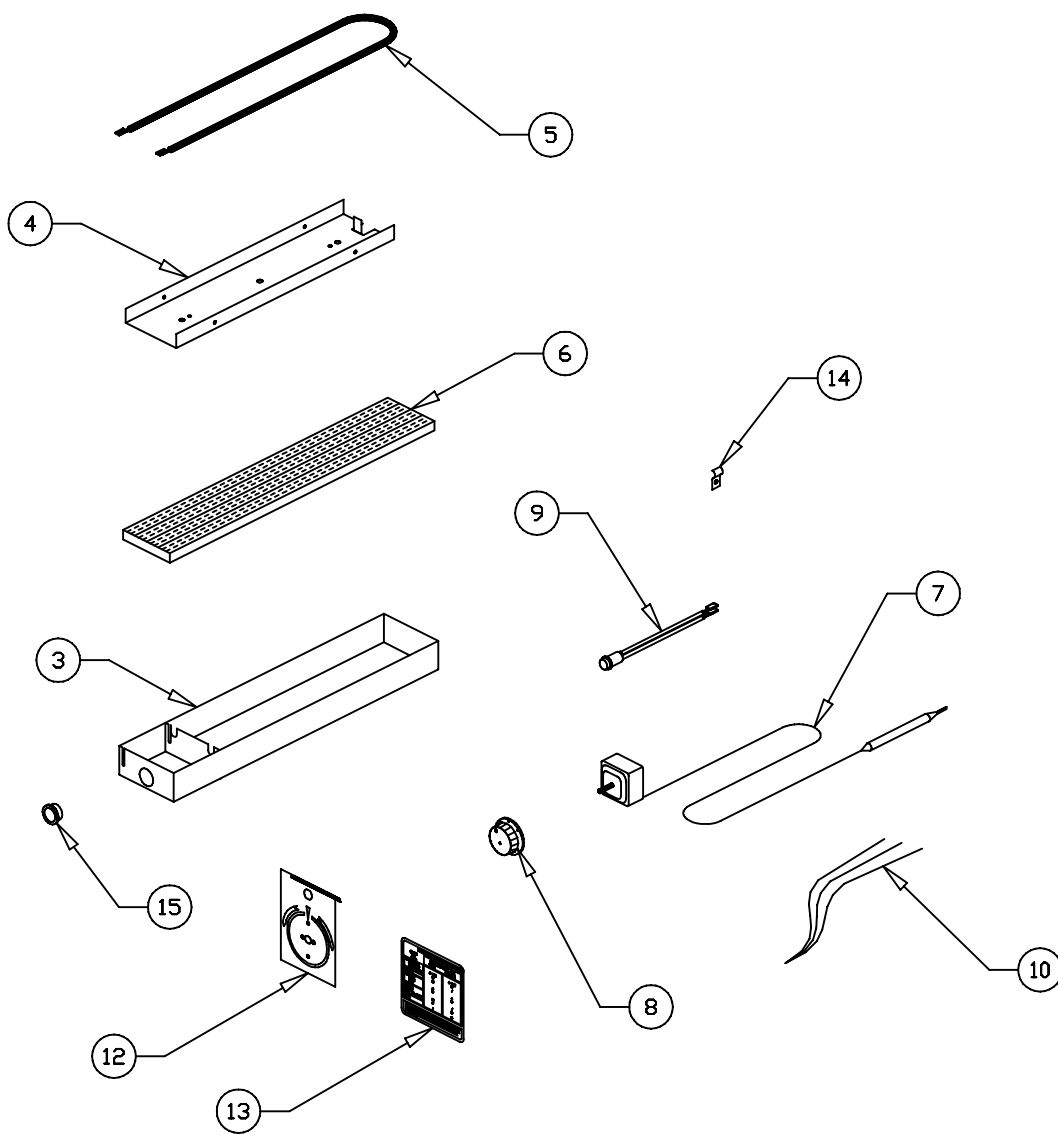
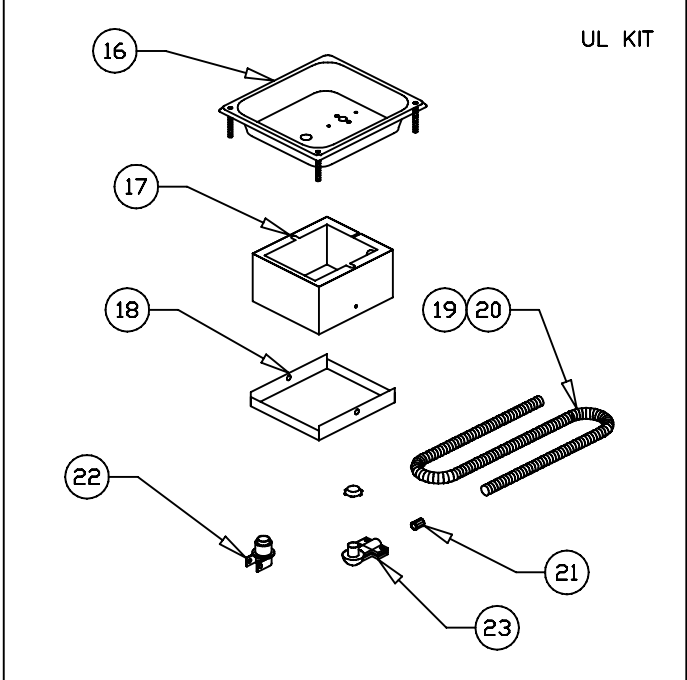
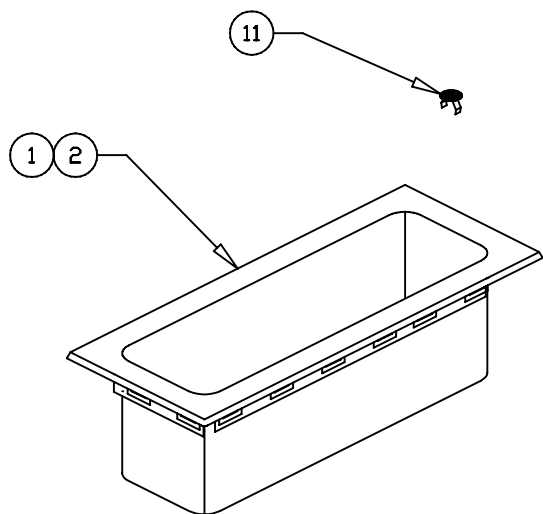
TM-12L 120V – 500W
TM-12LD 120V – 500W

FOR 72" THERMOSTAT ADD SUFFIX -72 TO MODEL AND STOCK NUMBER
FOR UL KIT ADD SUFFIX -36UL OR -72UL TO MODEL AND STOCK NUMBER

APW / WYOTT
FOOD SERVICE EQUIPMENT CO.
DALLAS, TX 75226

**TM-12L, TM-12LD
TOP MOUNT HALF SIZE HOT FOOD WELLS**

ITEM NUMBER	STOCK NUMBER	DESCRIPTION
1	55209	WELL PAN NO DRAIN (TM-12L)
2	55293	WELL PAN W/DRAIN (TM-12LD)
3	55242	BOTTOM COVER
4	55233	REFLECTOR PAN
5	54036	ELEMENT 120V-500W
6	60145	INSULATION
7	56527	THERMOSTAT 36" CAPILLARY
8	56528	KNOB, THERMOSTAT
9	56530	INDICATOR LIGHT
10	56566	WIRE HARNESS
11	56655	DRAIN STRAINER
12	56529	INCREASE-DECREASE PLATE
13	56542	DIAL PLATE
14	89120	JIFFY CLIP
15	89184	HOLE BUSHING
16	56370	CONTROL HOUSING
17	56581	CONDUIT BOX
18	56586	CONDUIT BOX COVER
19	55341	FLEX CONDUIT/36" THERMOSTAT
20	55331	FLEX CONDUIT/72" THERMOSTAT
21	55340	ANTI-SHORT BUSHING
22	55339	CONDUIT CONNECTOR
23	55343	CONDUIT CONNECTOR 90 DEGREE
	88961	10-24 GREEN HEX NUT
	89061	10-24 HEX NUT
	89062	10-32 HEX NUT
	89073	#8 x 1/2" SHEET METAL SCREW



TM-12 WIRING DIAGRAM

AMERICAN PERMANENT WARE, INC.
729 THIRD AVENUE
DALLAS, TX. 75226

