



**REPLACEMENT PARTS CATALOG**

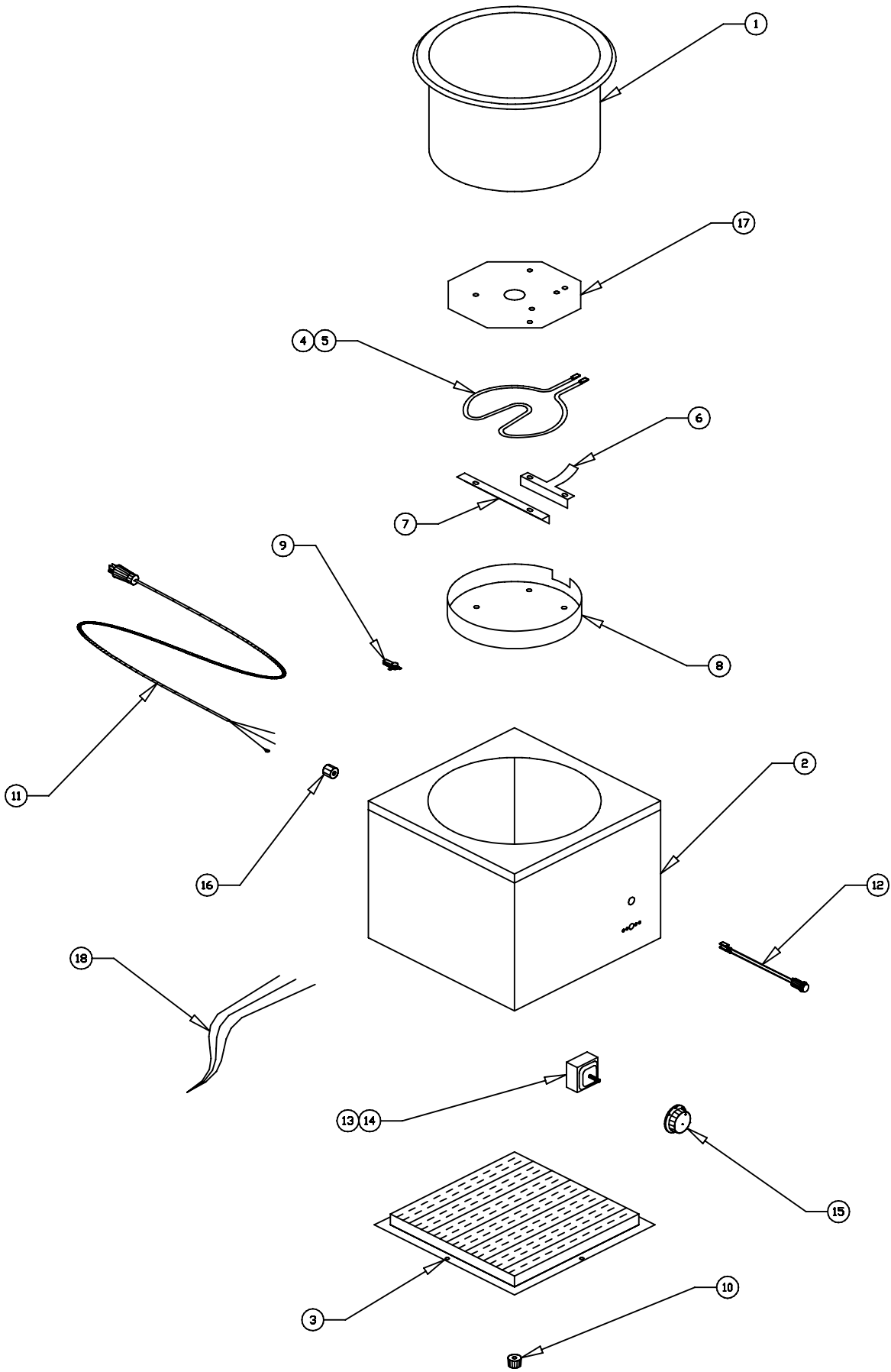
**W-2**  
**COUNTERTOP WARMER**

**W-2 55811 - 120V/800W**  
**W-2 55877 - 240V/800W**

APW / WYOTT  
FOOD SERVICE EQUIPMENT CO.  
DALLAS, TX 75226

## W-2 COUNTERTOP WARMER

ITEM	STOCK		
	NUMBER	NUMBER	DESCRIPTION
1		55914	WELL PAN
2		55913	WRAPPER ASSEMBLY
3		55691	BOTTOM COVER
4		55960	HEATING ELEMENT/120V-800W
4		55962	HEATING ELEMENT/240V-800W
5		55696	ANTI-ROTATION CLAMP
6		55695	ELEMENT CLAMP
7		55989	ELEMENT COVER
8		69106	LIMITING THERMOSTAT
9		55768	FOOT
10		55947	CORD
11		56530	INDICATOR LIGHT
12		55564	INFINITE CONTROL
13		55817	KNOB
14		89101	STRAIN RELIEF BUSHING
15		50817	HEAT TRANSFER PLATE
16		55764	WIRE SET
		88961	10-24 GREEN HEX NUT
		89061	10-24 HEX NUT
		89073	#8 x 1/2 HEX SHEET METAL SCREW
		89087	8-32 x 3/16 BINDING MACHINE SCREW
		89025	10-24 SPEED NUT
		89059	#10 EXTERNAL LOCKWASHER



# W-2 WIRING DIAGRAM

AMERICAN PERMANENT WARE, INC.  
729 THIRD AVENUE  
DALLAS, TX. 75226

