



REPLACEMENT PARTS CATALOG

W-3

COUNTERTOP WARMER

W-3 55812 - 120V

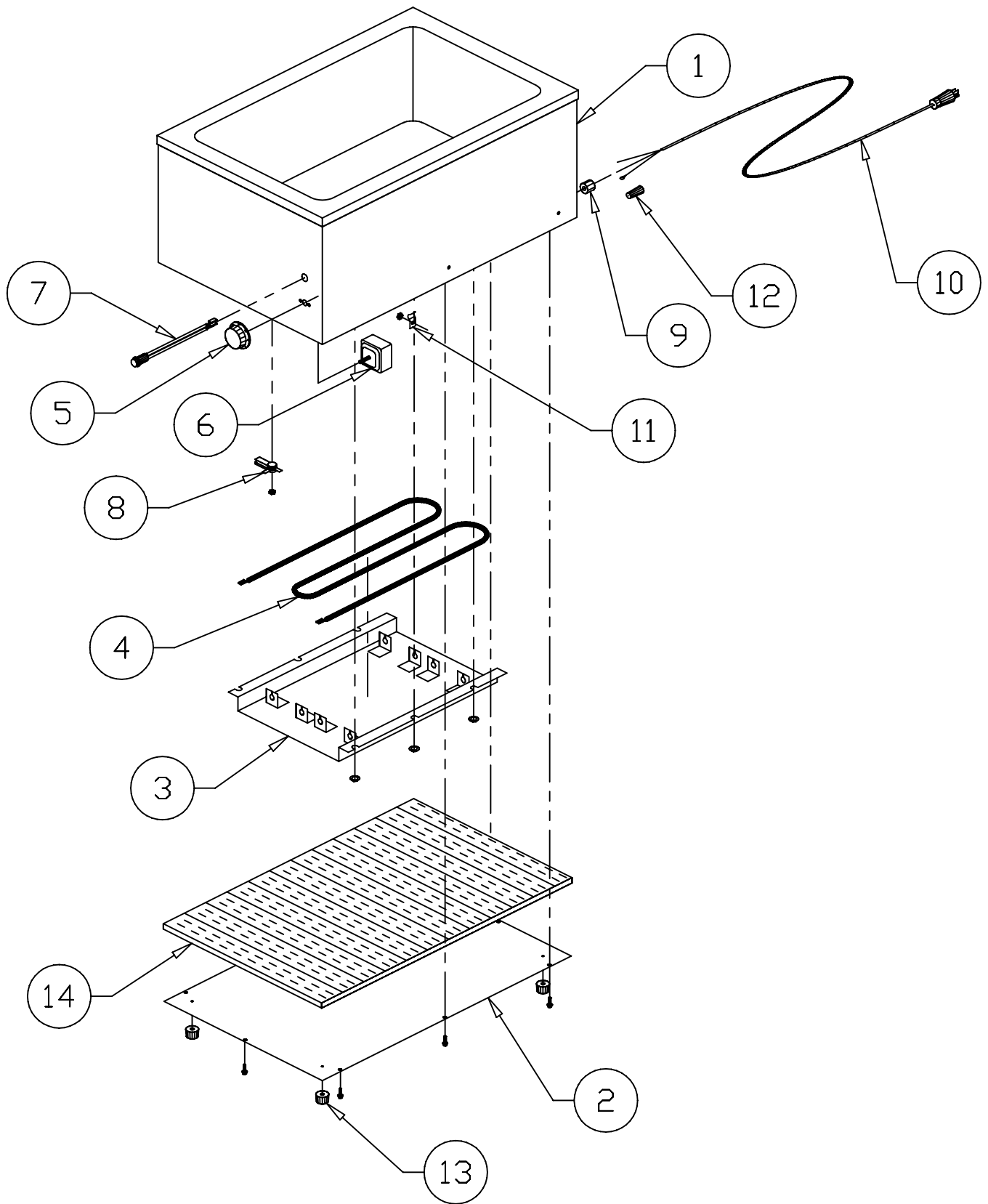
APW / Wyott
FOOD SERVICE EQUIPMENT CO.
DALLAS, TX 75226

Part No. 67107 – Rev 3/2000

W-3 WARMER

ITEM NUMBER	STOCK NUMBER	DESCRIPTION
1	55972	PAN AND WRAPPER ASSEMBLY
2	55895	BOTTOM COVER
3	56506	REFLECTOR PLATE
4	55446	ELEMENT 120V-1200W
5	55817	KNOB, TSTAT
6	55564	INFINITE CONTROL
7	56530	INDICATOR LIGHT
8	69106	LIMITING THERMOSTAT
9	89101	STRAIN RELIEF BUSHING
10	55947	POWER CORD
11	89120	JIFFY CLIP
12	89475	SET SCREW WIRE NUT
13	55768	RUBBER FOOT
14	54817	INSULATION
	89054	6-32 KEPS NUT
	89073	#8 x 1/2 SHEET METAL SCREW
	88961	10-24 GREEN HEX NUT
	89025	10-24 SPEED NUT
	89061	10-24 HEX NUT
	89059	#10 EXTERNAL LOCKWASHER

**FOR UNITS SERIAL NUMBER 9010001
AND ABOVE**



W3'S WIRING DIAGRAM

AMERICAN PERMANENT WARE, INC.
729 THIRD AVENUE
DALLAS, TX. 75226

