



REPLACEMENT PARTS CATALOG

W-4

COUNTERTOP WARMER

W-4 56809 - 120V/400W

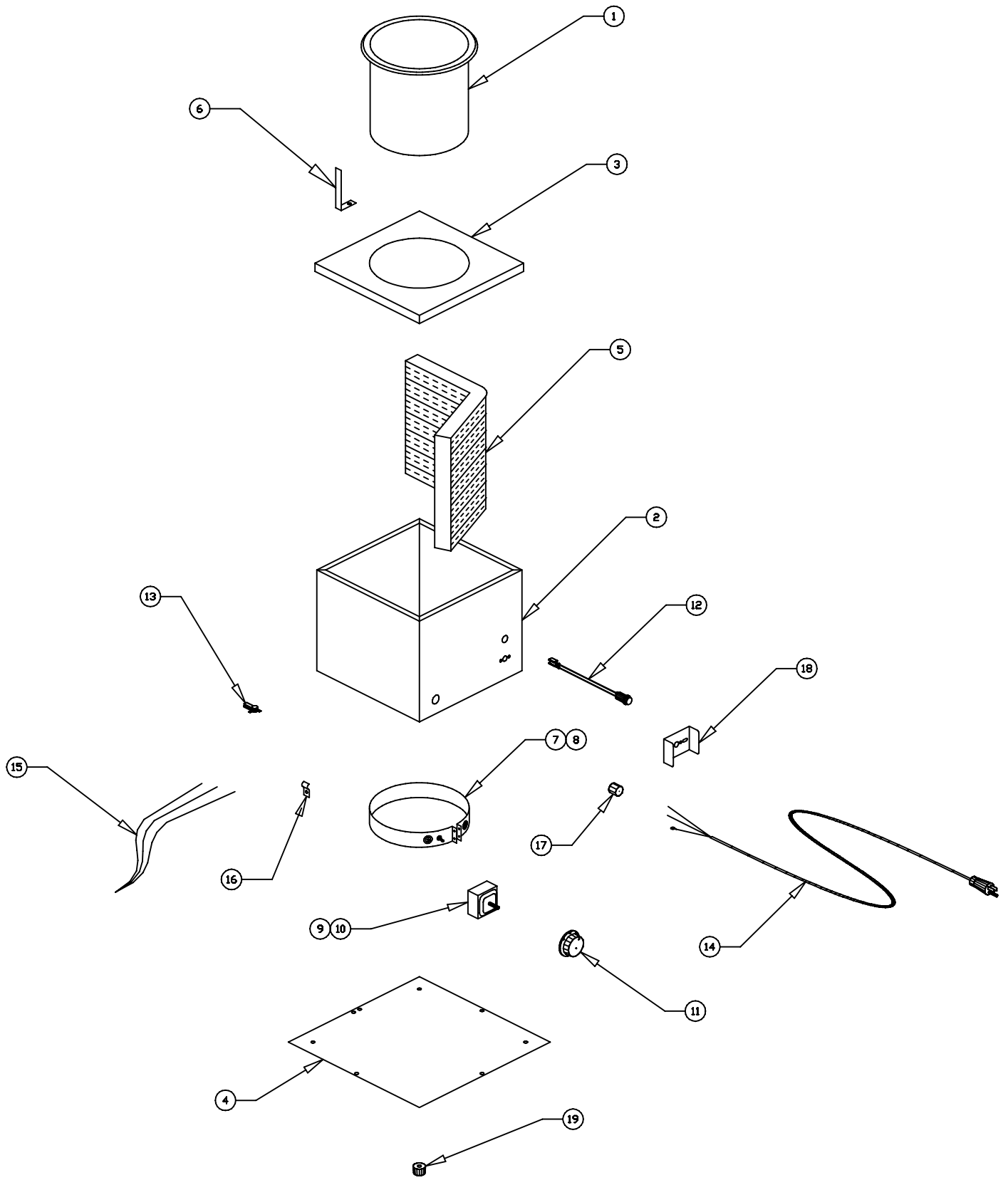
W-4 56904 - 240V/400W

APW / WYOTT
FOOD SERVICE EQUIPMENT CO.
DALLAS, TX 75226

Part No. 67135 – Rev. 3/2000

W-4 COUNTERTOP WARMER

ITEM NUMBER	STOCK NUMBER	DESCRIPTION
1	56693	WELL POT ASSEMBLY
2	56676	WRAPPER ASSEMBLY
3	56696	TOP ASSEMBLY
4	56679	BOTTOM COVER
5	56816	INSULATION
6	56818	HEAT SINK
7	56843	ELEMENT 120V 400W
8	54024	ELEMENT 240V 400W
9	55564	INFINITE CONTROL 120V
10	87053	INFINITE CONTROL 240V
11	55817	KNOB, INFINITE CONTROL
12	56530	INDICATOR LIGHT
13	69107	LIMIT THERMOSTAT
14	55947	CORD
15	56850	WIRE HARNESS
16	89120	JIFFY CLIP
17	89101	STRAIN RELIEF BUSHING
18	54801	KNOB GUARD
19	55768	RUBBER FOOT
	89054	6-32 KEPS NUT
	88961	10-24 GREEN HEX NUT
	89061	10-24 HEX NUT
	89059	#10 EXTERNAL LOCKWASHER
	89073	#8 x 1/2 HEX SHEET METAL SCREW
	89087	8-32 x 3/16 BINDING MACHINE SCREW



W-4 WIRING DIAGRAM

AMERICAN PERMANENT WARE, INC.

729 THIRD AVENUE

DALLAS, TX. 75226

HEATING ELEMENT

LIMITING
THERMOSTAT

INFINITE
CONTROL

INDICATOR
LIGHT

