



REPLACEMENT PARTS CATALOG

W-6

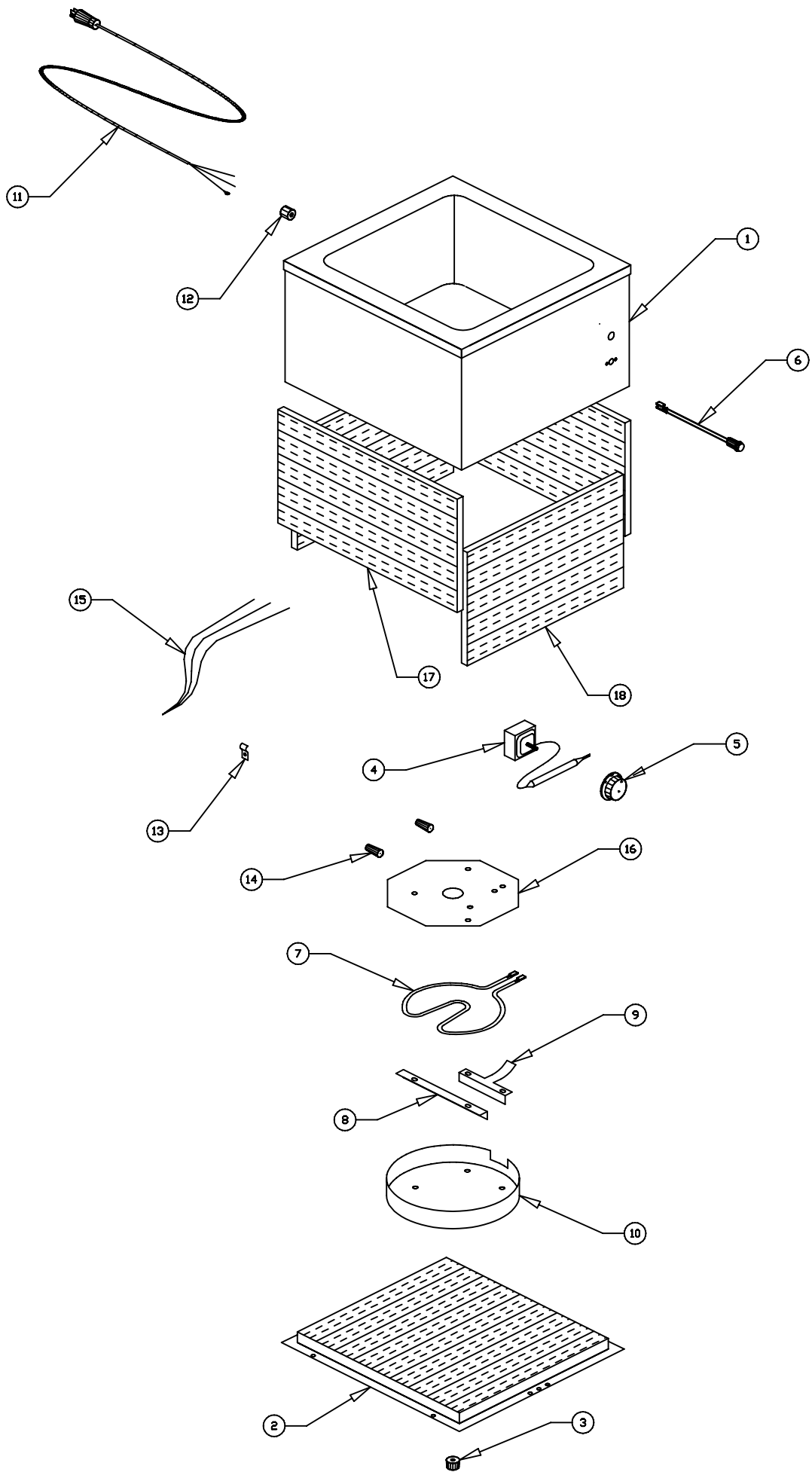
COUNTERTOP WARMER

W-6 56922 - 120V/800W

APW / Wyott
FOOD SERVICE EQUIPMENT CO.
DALLAS, TX 75226

W-6 COUNTERTOP WARMER

ITEM NUMBER	STOCK NUMBER	DESCRIPTION
1	56950	PAN & WRAPPER ASSEMBLY
2	56960	BOTTOM COVER
3	55768	FOOT
4	60320	THERMOSTAT
5	56528	KNOB
6	56530	INDICATOR LIGHT
7	55960	HEATING ELEMENT 120V-800W
8	55695	ELEMENT CLAMP
9	55696	ANTI-ROTATION CLAMP
10	55992	ELEMENT COVER
11	55947	CORD
12	89101	STRAIN RELIEF BUSHING
13	89120	JIFFY CLIP
14	75490	PORCELAIN WIRE NUT
15	56964	WIRE SET
16	50817	HEAT TRANSFER PLATE
17	56955	SIDE INSULATION
18	56956	FRONT & BACK INSULATION
	89061	10-24 HEX NUT
	89073	#8 x 1/2 HEX SHEET METAL SCREW
	88961	10-24 GREEN HEX NUT
	89059	#10 EXTERNAL LOCKWASHER



W-6 WIRING DIAGRAM

AMERICAN PERMANENT WARE, INC.
729 THIRD AVENUE
DALLAS, TX. 75226

