



REPLACEMENT PARTS CATALOG

**W4-2**

**DUAL 4 QT. WARMER**

W4-2 56681 - 120V/400W

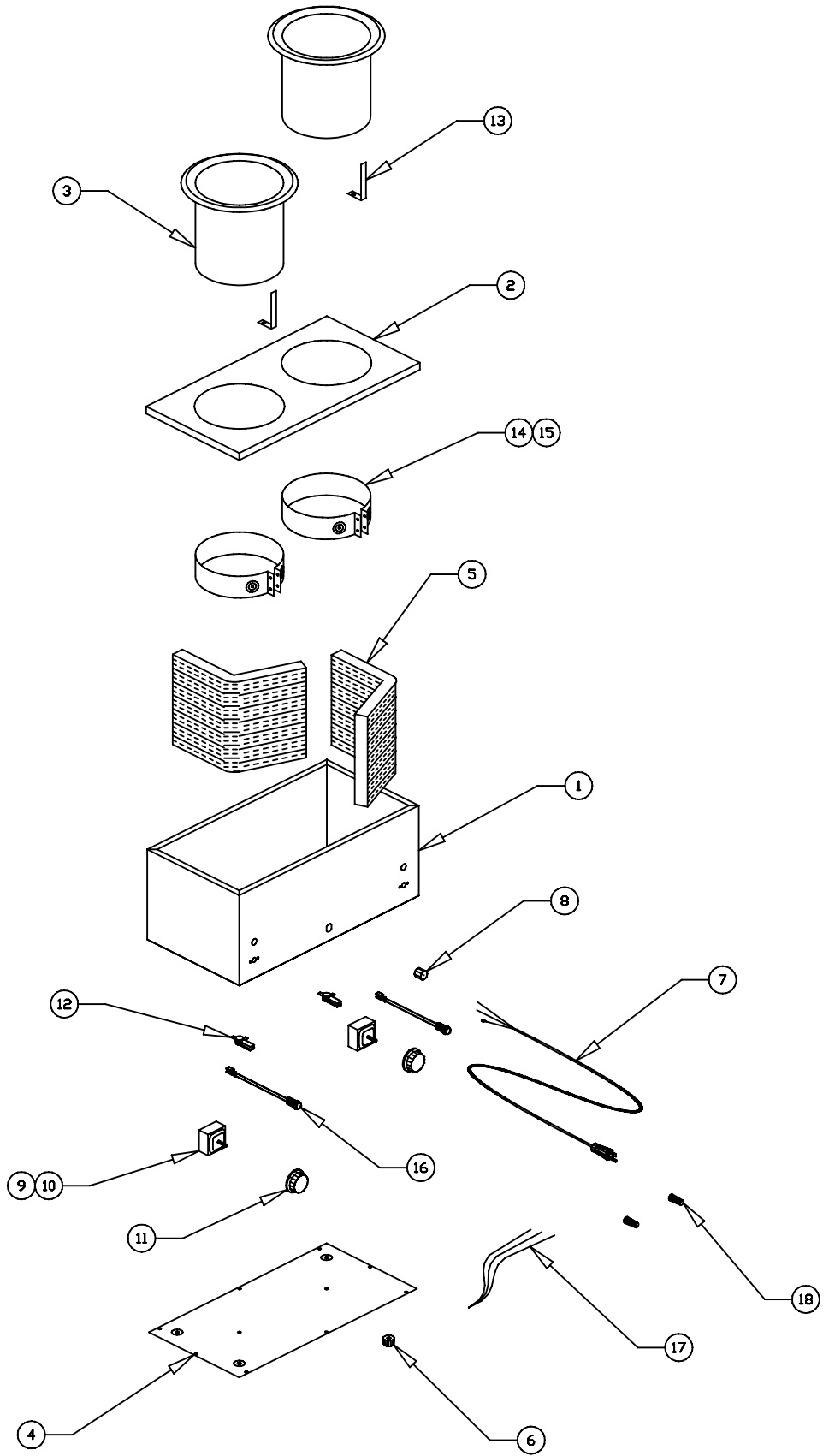
W4-2 56697 - 240V/400W

**APW / Wyott**  
FOOD SERVICE EQUIPMENT CO.  
DALLAS, TX 75226

**W4-2 WARMER**

Part No. 67129 – Rev. 3/2000

| ITEM NUMBER | STOCK NUMBER | DESCRIPTION                       |
|-------------|--------------|-----------------------------------|
| 1           | 56688        | WRAPPER ASSEMBLY                  |
| 2           | 56689        | TOP ASSEMBLY                      |
| 3           | 56693        | WELL POT ASSEMBLY                 |
| 4           | 56687        | BOTTOM COVER                      |
| 5           | 56816        | INSULATION                        |
| 6           | 55768        | RUBBER FOOT                       |
| 7           | 55947        | POWER CORD                        |
| 8           | 89101        | STRAIN RELIEF BUSHING             |
| 9           | 55564        | INFINITE CONTROL                  |
| 10          | 87053        | INFINITE CONTROL, 240V            |
| 11          | 55817        | KNOB, INFINITE CONTROL            |
| 12          | 69107        | HIGH LIMIT THERMOSTAT             |
| 13          | 56818        | HEAT SINK                         |
| 14          | 56843        | HEATING ELEMENT 120V-400W         |
| 15          | 54024        | HEATING ELEMENT 240V-400W         |
| 16          | 56530        | INDICATOR LIGHT                   |
| 17          | 56694        | WIRE HARNESS                      |
| 18          | 89475        | SET SCREW WIRE NUT                |
|             | 88961        | 10-24 GREEN HEX NUT               |
|             | 89054        | 6-32 KEPS NUT                     |
|             | 89061        | 10-24 HEX NUT                     |
|             | 89073        | #8 x 1/2 HEX SHEET METAL SCREW    |
|             | 89087        | 8-32 x 3/16 BINDING MACHINE SCREW |
|             | 89120        | JIFFY CLIP                        |



# W4-2 WIRING DIAGRAM

AMERICAN PERMANENT WARE, INC.  
729 THIRD AVENUE  
DALLAS, TX. 75226

HEATING ELEMENT

HEATING ELEMENT

