



30 Pine Street • New Rochelle • New York • 10801

914 / 576 - 0200

914 / 576 - 0605 fax

1 - 800 - 431 - 2745 US & Canada

www.bakerspride.com web address

C011-E

Full Size Electric Convection Oven

PARTS LIST

Cyclone
SERIES



Model Number: **C011-E**

Voltage/Phase

208V/3

220-240V/3

Serial Number: _____

208V/1

220-240/1

400V/3

C011-E

Full Size Electric Convection Oven

30 Pine Street • New Rochelle • New York • 10801

914 / 576 - 0200

914 / 576 - 0605 fax

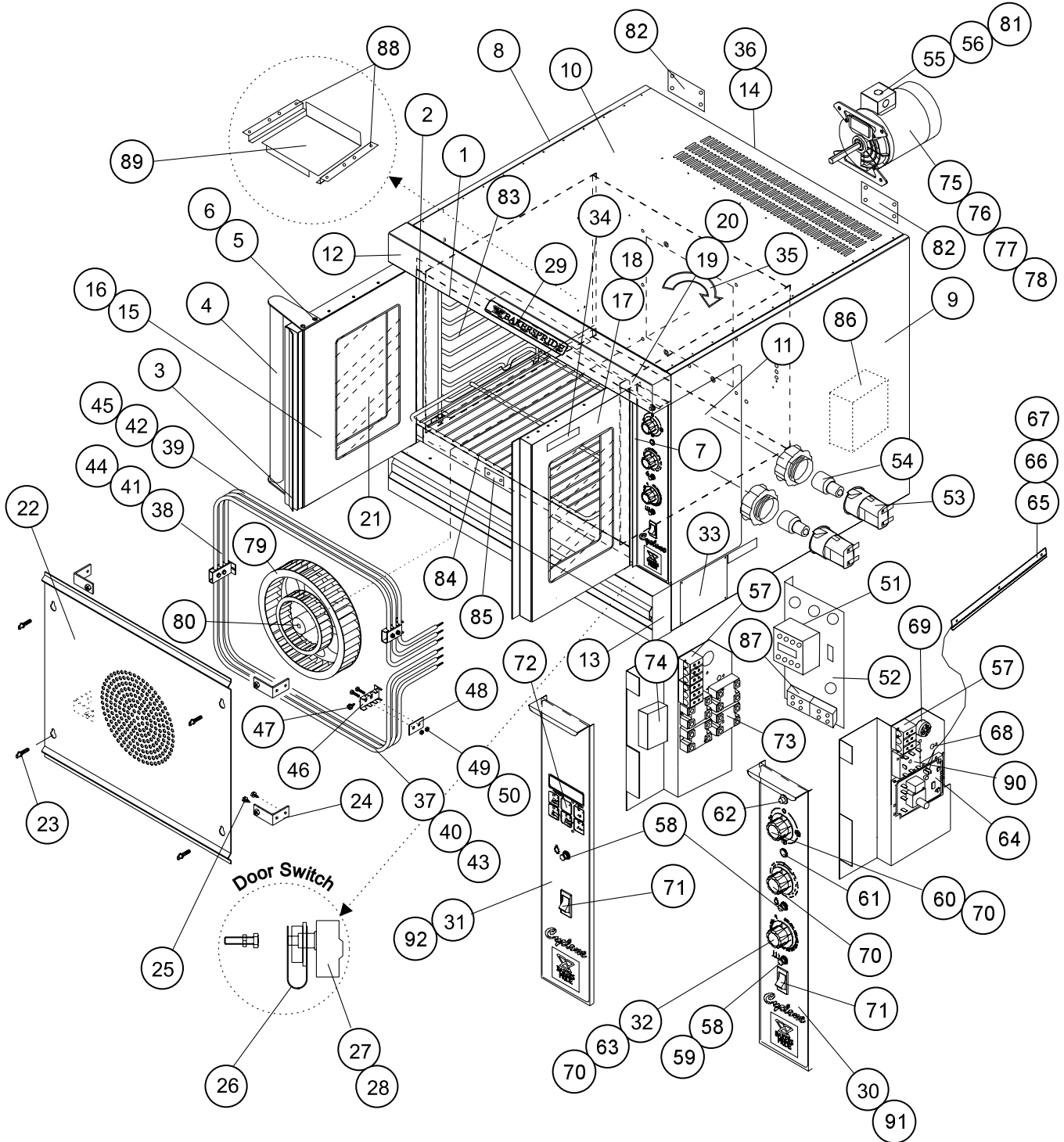
1 - 800 - 431 - 2745 US & Canada

www.bakerspride.com web address



Figure A

Exterior / Interior / Elements / Controls / Door





30 Pine Street • New Rochelle • New York • 10801

914 / 576 - 0200

914 / 576 - 0605 fax

1 - 800 - 431 - 2745 US & Canada

www.bakerspride.com web address

CO11-E

Full Size Electric Convection Oven

Item	Part #	Description	Item	Part #	Description
Exterior / Interior / Elements / Controls / Door					
1	E3450X	Door Seal, Top & Bottom (2)	47	Q1407A	Screw, Hx Hd, #10x1/2
2	E3451K	Door Seal, Sides (2)	48	K1375E	Element Bracket, Flat (4)
3	E3466U	Door Closure Strip	49	Q3017A	Star Washer #10
4	S1317U	Door Handle	50	Q1402A	Nut, 10-32
5	Q1477A	Screw, FH 10-32x1/2 (4)	51	M1030X	Contactora, 208/240V
6	Q3047A	#10 Lockwasher, Countersunk, Ext. (4)	52	E3616X	Contactora Bracket
7	E3487X	Vertical Trim	53	P1145X	Snap-In Light Assy (w/240V Bulb)
8	E3485K	Outer Cover (Left)	54	P1147X	Light Bulb (15W,240V)
9	E3486K	Outer Cover (Right)	55	P1082A	Conduit BX, 3/8"
10	E3618K	Outer Cover (Top)	56	P1084A	Bushing, Anti-Short, 3/8"
11	E3499X	Access Cover (Side)	57	P1003X	Terminal Block (3 Pole)
12	E3488X	Top Trim	58	M1049X	Switch, Momentary (SPST)
13	E3490X	Bottom Apron	59	S1171A	Plug Button, 7/16"
14	E3514X	S/S Perforated Rear Panel	60	M1326X	Switch, Rotary (EGO)
15	E3454X	Door Assy Left (No Window)	61	M1339A	Pilot Light Amber (Thermostat)
16	E3458X	Door Assy Left (w/Window)	62	P1128X	Pilot Light Green (Power)
17	E3456X	Door Assy Right (No Window)	63	M1346X	Timer, 60 Minutes (208/240V)
18	E3460X	Door Assy Right (w/Window)	64	M1227X	GC-20 T-stat w/Knob (208/240V)
19	S3229A	Door Rod	65	M1204X	Temperature Sensor, 60"
20	Q4033A	Roll Pin 1/4 x 1 1/4	66	E3219K	Clamp, Temperature Sensor (1)
21	S1048X	Window Assy	67	P1042A	Victor Clamp, Temp Sensor (3)
22	E3053K	Baffle Plate	68	M1176X	Potentiometer
23	Q2009A	Thumb Screw, 1/4-20x1/2 (4)	69	M1335X	Bell Audiolarm
24	E3095X	Baffle Plate Bracket Assy (4)	70	S1311X	Knob (3)
25	Q1414A	Screw, Hex Hd, #10x3/4 (8)	71	M1352X	Ckt Breaker, 120-240V, 15A
26	E3471K	Door Switch Actuator	72	M1306X	Minichief Controller
27	M1102X	Microswitch (Rotary)	73	M1356A	Solid State Relay, CE
28	M1172X	Microswitch (Minichief)	74	M1174X	Transformer (208/240V-24V)
29	U1043X	Bakers Pride Name Plate (13 3/4")	75	M1217X	Motor, 1/4HP, 2Spd, 200-230V,50-60
30	U1300A	Control Panel Overlay (Rotary)	76	Q3008A	Flat Washer (4)
31	U1301A	Control Panel Overlay (Minichief)	77	Q3014A	Lock Washer, Split (4)
32	U1296A	Timer Overlay (50 cycle only)	78	Q2204A	Nut, 5/16 HX, 5/16-18 (4)
33	U1299A	Rating Plate (Bi-Lingual)	79	S1195X	Blower Wheel
34	U1192A	Caution Hot Label (Bi-Lingual)	80	Q2302A	Bolt, Wheel Puller 3/8-16x2 Hx (2)
35	U1169A	Motor Rotation Arrow	81	P1108A	Conduit Connector, 3/8x24"
36	U1210A	Installation Warning (English)	82	E3225X	Stacking Bracket, CO11-E2 Only (each)
37	L1087X	Element, Front, 208V, 3333W	83	T3044A	Rack Support
38	L1088X	Element, Center, 208V, 3333W	84	T3043A	Wire Rack
39	L1089X	Element, Rear, 208V, 3333W	85	E3531K	Door Limit Block
40	L1090X	Element, Front, 230V, 3333W	86	M1238X	Transformer, 480/240V, (480 Elem only)
41	L1091X	Element, Center, 230V, 3333W	87	P1004X	Terminal Block (4 Pole)
42	L1092X	Element, Rear, 230V, 3333W	88	E3614K	Cut-Out Cover, Offset (L & R)
43	L1104X	Element, Front, 460V, 3333W	89	E3615K	Cut-Out Cover
44	L1105X	Element, Center, 460V, 3333W	90	M1231A	Steam Timer 208/230V
45	L1106X	Element, Rear, 460V, 3333W	91	E3619K	Control Panel, Rotary
46	K1100X	Element Bracket, Bent (4)	92	E3627K	Control Panel, Minichief

C011-E

Full Size Electric Convection Oven

30 Pine Street • New Rochelle • New York • 10801

914 / 576 - 0200

914 / 576 - 0605 fax

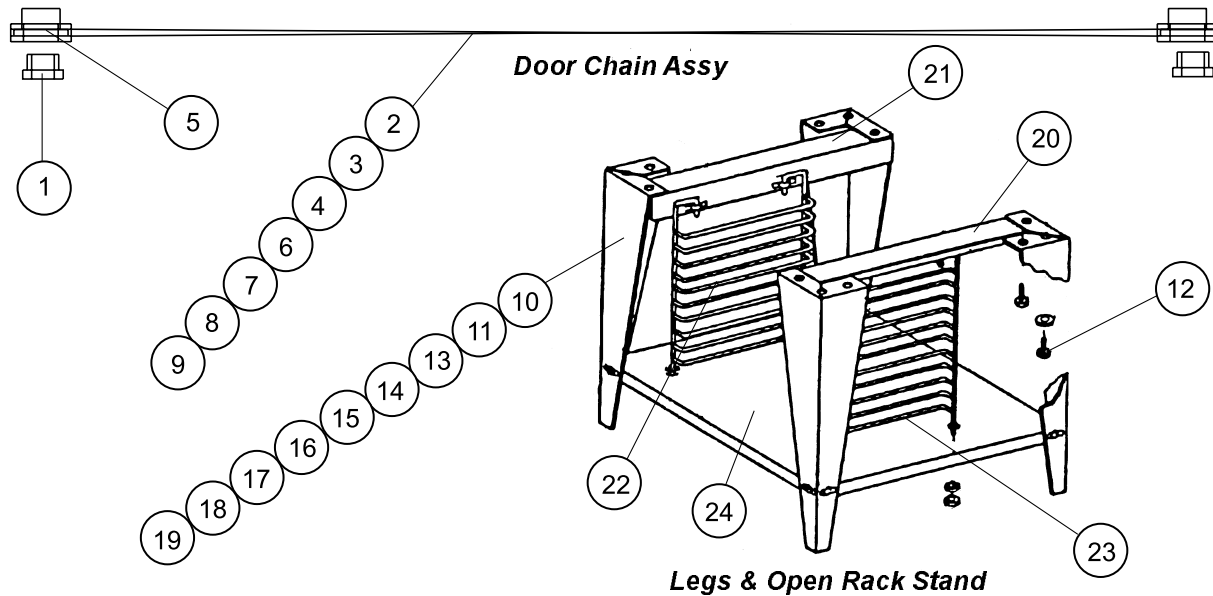
1 - 800 - 431 - 2745 US & Canada

www.bakerspride.com web address



Figure B

Door Chain / Legs & Open Rack Stand



Item	Part #	Description	Item	Part #	Description
1	S3228A	Flange Bearing (4)	13	S1252T	24 1/2" S/S Leg (each) Used w/Casters
2	S3231X	Door Chain Assy (Complete)	14	S1081X	Casters, 4" (Set of 4)
3	S3226A	Door Chain Rod (Short)	15	S1022X	Caster, 4" (No Lock), each
4	S3227A	Door Chain Rod (Long)	16	S1023X	Caster, 4" (w/Lock), each
5	S3145X	Sprocket	17	K1357E	Mounting Plate (for Casters) each
6	S3112X	Roller Chain #35	18	S1049Y	6" Bullet Legs (Set of 4)
7	S3224A	Chain Connection Link #41	19	S1049A	6" Bullet Legs (each)
8	S3223A	Turnbuckle 1/4-20x3"	20	E3148U	Top Right Angle, Open Rack Stand
9	Q2039A	1/4-20 Hex Nut, Left Hand Thread (2)	21	E3149U	Top Left Angle, Open Rack Stand
10	S1050Y	30" Leg (Set of 4)	22	T3051X	Left Rack Support, Open Rack Stand
11	Q4017V	Leg Bolt, Set (For 4 Legs)	23	T3052X	Right Rack Support, Open Rack Stand
12	S1217Y	24 1/2" S/S Leg (Set/4) Used w/Casters	24	T8075X	Bottom Shelf w/Hardware, Open Rack Stand

Steam Option (Not Shown)

N/S	M1114X	Solonoid Valve	N/S	N5814A	1/8x2 3/8 Nipple
N/S	M1115X	Coil (For Solonoid Valve)	N/S	N5815A	1/4 Tubing x 9"
N/S	N3039A	1/8 Brass Coupling	N/S	N1019X	Steam Injection Nozzle
N/S	N3040A	1/8 Brass Elbow	N/S	M1231A	Steam Timer, 208/230V
N/S	N5831A	1/8x4" Brass Nipple	N/S	M1176X	Steam Potentiometer
N/S	N3041A	1/8NPT-1/4 Compression Fitting	N/S	M1049X	Momentary Switch (Steam)