



30 Pine Street • New Rochelle • New York • 10801  
 914 / 576 - 0200  
 914 / 576 - 0605 fax  
 1 - 800 - 431 - 2745 US & Canada  
 www.bakerspride.com web address

# CTB-60R/GS

Gas Char Broiler

## PARTS LIST

*Dante*  
SERIES



Model Number: **CTB-60R/GS**

Serial Number \_\_\_\_\_

**Type of Gas**

Natural

L.P.

Other

# CTB-60R/GS

Gas Char Broiler

30 Pine Street • New Rochelle • New York • 10801

914 / 576 - 0200

914 / 576 - 0605 fax

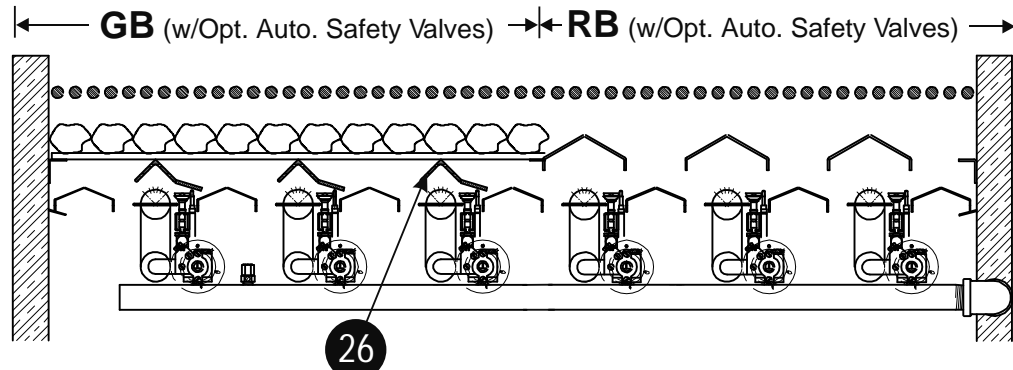
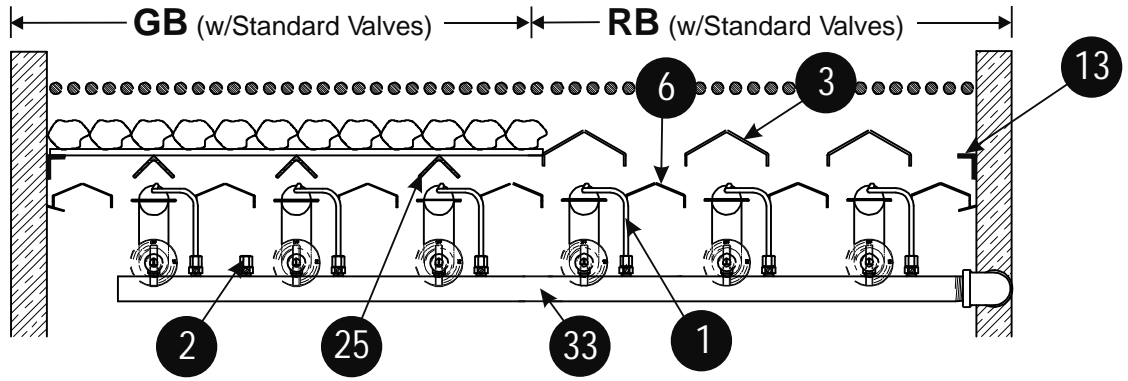
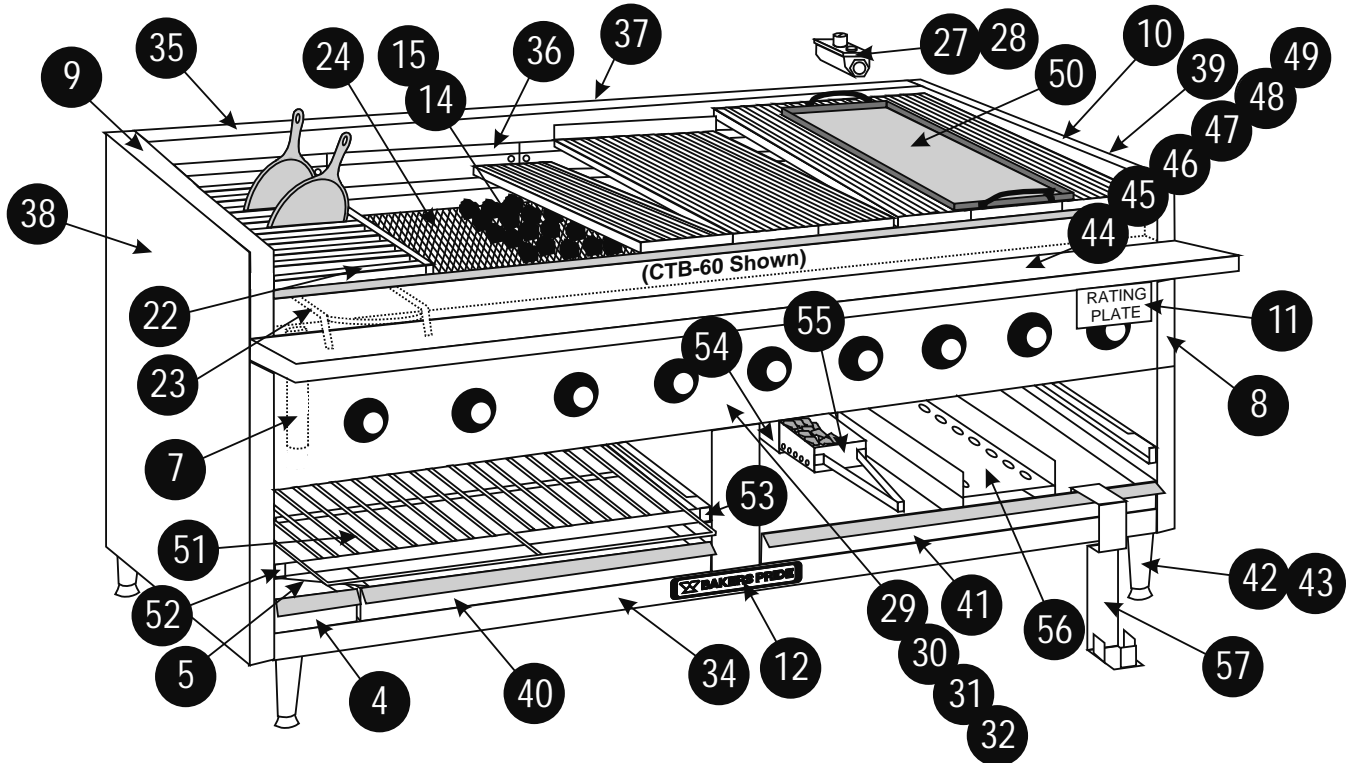
1 - 800 - 431 - 2745 US & Canada

www.bakerspride.com web address



Figure A

## Exterior / Interior





30 Pine Street • New Rochelle • New York • 10801  
 914 / 576 - 0200  
 914 / 576 - 0605 fax  
 1 - 800 - 431 - 2745 US & Canada  
 www.bakerspride.com web address

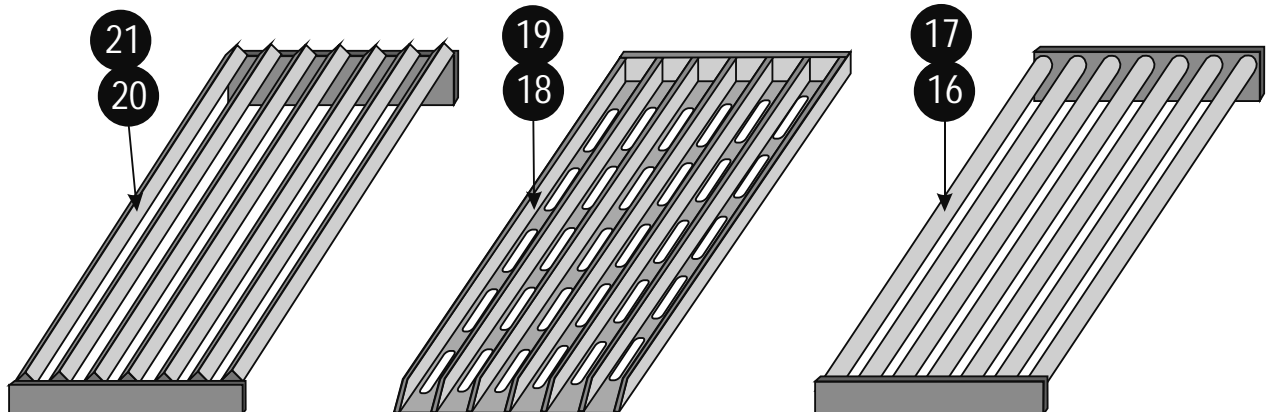
# CTB-60R/GS

Gas Char Broiler

Item	Part #	Description	Item	Part #	Description
<b>Exterior / Interior</b>					
1	R3042X	Pilot Tube, 7 3/8" w/Nut & Ferrule	30	G5174K	Control Panel, CE-60
2	N3068P	Pressure Tap Nozzle	31	U1323A	Control Panel Overlay-60
3	G5073X	Radiant S/S (Standard)	32	U1328A	Control Panel Overlay, CE-60
4	G5069K	Grease Drawer	33	R1122A	Manifold-60
5	G5070U	Grease Shield Assy	34	G5162K	Front Trim-60
6	G5072K	Heat Shield	35	G5166K	Back Trim-60
7	G5128U	Grease Drain Assy-60	36	G5143K	Top Grate Support, 18 1/2" /3
8	G5212K	Manifold Cover	37	G5154K	Outer Back-CTB60
9	G5060K	Side Trim, Left	38	G5054K	Outer Side, Left-CTB
10	G5061K	Side Trim, Right	39	G5055K	Outer Side, Right-CTB
11	G5205K	Rating/Instruction Plate Mount	40	G5178K	Drip Pan, 22 1/2" /1
12	U1044X	Bakers Pride Name Plate, 8"	41	G5167K	Drip Pan, 26 1/2" /1
13	G5039K	Bottom Grate Support, L or R Side	42	S1014Y	Legs, 4" (Standard) each
14	T1047X	Glo-Stones, 1/2 Lot (20#)	43	S1014X	Legs, 4" (Standard) Set/4
15	T1048X	Glo-Stones, Full Lot (40#)	44	G5135K	Work Deck-60
16	T1197X	Top Roll-A-Grate, 9" (Standard) /1	45	G5124U	Front Brace Assy-60
17	T1198X	Top Roll-A-Grate, 6" (Standard) /8	46	G5244K	Work Deck-60, 10"
18	T1212A	Top Grate, 6", Cast Iron (Optional)	47	G5245U	Front Brace Assy-60, 10"
19	T1216A	Top Grate, 4 1/2", Cast Iron (Optional)	48	G5312K	Work Deck-60, 12"
20	T1210X	Meat Grate, 6" (Optional)	49	G5313U	Front Brace Assy-60, 12"
21	T1211X	Meat Grate, 9" (Optional)	50	T1209U	Breakfast Griddle, 11"W (Optional)
22	T1213T	Fajita Top Grate (Optional)	51	T1207U	Wire Rack, 27" /2
23	T1214T	Fajita Bottom Grate (Optional)	52	G5131U	Left Wire Rack Guide Assy
24	T1204A	Bottom Grate, S/S, 28" /2	53	G5132U	Right Wire Rack Guide Assy
25	G5040U	Bottom Grate Support /9	54	G5180U	Smoker Box Assy (No Drawer)
26	G5041U	Bottom Grate Support (CE) /9	55	G5187U	Drawer, Smoker Box
27	M1067X	Pressure Regulator 1", 10"W.C. (LP)	56	G5182U	Log Support (Optional)
28	M1418A	Pressure Regulator 1", 3.5"W.C. (Nat)	57	G5186K	Bottle Holder, RH (Optional)
29	G5170K	Control Panel-60			

**Figure B**

## Grates



# CTB-60R/GS

Gas Char Broiler

30 Pine Street • New Rochelle • New York • 10801

914 / 576 - 0200

914 / 576 - 0605 fax

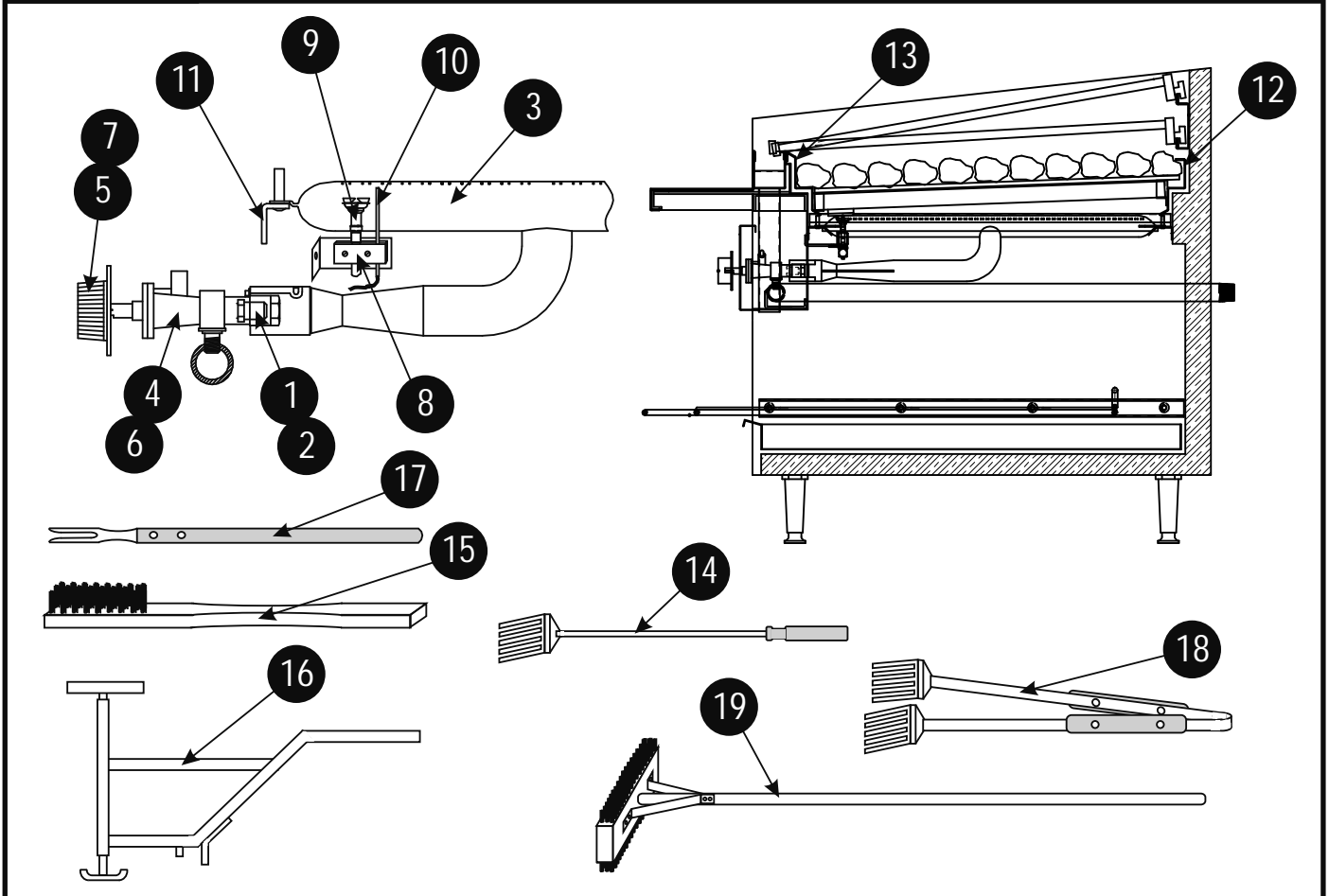
1 - 800 - 431 - 2745 US & Canada

www.bakerspride.com web address



**Figure C**

## Burner / Accessories / Supports



Item	Part #	Description	Item	Part #	Description
1	R3136X	Hood Orifice #54 (LP)	11	G5028U	Burner Support Assy, 17" /6
2	R3130X	Hood Orifice #44 (Nat)	12	G5044U	Radiant Support Assy, Rear 18" /3
3	L5077X	Burner, Center Feed	13	G5046U	Radiant Support Assy, Front 18" /3
4	R3032X	Gas Valve	14	T5018V	Spatula, Chef-Aide, 20" Single
5	S1094X	Knob, Gas Valve	15	T5017X	Wire Brush, Chef-Aide, 18"
6	R3128X	Gas Valve (used w/Pilot Safety)	16	G5221U	Grate Lifter
7	S1301X	Knob, Gas Valve, CE (used w/Pilot Safety)	17	T5016A	Meat Fork
8	G5064K	Pilot Bracket (used w/Pilot Safety)	18	T5019V	Steak Turner
9	M1359X	Pilot Burner (used w/Pilot Safety)	19	T5104V	Twin Head Grate Brush
10	M1358X	Thermocouple, 10" (used w/Pilot Safety)			
<b>Conversion Kit (LP to Nat)</b>			<b>Conversion Kit (Nat to LP)</b>		
9	R3130X	Hood Orifice #44 (Nat)	9	R3136X	Hood Orifice #54 (LP)
1	M1418A	Pressure Regulator 1", 3.5"W.C. (Nat)	1	M1067X	Pressure Regulator 1", 10"W.C. (LP)