









INSTALLATION AND OPERATING INSTRUCTIONS
**FLOOR MODEL
ELECTRIC DECK OVENS**
INTENDED FOR OTHER THAN HOUSEHOLD USE

Models: **EP, EB, ER**

RETAIN THIS MANUAL FOR FUTURE REFERENCE
OVEN MUST BE KEPT CLEAR OF COMBUSTIBLES AT ALL TIMES

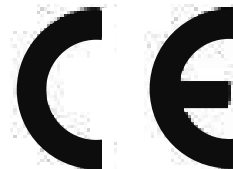
 **FOR YOUR SAFETY:** *Do not store or use gasoline or other flammable vapors and liquids in the vicinity of this or any other appliance.* 

 **WARNING:** *Improper installation, adjustment, alteration, service or maintenance can cause property damage, injury or death. Read the Installation, Operating and Maintenance Instructions thoroughly before installing or servicing this equipment.* 

 **WARNING:** *Initial heating of oven may generate smoke or fumes and must be done in a well-ventilated area. Overexposure to smoke or fumes may cause nausea or dizziness.* 

Note: Only *Pizza* or *Bread* can have direct contact with ceramic decks. All other food products must be placed in a pan or container to avoid direct contact with ceramic decks.

This equipment has been engineered to provide you with year round dependable service when used according to the instructions in this manual and standard commercial kitchen practices.



BAKERS PRIDE OVEN CO., INC.
30 Pine Street
New Rochelle, NY 10801

P/N U4190A 9/07

(914) 576-0200 Phone
(914) 576-0605 Fax

(800) 431-2745 US & Canada
www.bakerspride.com Web Address

INDEX

INSTALLATION INSTRUCTIONS

SECTION	ITEM	PAGE
1	Receiving	3
2	Location and Minimum Clearances	3
3	Installation	3
4	Stacking	5
5	Steam Option	5
6	Installation of Decks	6
7	Electrical Connection	7
8	System Check	8
9	Initial Start-Up	9

OPERATING INSTRUCTIONS

SECTION	ITEM	PAGE
1	General Baking	9
2	General Baking Tips	9
3	Special Features	10
4	Cleaning	10
5	Service and Trouble Shooting	11
6	Rating Plate	11
7	Wiring Diagrams	12-15
8	Warranty	16

Attachment: Parts List EP, EB & ER Series, Large Electric Deck Ovens

INSTALLATION INSTRUCTIONS

MODELS COVERED

MODEL	NUMBER OF ELEMENTS	TOTAL KW	PHASE
EP1(2,3)-8-3836	8 elements per Deck	8 kw per Deck	1 or 3 phase
EP1(2,3)-8-5736	12 elements per Deck	12 kw per Deck	1 or 3 phase
EB1(2,3)-8-3836	8 elements per Deck	8 kw per Deck	1 or 3 phase
EB1(2,3)-8-5736	12 elements per Deck	12 kw per Deck	1 or 3 phase
ER1(2,3)-12-3836	8 elements per Deck	8 kw per Deck	1 or 3 phase
ER1(2,3)-12-5736	12 elements per Deck	12 kw per Deck	1 or 3 phase

1. RECEIVING

Read the notice on the outside carton regarding damage in transit. "CONCEALED DAMAGE", damage discovered after opening the crate(s), must be reported immediately to the carrier. The carrier will perform an inspection of the damage and furnish forms for the consignee's claim against the carrier. Retain all packing material - including outer carton - until the inspection has been completed.

2. LOCATION AND MINIMUM CLEARANCES

Adequate air space must be provided for proper venting of the controls and provisions must be made for venting of the cooking vapors. The Oven must be installed in a well-ventilated area and following minimum clearances must be maintained at all times:

Ovens can be installed with "Zero" clearances (back and sides) from combustible and non-combustible materials.

The Ovens may be installed on combustible Flooring if mounted on the Legs provided. Keep the area around your oven free and clear of all combustible materials.

3. INSTALLATION

Place the oven and parts as close to the area of final installation before uncrating. Your oven is packed sitting on its back. Leave it on its back while unpacking. The pallet may be left under the oven for convenience in further handling. Unpack carefully to avoid damage to the oven. If concealed damage is discovered, follow the instructions detailed in section 1 above.

- Legs are shipped in a separate carton complete with mounting bolts and washers. Firmly bolt two legs (in case of casters, the two with the brakes must be used here) to the upper two corners (front) of the oven as it rests on the pallet. **Note:** (See fig. # 1).
- Using sufficient help, tilt the oven forward and lower it down so that the two front legs come to rest on the floor. (See fig. 2)

WARNING: In case of casters, the brakes must be firmly applied and in a locked position before proceeding with the next step, in order to prevent the oven from rolling away while lifting the back. It is advisable to have a person in front of each caster leg, bracing his foot firmly against the casters.

- Using proper lifting equipment, raise the back of the oven to a height slightly more than the height of the legs, remove the pallet and the rest of the packing material and place a sturdy support under the back side. (See fig. #3)
- Mount the two back legs and firmly tighten the bolts, then lift the back of the oven somewhat and remove the support.
- Provide a suitable restraining chain or cable to securely tether the appliance to the building structure. The restraining chain or cable should be of such length that it will stop movement of the appliance BEFORE there is any strain on the power supply cable.

- f) Move the oven to its final location (in case of casters, release the brakes, then reapply once in position), maintaining the minimum distances specified in section 2. Above.
- g) Remove all loose parts and packages from the oven interior.
- h) Insert the short piece of tapered pipe supplied (see fig. 4) into the hole at the top, located near the left rear corner of the oven (see fig. 5A). Turn it to the desired direction, mark the location of the holes and drill three 1/8" diameter holes, then secure it with the screws supplied for that purpose. This pipe is to prevent accidental closure of the vent opening by items stored on top of the oven.

Figure #1

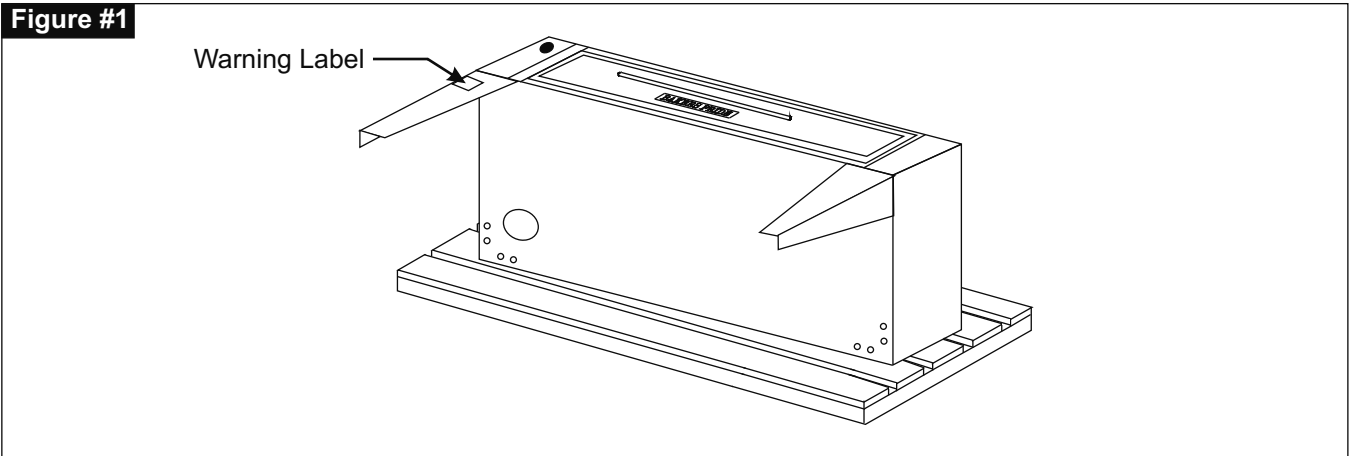


Figure #2

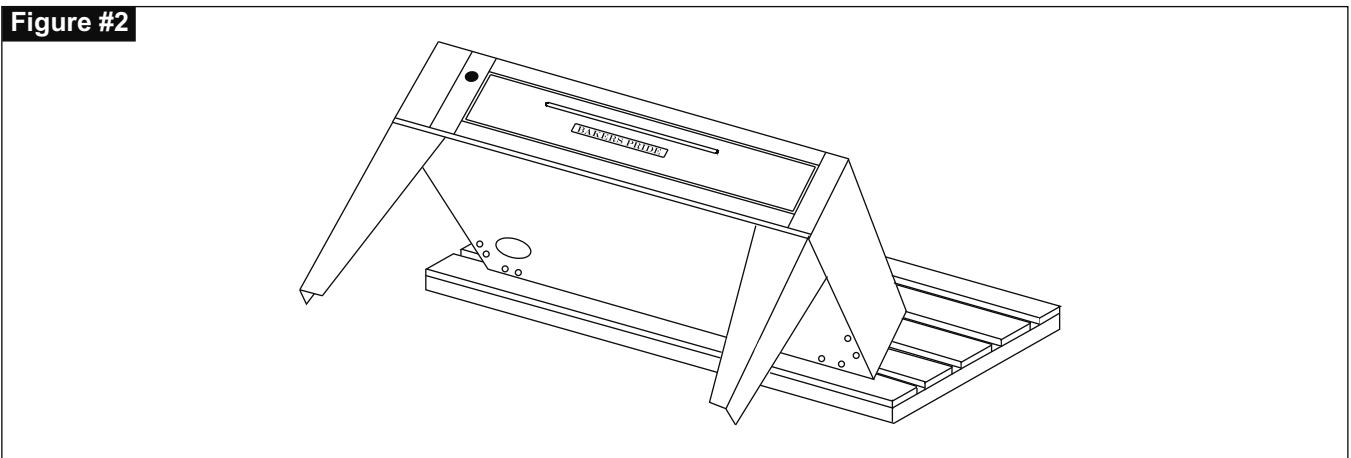


Figure #3

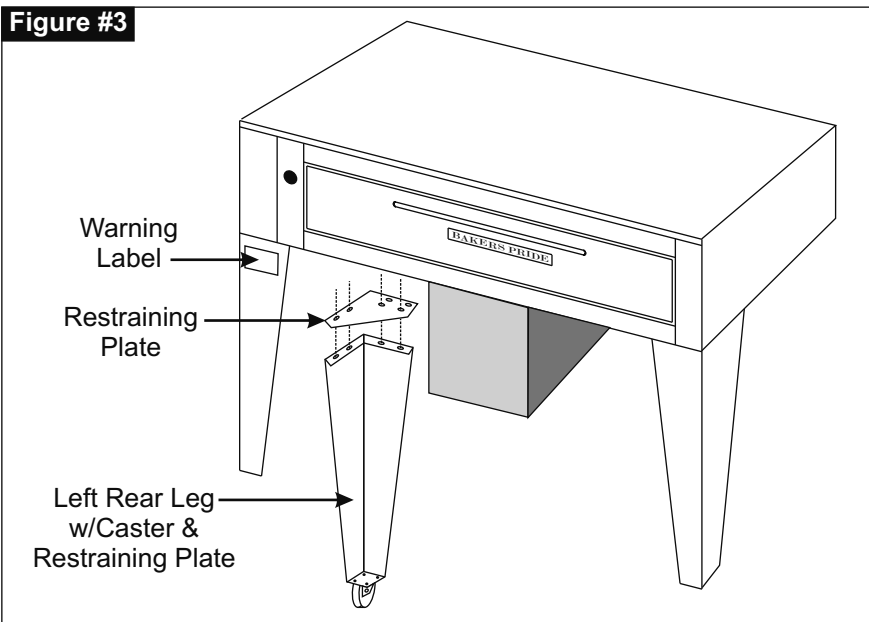
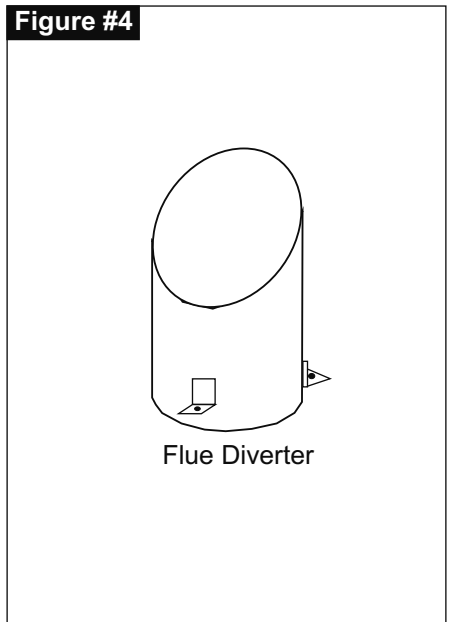


Figure #4



4. STACKING

These ovens can be stacked up to three high. Each unit is built exactly the same, so it does not matter in what order they are stacked. However, in case of a mix of 8" and 12" deck heights, it is advisable to place the higher deck(s) on the top, e.g.: mount the legs to one of the lower decks.

Once the unit with the legs is in place (in case of casters make sure the brakes are on), with the proper lifting equipment gently place the next oven on top of the first one and line up the back and sides with each other. (If the ovens came with Steam Option, read section 5. below before proceeding). Once the two ovens are properly stacked, install the stacking brackets as per instructions supplied with the kit. In case of a third unit, gently place the oven on top of the second one, line up the back and sides, then connect to the stacking brackets.

5. STEAM OPTION

If this option has been ordered and supplied, remove the control panel(s) and left access cover(s) to gain access to the steam plumbing as follows:

- a) Remove all screws and vent knob from the control panel. Loosen the set screw on the thermostat knob and remove it. Pull the control panel out at the bottom, then down and out from the vent rod. Slip the right flange hole of the control panel back onto the vent rod, then replace the vent knob to keep the control panel in an open and secure position. (See fig. 5l)
- b) Remove all screws from the left access panel, then pull it forward and out of the oven.
- c) After the internal pipe connections have been completed as per instructions below, follow the instructions supplied by the manufacturer of the steam generator and the manufacturer of the steam trap for final hook up to the steam supply.

Stacked ovens

- a) In all but the top oven, punch four 1 1/2" diameter holes in each of the top covers, utilizing the 1/8 locating holes. (See fig. 5b)
- b) Loosen the upper pipe union(s) and remove the upper part(s) from all but the top oven. (See fig. 5c).
- c) Raise the left side of the upper unit and place a piece of wood or similar material to keep a 1" to 1 1/2" space between the two ovens.
- d) Insert the connecting pipe, small end up, (see fig. 5d) through the access opening of the lower unit and screw it into the lower pipe union of the upper oven, leaving a space between the lower union sections identical to the space between the two ovens.
- e) Lift the upper unit, remove the spacer and carefully lower it until the two union parts in the lower oven meet. Adjust the height of the connecting pipe, if necessary, to have a perfect match at the lower union, then tighten the lower union.

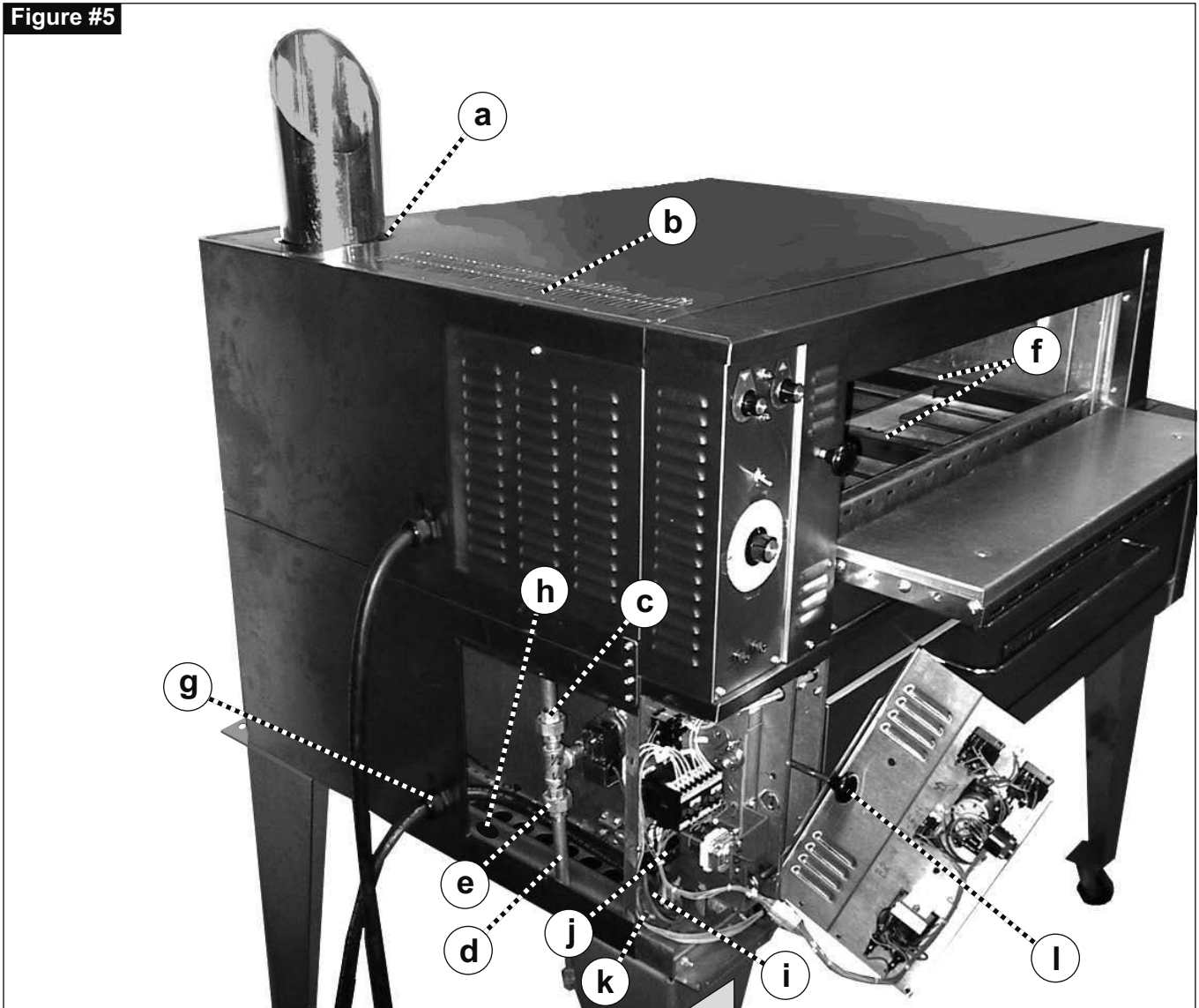
WARNING: It is very important to have a good match at the lower union before tightening it. If the connecting pipe is too long or too short, this will put undue stress on the pipe joints and could cause failure of these components and property damage or injuries as well.

- f) At the end, insert the connecting pipe, small end up, through the appropriate opening at the base of the bottom unit and screw it into the lower pipe union.

Single Oven

Insert the connecting pipe, small end up, through the appropriate opening of the base and screw it into the lower pipe union. (See fig. 5e)

Figure #5



6. INSTALLATION OF DECKS

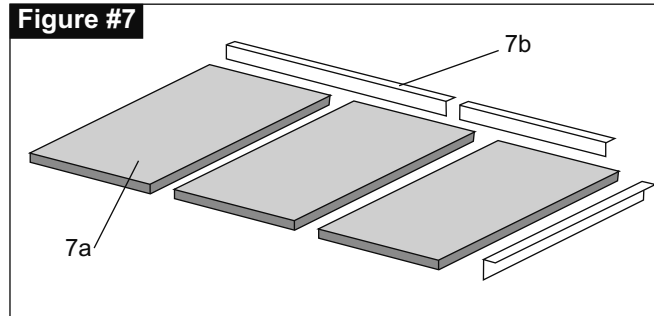
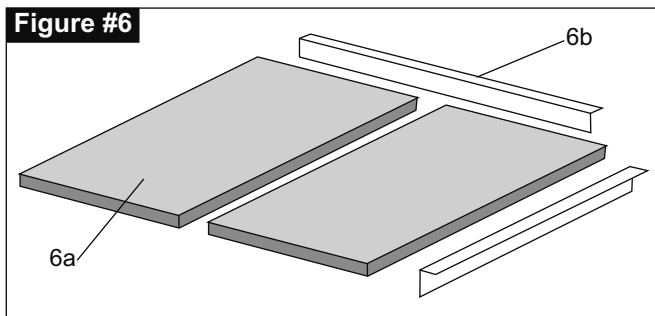
Steel Decks

Steel Decks for Bake and Roast Application are factory installed and no further installation is required.

Ceramic Decks

Ceramic Decks for Pizza Application are shipped in a separate carton. Depending on the model, two (see fig. 6a) or three slabs (see fig 7a) are provided with each oven. This material is heavy and fragile and should be handled carefully.

- a) Depending on the model, three or four deck supports (metal channels) have to be inserted in the oven, front to back, flanges down and flat side up. (See fig. 5f).
- b) Slide one slab into the bake chamber along the deck supports on the left side, lower the front end carefully to avoid chipping of the deck corners, then push tightly against the left oven wall.
- c) Repeat the above for the second (and third) slab, pushing it as tightly as possible against the previous one to prevent any gaps.
- d) With a long hook or similar tool, reach in and pull all of the slabs as far to the front as possible. Insert one (or two) of the wedges in the back and one at the right side of the oven (see figs. 6b & 7b) and tap them down lightly.



7. ELECTRICAL CONNECTION

General Instructions

- Only a licensed electrician should make the electrical connections.
- Make sure electrical supply corresponds with that specified on the rating plate.
- Only use copper conductors rated at 90°C suitably sized for the electric current drawn.
- All pole disconnect(s) must be provided by the installer.
- When installed, unit must be electrically grounded in accordance with the local codes and/or the latest edition of the National Electrical Code ANSI/NFPA No. 70 in USA or Canadian Electrical Code, CSA Standard C22.1, Part 1 in Canada.
- FOR CE UNITS: The appliance must be connected by an earthing cable to all other units in the complete installation and thence to an independent earth connection in compliance with EN 60335-1 and/or local codes. If flexible line cordage is used to connect the equipment, it should be a minimum of H07RN-F type conforming to EN60335-1 and/or local codes.

E(PBR) - 3836 - 8(12) Power and Current per Deck					Power Supply	E(PBR) - 5736 - 8(12) Power and Current per Deck				
KW	L1 (amp)	L3 (amp)	L2 (amp)	N (amp)	Volts (Phase)	KW	L1 (amp)	L3 (amp)	L2 (amp)	N (amp)
8.0	38.6		38.6		208 (1)	12.0	57.8		57.8	
8.0	21.0	25.0	21.0		208 (3)	12.0	33.5	33.3	33.5	
7.3 - 8.7	33.3 - 36.3		33.3 - 36.3		220-240 (1)	11.0 - 13.0	50.0 - 54.6		50.0 - 54.6	
7.3 - 8.7	18.0 - 19.7	21.5 - 23.5	18.0 - 19.7		220-240 (3)	11.0 - 13.0	29.0 - 31.6	28.9 - 31.5	29.0 - 31.6	
7.3 - 8.7	16.7 - 18.2		16.7 - 18.2		440-480 (1)	11.0 - 13.0	25.0 - 27.3		25.0 - 27.3	
7.3 - 8.7	9.0 - 10.0	10.8 - 11.8	9.0 - 10.0		440-480 (3)	11.0 - 13.0	14.5 - 15.8	14.4 - 15.7	14.5 - 15.8	
8.0	35.0			35.0	400-Y (1)	12.0	52.3			52.3
8.0	8.8	13.0	13.0	4.2	400-Y (3)	12.0	17.5	17.4	17.4	0.1

NOTE: EACH OVEN REQUIRES A SEPARATE CONNECTION !

CAUTION

*Overexposure to smoke or fumes may cause nausea and dizziness.
Be sure the oven is placed in a well ventilated area.*

Field Connections

- Remove all screws and vent knob from the control panel(s). Pull control panel out at the bottom, then down and out from the vent rod. Slip the right flange hole of the control panel back onto the vent rod, then replace the vent knob to keep the control panel in an open and secure position.
- Remove all screws from the left access panel(s), then pull forward and out of the oven.

Stacked ovens only!

In all but the top oven, punch four 1 1/2" diameter holes in each of the top covers, utilizing the 1/8 locating holes. (See fig. 5b)

- c) Feed power cable (supplied by the customer) through the access hole at the left side (see fig 5g) or at the bottom (see fig. 5h) of the oven and pull the cable to the front of the oven where it may be attached to the opening in the oven frame. See fig. 5i).
- d) Following the appropriate wiring diagram conforming to the rating plate, connect the power supply leads to the field wiring terminal block (see fig. 5j). The ground wire should be connected to the grounding lug (see fig. 5k) attached to the oven frame.
- e) For single phase 2-wire or three phase 3-wire supplies, the controlling branch circuit is designed to operate at 208-240 volts AC and is pre-wired at the factory between L1 and L2 of the field wiring terminal block.
- f) For three phase 4-wire 230/400 Volts AC 50hz supplies, the controlling branch circuit is designed to operate at 230 volts AC and is pre-wired at the factory between L1 and N of the field wiring terminal block.
- g) Make sure all connections are tight, then replace the access cover(s) and control panel(s).

8. SYSTEM CHECK

- a) Flip up oven light switch. Oven lights will go on, and off as the switch is pushed down again.
- b) Set the Top (right) and Bottom (left) Heat switches to "O" (off).
- c) Turn the Thermostat knob to 300°F (150°C). Nothing should happen.
- d) Turn the Top (right) heat switch counter-clockwise to "5". The top amber indicator lamp will illuminate, the right contactor will be activated and the top heating elements will be energized. After some time these items will start to cycle on and off.
- e) Turn the Top (right) heat switch clock wise to "10" (high). The top amber indicator lamp will illuminate, the right contactor will be activated and the top heating elements will be energized and all should stay that way until the heat switch is turned back to "0" again or the preset temperature has been reached.
- f) Repeat d) and e) above with the Bottom (left) Heat switch. The results should be the same as above, except this time it will be the bottom indicator lamp, the left contactor and the bottom heating elements.

Ovens with Timer Option

Turn the timer knob clockwise past the "0" and set a time of 2 minutes. At the end of 2 minutes, the timer knob will be at "0", you will hear the buzzer and see the green indicator lamp on, and all three will stay that way until you turn the timer knob counter-clockwise to "0" to switch them off, or turn the knob clockwise for more time and repeat the above with the same or a different setting.

Ovens with Steam Option

Never activate the steam timer when the oven is cold, since the steam will immediately condense and turn to water.

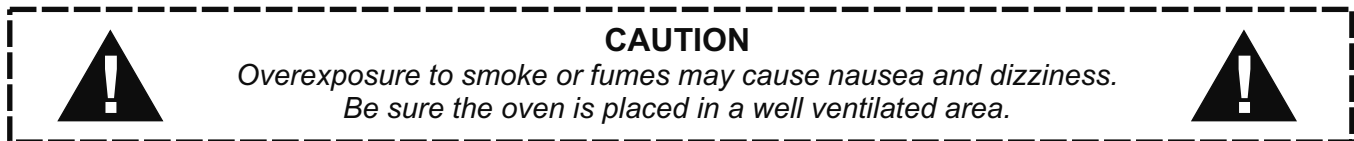
- a) The steam timer can be adjusted from 1 to 60 seconds and has been factory set for 3-5 seconds. To change this time, insert a small screw driver through the 1/4" diameter hole below the steam switches and turn the timer shaft clockwise to increase or counter-clockwise to decrease this time delay setting.
- b) Press both steam switches simultaneously. The red indicator lamp will illuminate, the solenoid coil will be activated and the solenoid valve will open and allow steam to enter the baking chamber for the duration of the selected time. After that period, the power to the red indicator lamp and solenoid coil will be cut off and the solenoid valve will shut down the flow of steam to the oven.

WARNING: Never open the door while the red indicator lamp is on and steam is being injected into the oven, since exposure to live steam can cause serious injuries.

9. INITIAL START-UP

After installation, your oven will need a few hours to evaporate the moisture in the deck and in the insulation and to burn off the thin coat of oil on the sheet metal parts. The following steps must be completed before your new oven is ready for use:

- a) Place the oven in a well ventilated area in order to deal with the ensuing smoke and smell.
- b) Open the oven door and make sure the oven cavity is empty and that the decks are properly installed (see section 6. above).
- c) Close the oven door and set the temperature knob to 300°F (150°C) for about an hour or so.
- d) After that, increase the temperature to 500°F (260°C) for at least another hour or until all the smoke and fumes have disappeared. This procedure will remove most of the moisture and help insure good bake results.



OPERATING INSTRUCTIONS

1. GENERAL BAKING

NOTE: Only Pizza and Bread products can have direct contact with the Ceramic Deck. All other food products must be placed in a metal pan or porcelain dish to avoid direct contact with the ceramic deck.

Pizza can be baked on the deck, on a screen or in a pan. When you determine the combination of method, ingredients and temperature that results in the right bake for your crust, sauce and cheese combination and your customer's taste, mark and keep it.

Deck baking refers to baking Pizza directly on the deck. Generally it is a thin product that requires temperature of at least 550°F (290°C).

Screen baking refers to baking Pizza on a screen. The screen lifts the Pizza off the deck. The screen may be removed near the end of the bake time to give the bottom of the Pizza a crispier crust and a darker color. Bake temperatures range from 500°F (260°C) to 550°F (290°C).

Pan baking refers to baking Pizza in pans. Crusts can be thick or thin and toppings range from light to heavy. Bake temperatures for pan baking range from 450°F (235°C) to 500°F (260°C).

2. GENERAL BAKING TIPS

- a) At day's end, turn the thermostat to the "O" (off) position to conserve energy, leaving the Top and Bottom Heat controls set for next day's operation.
- b) In the morning, preheat for one hour at 50°F (30°C) lower than your baking temperature with the vent closed (pushed all the way in) for a faster recovery.
- c) 15 to 20 minutes before loading the oven, raise the thermostat setting to your baking temperature and make sure the Top and Bottom Heat switches are set correctly for the product you intend to bake.
- d) Check the bottom color of the Pie and reduce the Top Heat once you notice the bottoms to get very light. This will make the bottom elements come on more often, helping to maintain the desired color.
- e) When the oven has not been used for a while, there is a tendency for the bake deck to get very hot. Consequently, when it is slow and the oven idling, set the thermostat at least 50°F (30°C) lower than your normal baking temperature. Then, when you put in a pizza, increase the thermostat to the normal setting, providing the quick extra top heat required to balance the bottom heat. At the end of the bake, the thermostat should then be turned down to the lower setting before the deck gets too hot again.

- f) Frequently scrape and brush off decks to remove burnt residue which can cause an 'off' flavor and an increase in the bake time.
- g) Heavily topped Pizza or Pan Pizza require lower bake temperatures and longer bake times as compared to a regular thin Pizza with light toppings.
- h) Bubbles in fresh dough indicate an under-proofed or cold product. Allow the dough balls to proof in a warm area and to double in size before baking.
- i) Any type of Pan or Screen may be used in this oven. When choosing pans, be sure to pick a pan which is closest in height of your product.

NOTE: Dark colored pans and screens transfer heat better than light colored aluminum pans or screens. The latter ones must be seasoned before use. To do this, apply a heavy coating of cooking oil inside and out and bake in oven at 500°F (260°C) for about an hour or until all smoke has gone.

3. SPECIAL FEATURES

Heating Elements:

For a more even heat distribution, these ovens have evenly spaced u-shaped heating elements throughout that are either "ALL ON" or "ALL OFF", depending on the temperature setting and the Top and Bottom Heat selections made.

Infinite Switches:

To better control the ratio of Top and Bottom Heat, these ovens have two heat selector switches, one controlling the Top Heat, the other controlling the Bottom Heat. Each allows a setting from #1 (low = 20% on/80% off) through #9 (80% on/20% off) to #10 (high = 100% on).

In order to maximize the potential of the oven and to get maximum power, both heat selector switches should be set to #10 (high). This will be the best setting most of the time for most of the products. However, if, after some experimenting, one of the two proves to be too hot, only that one should be reduced while the other one stays on high. There is no need to reduce both at the same time. If less heat is required, lower the thermostat setting.

Optional Timer:

Upon request, an electric timer is provided to give an audible, continuous signal at the end of a preset time up to 60 minutes (72 minutes with 50Hz supply) on Bake Ovens and up to 5 hours (6 hours with 50Hz supply) on Roast Ovens,

NOTE: The Timer does not control the heating elements.

4. CLEANING

Oven Exterior: CLEAN ONLY WHEN THE OVEN IS COLD.

- a) Deposits of baked-on splatter and grease, or discoloration may be removed with the stainless steel cleaner sample supplied or by using any commercial cleaner recommended for stainless steel. Bakers Pride offers a stainless steel cleaner made expressly for this purpose. Always rub with the grains and apply very light pressure. Rinse well
- b) A thin coat of light oil will add to the appearance of the oven.

Oven Interior: (including Steel Deck) CLEAN ONLY WHEN THE OVEN IS COLD.

Use only the detergent solutions and cleaners that meet the national and / or local codes. Clean the steel deck, the ceiling and the walls of the baking chamber with a mild soap and water solution. **Do not use oven cleaners, caustic solutions or mechanical means as they will damage the interior aluminized surfaces.**

Ceramic Bake Decks: HEAVY AND FRAGILE! HANDLE CAREFULLY!

- a) The bake decks should be cleaned by using a long-handled scraper and stiff wire brush. At the end of each day, turn the thermostat up to its maximum setting and let the oven sit at that temperature for at least ½ hour. This will burn off the food spilled onto the baking decks during the day's production and turn it into ash. This ash can be brushed off the next day before turning the oven on.
- b) The ceramic bake decks should be scraped and brushed during the day also to help keep them clean. To remove excessive crumbs or carbon, the baking decks and the oven cavity may be vacuumed when the oven is cold.

DO NOT USE WATER OR OTHER LIQUIDS ON THE BAKING DECKS AS THAT MAY CAUSE THEM TO CRACK.

After long use, heavily soiled bake decks may be cleaned by turning over after scraping down and brushing off. This will burn off the heavily soiled underside of the bake decks over time. This procedure may be repeated as needed.

5. SERVICE AND TROUBLE SHOOTING

The ovens are designed to be as trouble free as possible. Keeping the oven clean is about all that is normally required. However, if your oven stops operating, check the following:

- a) the thermostat, to see if the set temperature has been reached and the thermostat has turned off the power to the heat control switches, indicator lamps, contactors and heating elements.
- b) the infinite top and bottom heat control switches, to see if they are “on”. They must be in a set position (other than off) for indicator lamps, contactors and heating elements to operate.
- c) the power supply fuses / breakers, to see if they are blown / or have tripped.
- d) the two branch protection fuses in the control panel of the oven, to see if one or both of them are blown.

If the oven still does not operate, disconnect the power supply to the unit by turning off the main switch, then contact the factory, factory representative or an authorized service agency.

All servicing should be performed by a factory authorized technician only.

Every six months (more frequently if the oven is used heavily) the door spring mechanism and all moving parts must be inspected for wear. If necessary, apply some lubricants to the door pins and bearing blocks at each side of the oven door. Use only lubricants that meet the national and/or local codes.

DO NOT APPLY GREASE OR OIL TO SPRING LEVER SHOULDER BOLT AND SPRING ROLLER, THEY HAVE SELF-LUBRICATING INSERTS THAT WILL BE DAMAGED IF LUBRICATED.

6. RATING PLATE

A copy of the rating plate is enclosed. Please keep for future reference.

Attachment Parts List for EP, EB and ER series floor model Electric Deck Ovens

For further information and to purchase the deck scraper/brush, or stainless steel cleaner, call BAKERS PRIDE toll-free at: (800) 431-2745.

BAKERS PRIDE OVEN CO., INC.
 NEW ROCHELLE, NEW YORK, U.S.A.
 COMMERCIAL ELECTRIC COOKING APPLIANCE
 EQUIPEMENT DE TRAITEUR OPERANT AU ELECTRICITE

MODEL / MODELE: _____ WATTS: _____
 SERIAL NO. / NO. DE SERIE: _____ VOLTAGE: _____
 DATE CODE / CODE DE DATE: _____ PHASE: _____
 COUNTRY OF DESTINATION / PAYS DE DESTINATION: _____ HERTZ: _____

CAUTION: USE COPPER SUPPLY WIRES SUITABLE FOR 75° C / ATTENTION: EMPLOYER DES FILS D'ALIMENTATION EN CUIVRE ADEQUATS POUR 75° C

	* PH	L1	L2	L3	N
AMPERES	3 PH				
	1 PH				

* SEE CONNECTION DIAGRAM MINIMUM ACCEPTABLE CLEARANCE FROM COMBUSTIBLE OR NON-COMBUSTIBLE MATERIAL: 0" (0 MM)
 * VOR SCHEMA DE BRANCHEMENT ESPACE LIBRE MINIMUM ACCEPTABLE POUR MATERIAUX COMBUSTIBLES OU NON-COMBUSTIBLES: 0" (0 MM)

SUITABLE FOR INSTALLATION ON COMBUSTIBLE FLOOR WHEN INSTALLED WITH LEGS OR CASTERS PROVIDED
 COMMENT POUR INSTALLATION SUR DES PLANCHES COMBUSTIBLES LORSQUE LE FOUR EST EQUIPE AVEC LES PATTES OU ROULETTES FOURNIES PAR LE MANUFACTURIER

THIS EQUIPMENT IS TO BE INSTALLED TO COMPLY WITH THE APPLICABLE FEDERAL, STATE, OR LOCAL PLUMBING CODES.
 CET EQUIPEMENT DOIT ETRE INSTALLE CONFORMEMENT AU CODE DE PLOMBERIE LOCAL, FEDERAL OU DE L'ETAT, EN VIGUEUR.

ONLY PIZZA AND BREAD PRODUCTS CAN HAVE DIRECT CONTACT WITH THE CERAMIC DECK.
 SEULEMENT LA PIZZA ET LES PRODUITS PAINIERS PEUVENT AVOIR UN CONTACT DIRECT AVEC LA PLAQUE DE CERAMIQUE.

CAUTION: DISCONNECT POWER BEFORE CHANGING 240 V BILBLS. 15W MAX.
 ATTENTION: DEBRANCHER AVANT DE CHANGER L'AMPOLLE 240 V. 15 W MAX.

INTENDED FOR OTHER THAN HOUSEHOLD USE
 POUR LES UTILISATIONS NON DOMESTIQUES

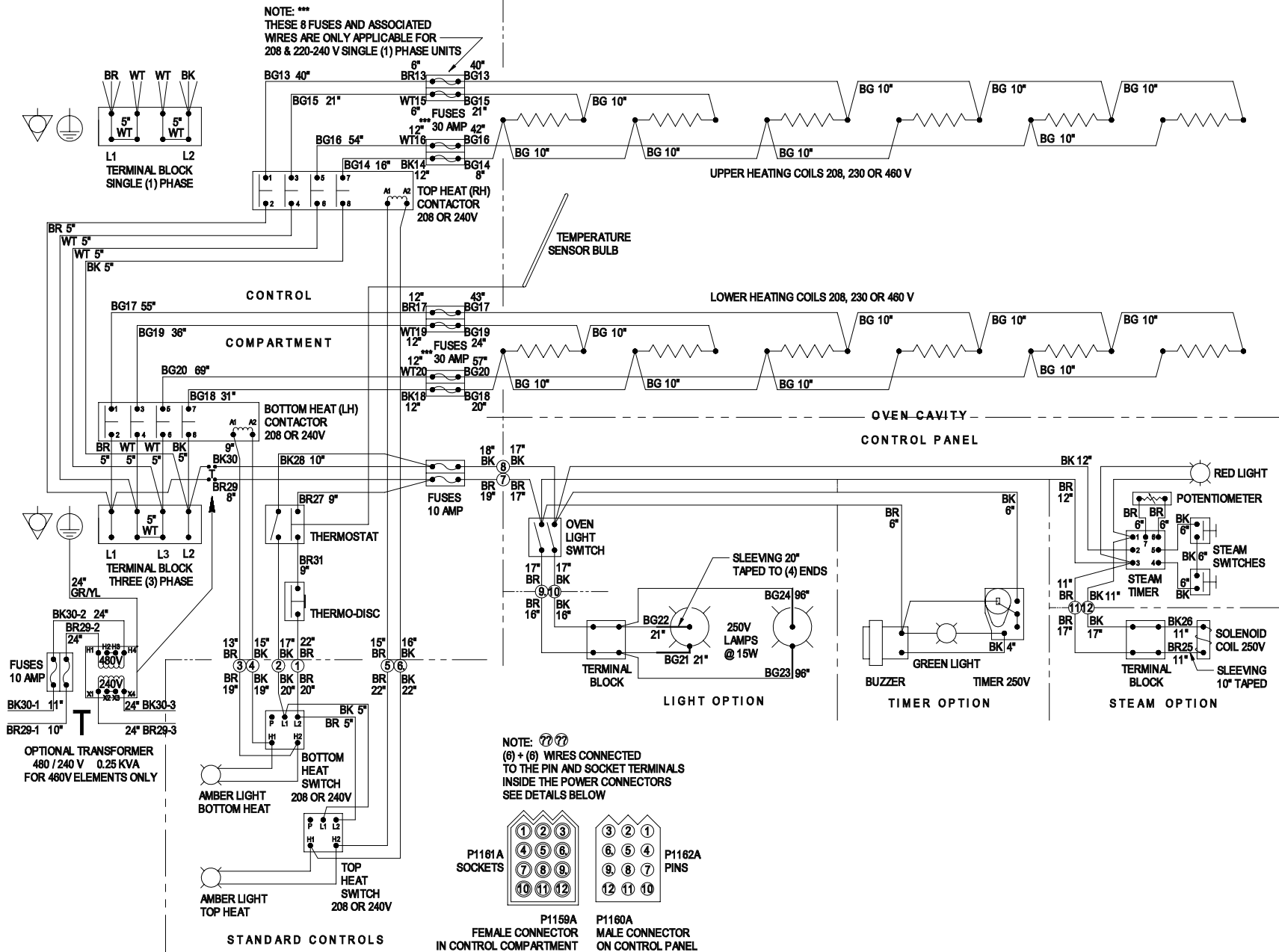
UL LISTED
CLASSIFIED
CE

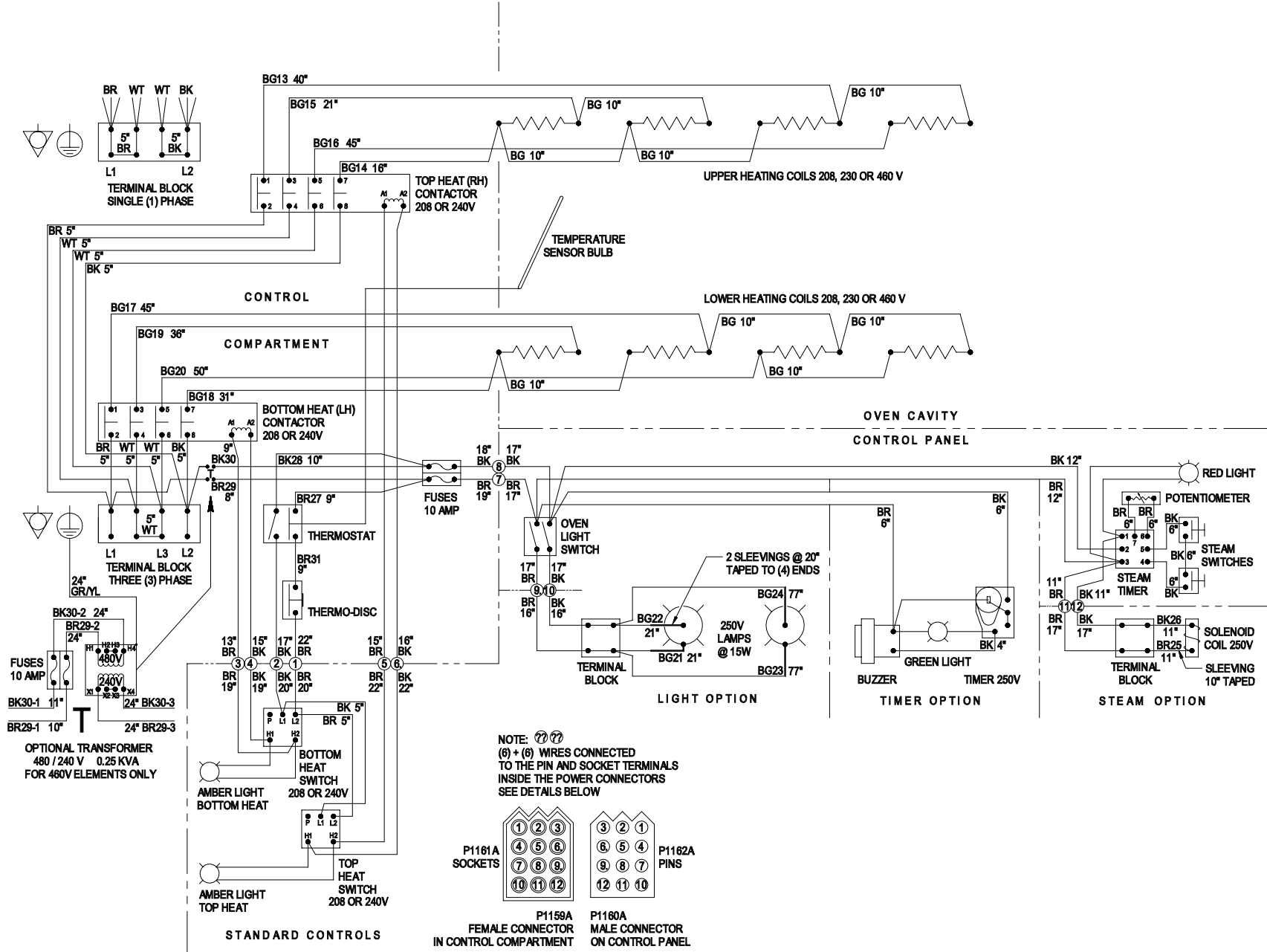
COMMERCIAL ELECTRIC COOKING APPLIANCE 602C
 ANSI/NSF 4
 U951A

Model Number: _____
 Serial Number: _____
 Voltage: _____
 Phase: _____
 Date Purchased: _____
 Purchased From: _____

Date Code: _____

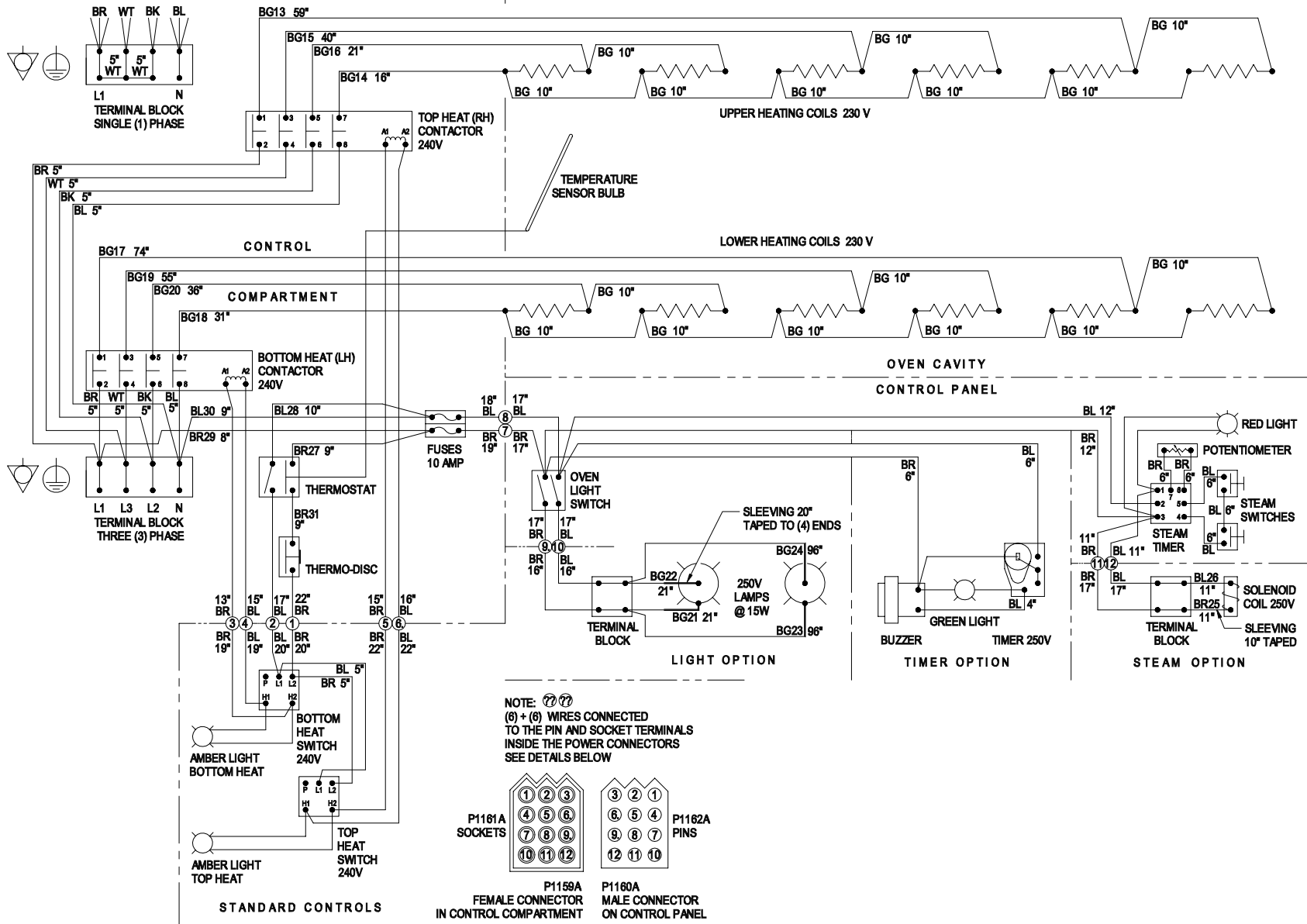
Please fill in the above rating plate information and keep for future reference. This information will be necessary in the future when ordering parts or requesting warranty service.

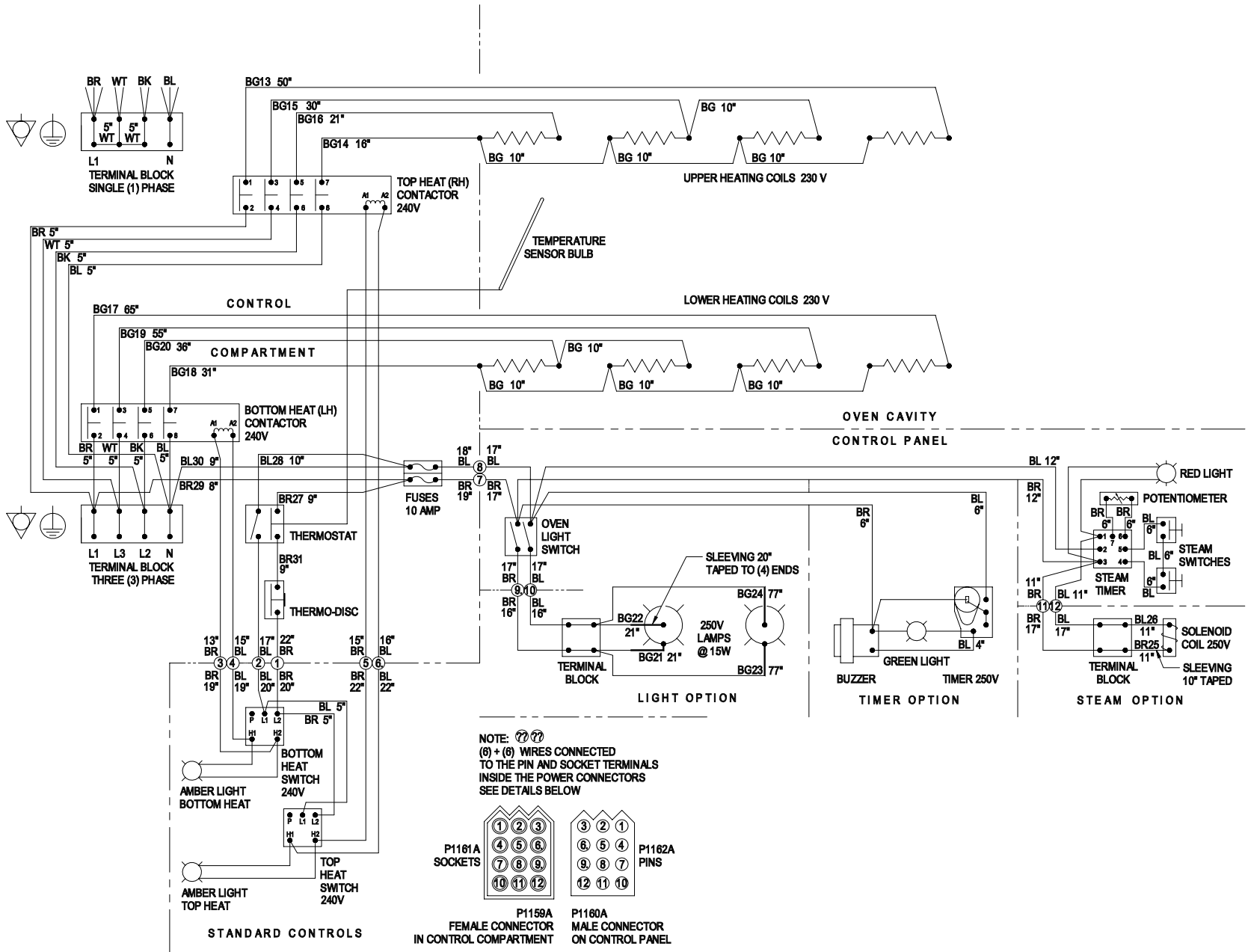




ELECTRIC WIRING DIAGRAM EP(B,R) -8(12) -5736 230/400V - STAR

Dwg. 1048-123 7/02







BAKERS PRIDE LIMITED WARRANTY

30 Pine Street New Rochelle, New York 10801
914 / 576 - 0200 ♦ US & Canada: 1 - 800 - 431 - 2745 ♦ fax 914 / 576 - 0605

- WHAT IS COVERED** This warranty covers defects in material and workmanship under normal use, and applies only to the original purchaser providing that:
- ♦ The equipment has not been accidentally or intentionally damaged, altered or misused;
 - ♦ The equipment is properly installed, adjusted, operated and maintained in accordance with National and local codes, and in accordance with the installation instruction provided with the product;
 - ♦ The serial number rating plate affixed to the equipment has not been defaced or removed.
- WHO IS COVERED** This warranty is extended to the original purchaser and applies only to equipment purchased for use in the U.S.A.
- COVERAGE PERIOD** Full size gas and electric deck ovens: Two (2) year limited parts and labor; Cyclone Convection Ovens: BCO Models: One (1) Year limited parts and labor; GDCO Models: Two (2) Year limited parts and labor; CO II Models: Two (2) Year limited parts and labor; (5) Year limited door warranty.
All Other Products: One (1) Year limited parts and labor.
Warranty period begins the date of dealer invoice to customer or ninety (90) days after shipment date from BAKERS PRIDE - whichever comes first.
- WARRANTY COVERAGE** This warranty covers on-site labor, parts and reasonable travel time and travel expenses of the authorized service representative up to (100) miles, round trip, and (2) hours travel time. The purchaser, however, shall be responsible for all expenses related to travel, including time, mileage and shipping expenses on smaller counter models that may be carried into a Factory Authorized Service Center, including the following models: PX-14, PX-16, PI8, and BK-18.
- EXCEPTIONS** All removable parts in BAKERS PRIDE Char-broilers, including but not limited to: Burners, Grates, Radiants, Stones and Valves, are covered for a period of SIX MONTHS.
All Ceramic Baking Decks are covered for a period of THREE MONTHS. The installation of these replacement decks is the responsibility of the purchaser.
The extended Cyclone door warranty years 3 through 5 is a parts only warranty and does not include labor, travel, mileage or any other charges.
- EXCLUSIONS**
- ♦ Negligence or acts of God,
 - ♦ Thermostat calibrations after (30) days from equipment installation date,
 - ♦ Air and Gas adjustments,
 - ♦ Light bulbs,
 - ♦ Glass doors and door adjustments,
 - ♦ Fuses,
 - ♦ Char-broiler work decks and cutting boards,
 - ♦ Tightening of conveyor chains,
 - ♦ Adjustments to burner flames and cleaning of pilot burners,
 - ♦ Tightening of screws or fasteners,
 - ♦ Failures caused by erratic voltages or gas supplies,
 - ♦ Unauthorized repair by anyone other than a BAKERS PRIDE Factory Authorized Service Center,
 - ♦ Damage in shipment,
 - ♦ Alteration, misuse or improper installation,
 - ♦ Thermostats and safety valves with broken capillary tubes,
 - ♦ Accessories - spatulas, forks, steak turners, grate lifters, oven brushes, scrapers, peels, etc.,
 - ♦ Freight - other than normal UPS charges,
 - ♦ Ordinary wear and tear.
- INSTALLATION** Leveling and installation of decks, as well as proper installation and check out of all new equipment - per appropriate installation and use materials - is the responsibility of the dealer or installer, not the manufacturer.
- REPLACEMENT PARTS** BAKERS PRIDE genuine Factory OEM parts receive a (90) day materials warranty effective from the date of installation by a BAKERS PRIDE Factory Authorized Service Center.

This Warranty is in lieu of all other warranties, expressed or implied, and all other obligations or liabilities on the manufacturers part. BAKERS PRIDE shall in no event be liable for any special, indirect or consequential damages, or in any event for damages in excess of the purchase price of the unit. The repair or replacement of proven defective parts shall constitute a fulfillment of all obligations under the terms of this warranty.

Form #U4177A 1/07