



30 Pine Street • New Rochelle • New York • 10801  
 914 / 576 - 0200  
 914 / 576 - 0605 fax  
 1 - 800 - 431 - 2745 US & Canada  
 www.bakerspride.com web address

# FLB-36R/GS

Gas Char Broiler

## PARTS LIST

*Dante*  
SERIES



Model Number: **FLB-36R/GS**

Serial Number \_\_\_\_\_

**Type of Gas**

Natural

L.P.

Other

# FLB-36R/GS

Gas Char Broiler

30 Pine Street • New Rochelle • New York • 10801

914 / 576 - 0200

914 / 576 - 0605 fax

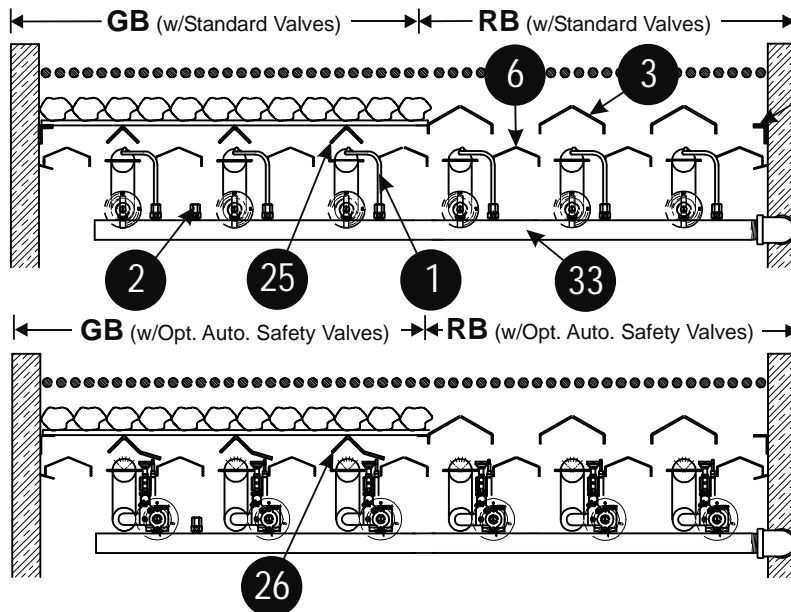
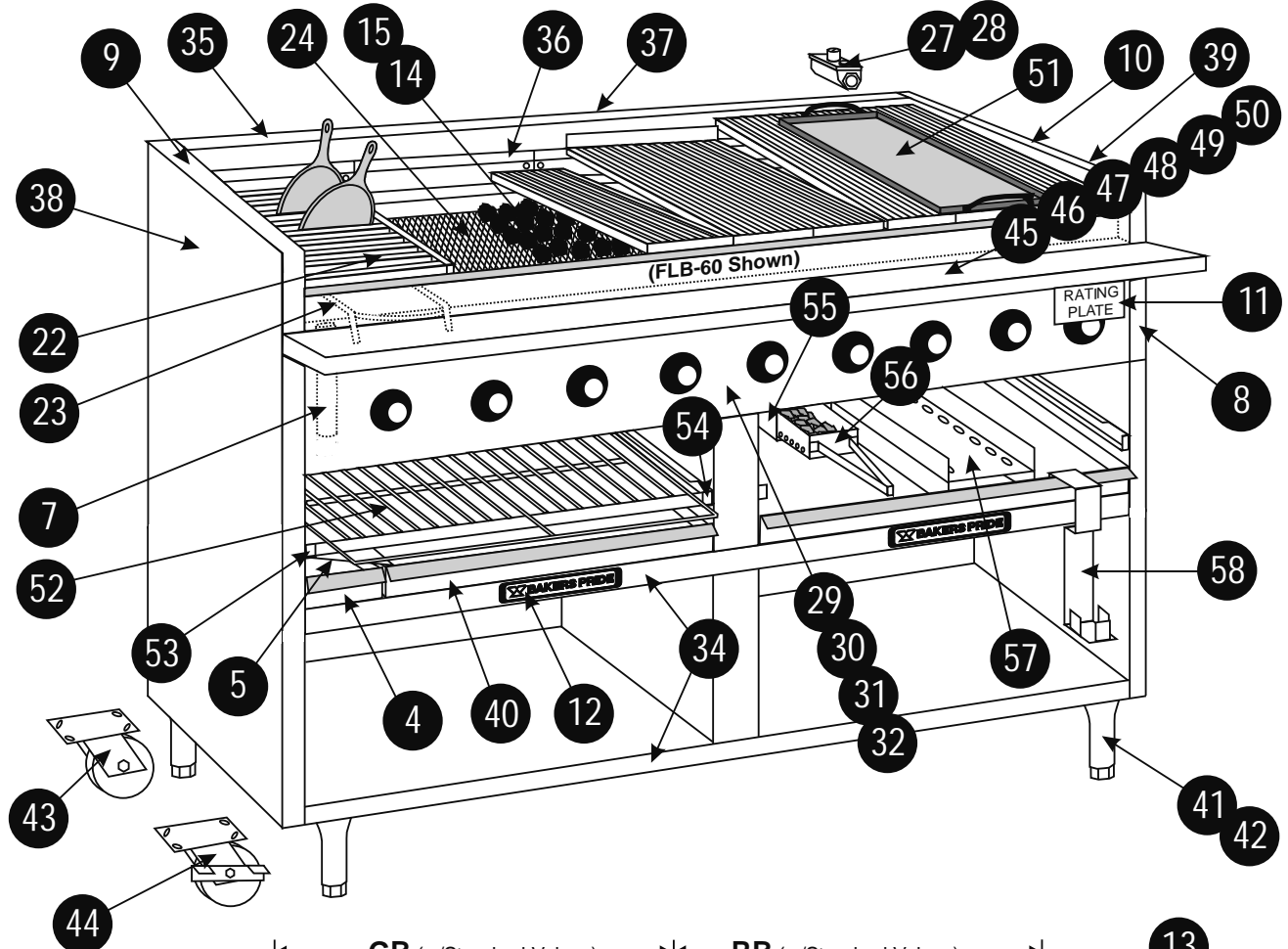
1 - 800 - 431 - 2745 US & Canada

www.bakerspride.com web address



Figure A

## Exterior / Interior





30 Pine Street • New Rochelle • New York • 10801  
 914 / 576 - 0200  
 914 / 576 - 0605 fax  
 1 - 800 - 431 - 2745 US & Canada  
 www.bakerspride.com web address

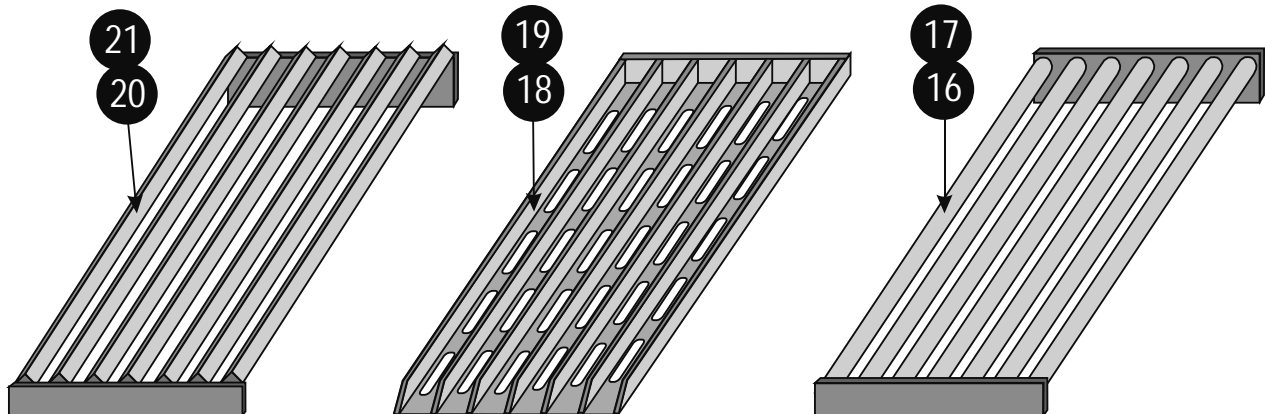
# FLB-36R/GS

Gas Char Broiler

Item	Part #	Description	Item	Part #	Description
<b>Exterior / Interior</b>					
1	R3042X	Pilot Tube, 7 3/8" w/Nut & Ferrule	30	G5172K	Control Panel, CE-36
2	N3068P	Pressure Tap Nozzle	31	U1321A	Control Panel Overlay-36
3	G5073X	Radiant S/S (Standard)	32	U1326A	Control Panel Overlay, CE-36
4	G5069K	Grease Drawer	33	R1120A	Manifold-36
5	G5070U	Grease Shield Assy	34	G5160K	Front Trim-36
6	G5072K	Heat Shield	35	G5164K	Back Trim-36
7	G5126U	Grease Drain Assy-36	36	G5142K	Top Grate Support, 16" /2
8	G5212K	Manifold Cover	37	G5148K	Outer Back-FLB36
9	G5060K	Side Trim, Left	38	G5052K	Outer Side, Left-FLB
10	G5061K	Side Trim, Right	39	G5053K	Outer Side, Right-FLB
11	G5205K	Rating/Instruction Plate Mount	40	G5179K	Drip Pan, 28 1/2" /1
12	U1044X	Bakers Pride Name Plate, 8"	41	S1049A	Legs, 6" (Standard) each
13	G5039K	Bottom Grate Support, L or R Side	42	S1049Y	Legs, 6" (Standard) Set/4
14	T1047X	Glo-Stones, 1/2 Lot (20#)	43	S1022X	Casters, 4" No/Lock (Optional) each
15	T1048X	Glo-Stones, Full Lot (40#)	44	S1023X	Casters, 4" W/Lock (Optional) each
16	T1197X	Top Roll-A-Grate, 9" (Standard) /1	45	G5130K	Work Deck-36
17	T1198X	Top Roll-A-Grate, 6" (Standard) /4	46	G5122U	Front Brace Assy-36
18	T1212A	Top Grate, 6", Cast Iron (Optional)	47	G5235K	Work Deck-36, 10"
19	T1216A	Top Grate, 4 1/2", Cast Iron (Optional)	48	G5236U	Front Brace Assy-36, 10"
20	T1210X	Meat Grate, 6" (Optional)	49	G5304K	Work Deck-36, 12"
21	T1211X	Meat Grate, 9" (Optional)	50	G5305U	Front Brace Assy-36, 12"
22	T1213T	Fajita Top Grate (Optional)	51	T1209U	Breakfast Griddle, 11"W (Optional)
23	T1214T	Fajita Bottom Grate (Optional)	52	T1208U	Wire Rack, 33" /1
24	T1202A	Bottom Grate, S/S, 32" /1	53	G5131U	Left Wire Rack Guide Assy
25	G5040U	Bottom Grate Support /5	54	G5132U	Right Wire Rack Guide Assy
26	G5041U	Bottom Grate Support (CE) /5	55	G5180U	Smoker Box Assy (No Drawer)
27	M1009X	Pressure Regulator 3/4", 10"WC (LP)	56	G5187U	Drawer, Smoker Box
28	M1184X	Pressure Regulator 3/4", 3.5"WC(Nat)	57	G5182U	Log Support (Optional)
29	G5168K	Control Panel-36	58	G5186K	Bottle Holder, RH (Optional)

**Figure B**

**Grates**



# FLB-36R/GS

Gas Char Broiler

30 Pine Street • New Rochelle • New York • 10801

914 / 576 - 0200

914 / 576 - 0605 fax

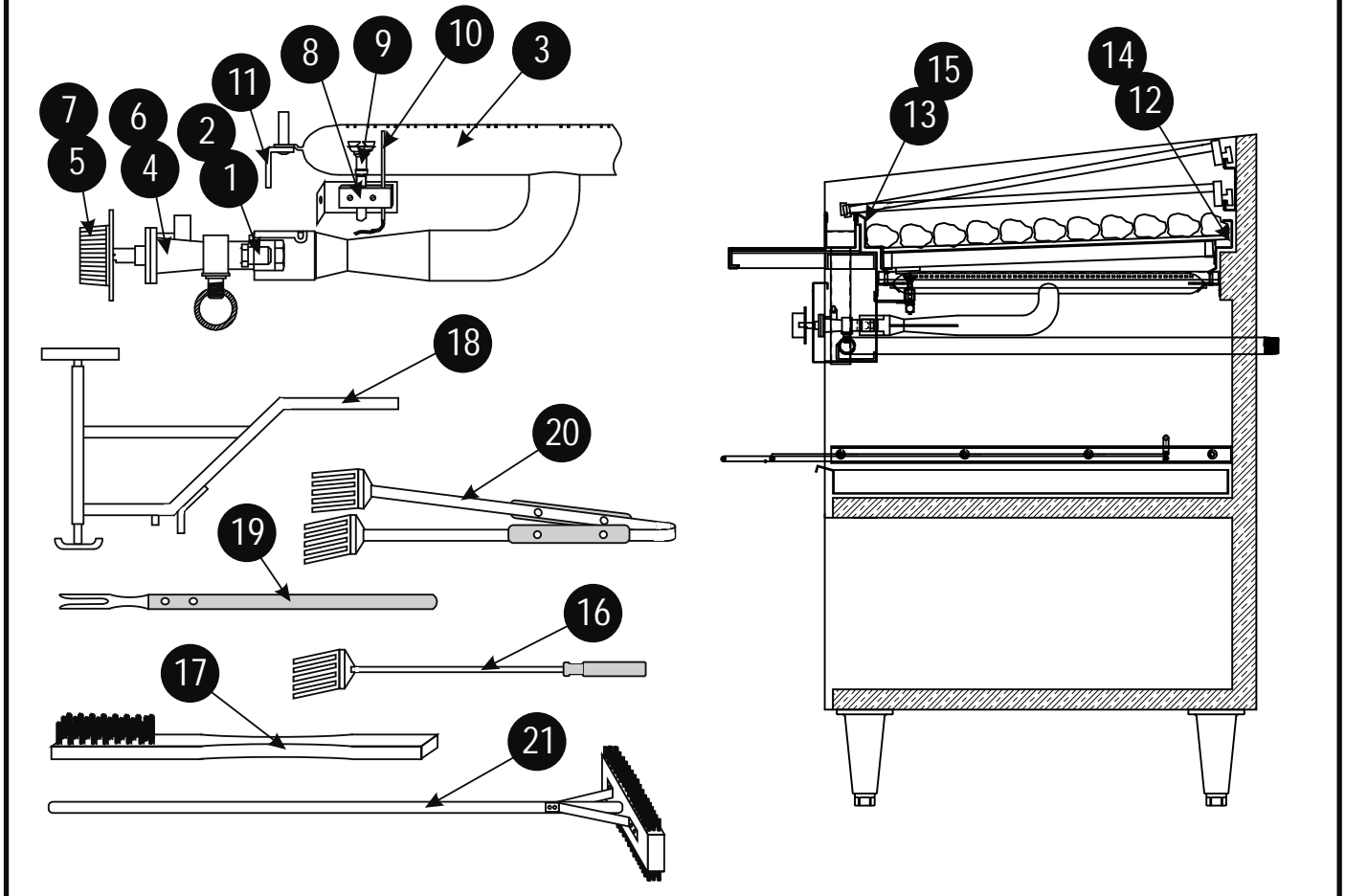
1 - 800 - 431 - 2745 US & Canada

www.bakerspride.com web address



**Figure C**

## Burner / Accessories / Supports



Item	Part #	Description	Item	Part #	Description
1	R3136X	Hood Orifice #54 (LP)	12	G5044U	Radiant Support Assy, Rear 18" /1
2	R3130X	Hood Orifice #44 (Nat)	13	G5046U	Radiant Support Assy, Front 18" /1
3	L5077X	Burner, Center Feed	14	G5045U	Radiant Support Assy, Rear 12" /1
4	R3032X	Gas Valve	15	G5047U	Radiant Support Assy, Front 12" /1
5	S1094X	Knob, Gas Valve	16	T5018V	Spatula, Chef-Aide, 20" Single
6	R3128X	Gas Valve (used w/Pilot Safety)	17	T5017X	Wire Brush, Chef-Aide, 18"
7	S1301X	Knob, Gas Valve, CE (used w/Pilot Safety)	18	G5221U	Grate Lifter
8	G5064K	Pilot Bracket (used w/Pilot Safety)	19	T5016A	Meat Fork
9	M1359X	Pilot Burner (used w/Pilot Safety)	20	T5019V	Steak Turner
10	M1358X	Thermocouple, 10" (used w/Pilot Safety)	21	T5104V	Twin Head Grate Brush
11	G5030U	Burner Support Assy, 29" /2			
<b>Conversion Kit (LP to Nat)</b>			<b>Conversion Kit (Nat to LP)</b>		
5	R3130X	Hood Orifice #44 (Nat)	5	R3136X	Hood Orifice #54 (LP)
1	M1184X	Pressure Regulator 3/4", 3.5"WC (Nat)	1	M1009X	Pressure Regulator 3/4", 10"WC (LP)