



30 Pine Street • New Rochelle • New York • 10801

914 / 576 - 0200

914 / 576 - 0605 fax

1 - 800 - 431 - 2745 US & Canada

www.bakerspride.com web address

GP-61

Counter Top Gas Oven

PARTS LIST



Model Number: **GP-61**

Serial Number: _____

Type of Gas

Natural

L.P.

Other

GP-61

Counter Top Gas Oven

30 Pine Street • New Rochelle • New York • 10801

914 / 576 - 0200

914 / 576 - 0605 fax

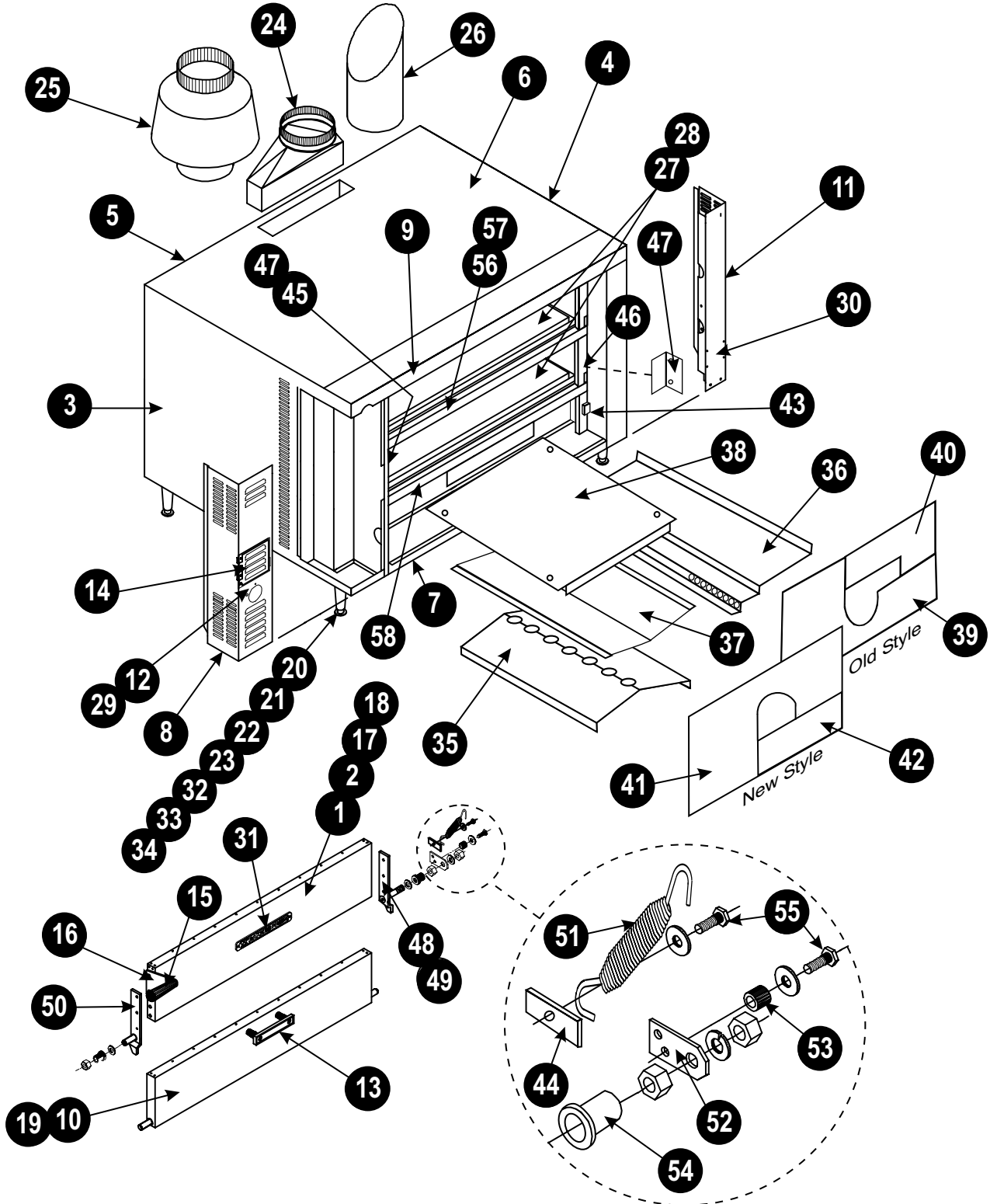
1 - 800 - 431 - 2745 US & Canada

www.bakerspride.com web address



Figure A

Exterior / Decks / Burner Compartment / Door Rod / Interior Trim





30 Pine Street • New Rochelle • New York • 10801

914 / 576 - 0200
 914 / 576 - 0605 fax
 1 - 800 - 431 - 2745 US & Canada
 www.bakerspride.com web address

GP-61

Counter Top Gas Oven

Item	Part #	Description	Item	Part #	Description
Exterior / Decks					
1	A5228X	S/S Top Door Cover 14"	19	A5276X	Burner Door
2	A5229X	S/S Top Door Cover 7"	20	S1014A	4" Leg Adjustable
3	A5231X	Left Outer S/S Side	21	S1050Y	30" Leg Painted Gray
4	A5232X	Right Outer S/S Side	22	S1212Y	30" Leg S/S
5	A5233X	Back Outer S/S	23	S1241X	16" Leg S/S
6	A5234X	Top Outer S/S	24	R3087X	Flue Adapter 6"
7	A5225X	Bottom Trim	25	R3002X	Direct Vent Draft Flue 6"
8	A5226X	Control Panel	26	R3103X	Collection Hood Draft Flue w/o Tabs
9	A5235X	Top Trim	27	T1116Y	Ceramic Deck (each)
10	A5230X	Burner Door Cover S/S		T1080K	Steel Deck (each)
11	A5227X	Right Front Panel S/S	28	T1116X	Ceramic Deck (set of 2)
12	A4129X	Control Panel w/Lighting Instr. Plate	29	U1172X	Lighting Instruction Plate
13	S1149X	Burner Door Handle w/Screw	30	U1140X	Minimum Clearance Plate
14	A4129X	Control Door	31	U1044A	Bakers Pride Name Plate 8"
15	S1300X	Top Door Handle w/Screw	32	T8088X	Leg Shelf
16	A5253X	Door Handle Mount	33	S1022X	4" Casters w/No Locks
17	A5287X	Top Door 7"	34	S1023X	4" Casters w/Locks
18	A5286X	Top Door 14"			
Burner Compartment					
35	A5258X	Upper Breather Pan	40	A5252X	Burner Access Cover O/S
36	A5244X	Flue Deflector (Set: Left & Right)	41	A5301K	Combustion Chamber Front Center
37	A5237X	Slide Out Flame Diverter	42	A5302K	Burner Access Cover
38	A5259X	Insulation Pan (Set: Top & Bottom)	43	S3203X	Magnetic Latch Assembly
39	A5251X	Combustion Chamber Front Center O/S			
Door Rod & Accessories / Interior Trim					
44	A5288X	Spring Bracket	51	S3105X	Door Spring (used with 14" door)
45	A5291X	Left Door Stop	52	A5295X	Lever Arm
46	A5292X	Right Door Stop	53	S3007X	Roller
47	A5293X	Door Stop Shield (Fits on Left or Right)	54	S3008X	Bushing
48	A5297X	Right Door Arm Assembly	55	Q2301X	Shoulder Bolt
49	A5308X	Right Door Arm Assembly (Complete)	56	A5267X	Upper Deck Trim Assembly 7" Door
50	A5296X	Left Door Arm Assembly	57	A5305X	Upper Deck Trim Assembly 14" Door
51	S3004X	Door Spring (used with 7" door)	58	A5265X	Lower Deck Trim Assembly (All)
Quan	Part #	Description	Quan	Part #	Description
BGOR Conversion Kit (From Nat. to L.P.)			BGOR Conversion Kit (From L.P. to Nat.)		
1	R3091X	Burner Orifice L/P (Drill #48)	1	R3146X	Burner Orifice N/G (Drill #30)
1	M1245X	Pilot Orifice L.P.	1	M1244X	Pilot Orifice N/G
1	M1221X	L/P BGOR or BMVR Valve Conversion Kit	1	M1297X	N/G BGOR Valve Conversion Kit
BMVR Conversion Kit (From Nat. to L.P.)			BMVR Conversion Kit (From L.P. to Nat.)		
1	R3091X	Burner Orifice L/P (Drill #48)	1	R3146X	Burner Orifice N/G (Drill #30)
1	M1245X	Pilot Orifice L.P.	1	M1244X	Pilot Orifice N/G
1	M1221X	L/P BGOR or BMVR Valve Conversion Kit	1	M1260X	N/G BMVR Valve Conversion Kit

GP-61

Counter Top Gas Oven

30 Pine Street • New Rochelle • New York • 10801

914 / 576 - 0200

914 / 576 - 0605 fax

1 - 800 - 431 - 2745 US & Canada

www.bakerspride.com web address



Figure B	Burner	Item	Part #	Description
		59	L5036X	Burner w/Inspirator to Union w/o Orifice O/S
		60	L5095X	Burner w/Cap & Elbow O/S
		61	L5108X	Burner w/Inspirator to Union w/o Orifice
		62	L5096X	Burner w/Cap & Elbow
		63	K1237X	Pilot Bracket Adapter (Used on O/S Burner)
		64	M1220X	Pilot Burner N/G
		65	M1222X	Pilot Burner L/P
		66	M1244X	Pilot Orifice N/G
		67	M1245X	Pilot Orifice L.P.
		68	R3036X	S/S Pilot Tubing 45"
		69	L5032X	Inspirator #2
		70	R3075X	Spud Assembly #2 w/o Orifice
		71	R3146X	Burner Orifice N/G (Drill #30)
		72	R3091X	Burner Orifice L/P (Drill #48)
		73	R3080X	Blank Spud #2 (For #2 Inspirator)
	74	M1296X	Thermocouple T-46 (Used w/BGOR)	
	75	M1265X	Thermopile (Used w/BMVR)	

Figure C	Plumbing Control	Item	Part #	Description
		76 *	M1392X	Control Assy To Union N/G (BGOR)
		77 *	M1393X	Control Assy To Union L/P (BGOR)
		78	M1290X	Control Assy To Union N/G (BMVR) O/S
		79	M1291X	Control Assy To Union L/P (BMVR) O/S
		80	M1005X	Thermostat
		81	S1056X	Thermostat Knob "F"
		82	S1163X	Thermostat Knob "C"
		83	R3152X	7000 Valve, BGOR, N/G (After SN339, 8/98)
		84 *	R3154X	7000 Valve, BGOR, L/P (After SN339, 8/98)
		85	M1297X	N/G BGOR Valve Conversion Kit
		86	M1221X	L/P BGOR or BMVR Valve Conversion Kit
		87 *	R3156X	7000 Combo Valve N/G (Europe-BGOR)
		88	R3104X	7000 Valve, BMVR, N/G (Before SN440, 8/98)
		89	M1260X	N/G BMVR Valve Conversion Kit
		90	R3124X	7000 Valve, BMVR, L/P (Before SN440, 8/98)
	N/S	Q4021X	Capillary Clip (Thermostat Sensor)	
	N/S	A5173S	Stacking Bracket Kit	
		*	Discontinued 7/00.	Substitute BMVR parts listed above. ALWAYS INCLUDE #M1265X Thermopile.