



30 Pine Street • New Rochelle • New York • 10801
 914 / 576 - 0200
 914 / 576 - 0605 fax
 1 - 800 - 431 - 2745 US & Canada
 www.bakerspride.com web address

LCB-48R/GS

Gas Char Broiler

PARTS LIST

Dante
 SERIES



(LCB-60GS Shown)

Model Number: **LCB-48R/GS**

Serial Number _____

Type of Gas

Natural

L.P.

Other

LCB-48R/GS

Gas Char Broiler

30 Pine Street • New Rochelle • New York • 10801

914 / 576 - 0200

914 / 576 - 0605 fax

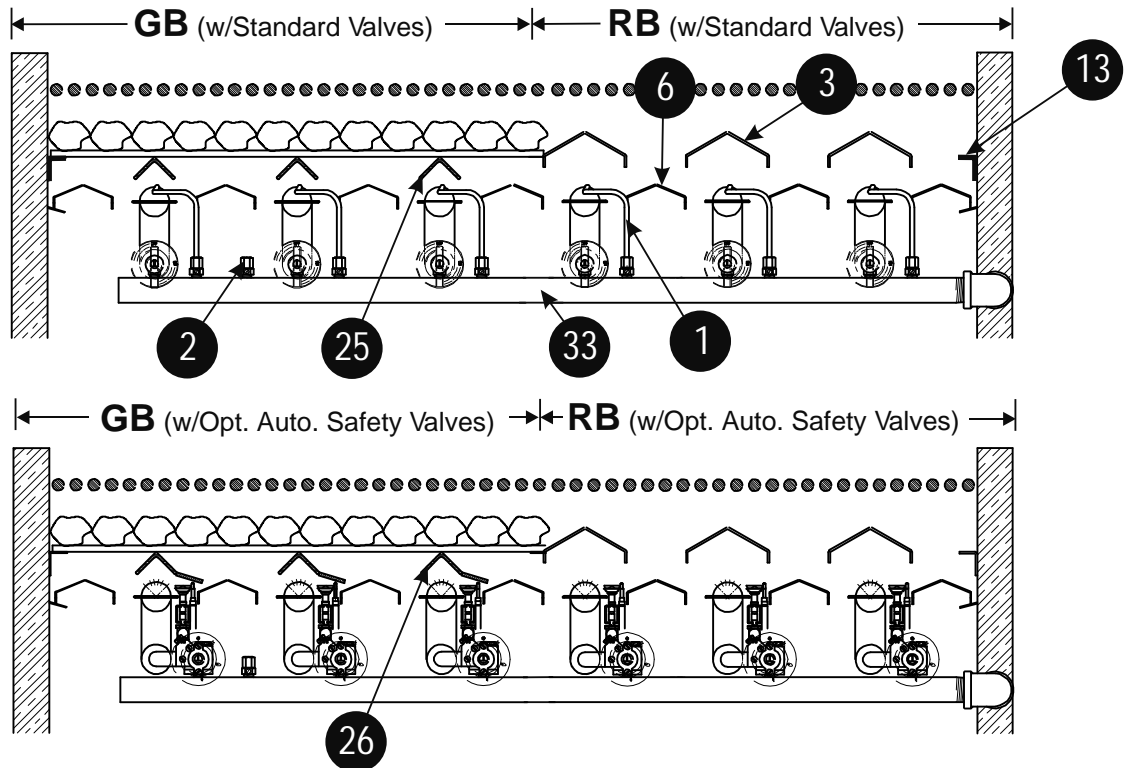
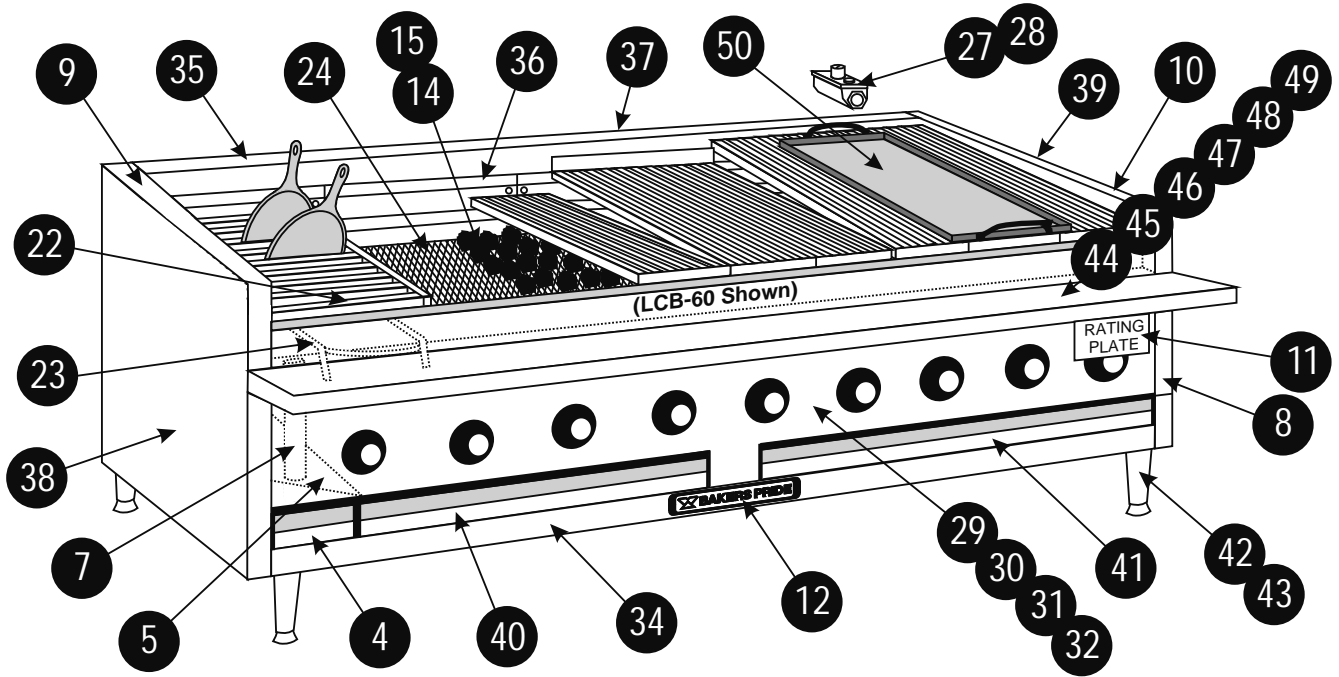
1 - 800 - 431 - 2745 US & Canada

www.bakerspride.com web address



Figure A

Exterior / Interior





30 Pine Street • New Rochelle • New York • 10801
 914 / 576 - 0200
 914 / 576 - 0605 fax
 1 - 800 - 431 - 2745 US & Canada
 www.bakerspride.com web address

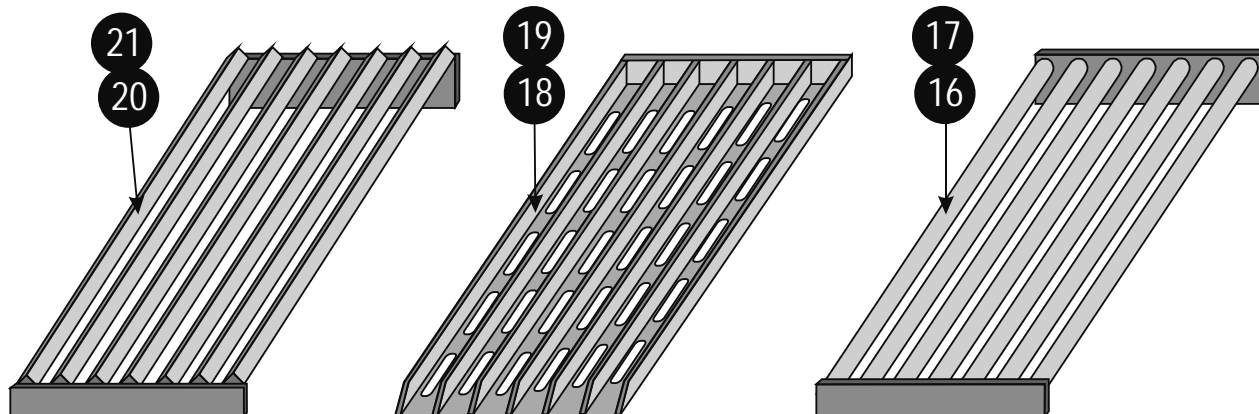
LCB-48R/GS

Gas Char Broiler

Item	Part #	Description	Item	Part #	Description
Exterior / Interior					
1	R3042X	Pilot Tube, 7 3/8" w/Nut & Ferrule	26	G5041U	Bottom Grate Support (CE) /7
2	N3068P	Pressure Tap Nozzle	27	M1009X	Pressure Regulator 3/4",10"WC (LP)
3	G5073X	Radiant S/S (Standard)	28	M1184A	Pressure Regulator 3/4",3.5"WC(Nat)
4	G5069K	Grease Drawer	29	G5169K	Control Panel-48
5	G5070U	Grease Shield Assy	30	G5173K	Control Panel, CE-48
6	G5072K	Heat Shield	31	U1322A	Control Panel Overlay-48
7	G5127U	Grease Drain Assy-48	32	U1327A	Control Panel Overlay, CE-48
8	G5212K	Manifold Cover	33	R1121A	Manifold-48
9	G5060K	Side Trim, Left	34	G5161K	Front Trim-48
10	G5061K	Side Trim, Right	35	G5165K	Back Trim-48
11	G5205K	Rating/Instruction Plate Mount	36	G5141K	Top Grate Support, 14 1/2" /3
12	U1044X	Bakers Pride Name Plate, 8"	37	G5157K	Outer Back-LCB48
13	G5039K	Bottom Grate Support, L or R Side	38	G5056K	Outer Side, Left-LCB
14	T1047X	Glo-Stones, 1/2 Lot (20#)	39	G5057K	Outer Side, Right-LCB
15	T1048X	Glo-Stones, Full Lot (40#)	40	G5067K	Drip Pan, 16 1/2" /1
16	T1197X	Top Roll-A-Grate, 9" (Standard) /1	41	G5176K	Drip Pan, 20 1/2" /1
17	T1198X	Top Roll-A-Grate, 6" (Standard) /6	42	S1014Y	Legs, 4" (Optional) each
18	T1212A	Top Grate, 6", Cast Iron (Optional)	43	S1014X	Legs, 4" (Optional) Set/4
19	T1216A	Top Grate, 4 1/2", Cast Iron (Optional)	44	G5134K	Work Deck-48
20	T1210X	Meat Grate, 6" (Optional)	45	G5123U	Front Brace Assy-48
21	T1211X	Meat Grate, 9" (Optional)	46	G5288K	Work Deck-48, 10"
22	T1213T	Fajita Top Grate (Optional)	47	G5291U	Front Brace Assy-48, 10"
23	T1214T	Fajita Bottom Grate (Optional)	48	G5310K	Work Deck-48, 12"
24	T1203A	Bottom Grate, S/S, 22" /2	49	G5311U	Front Brace Assy-48, 12"
25	G5040U	Bottom Grate Support /7	50	T1209U	Breakfast Griddle, 11"W (Optional)

Figure B

Grates



LCB-48R/GS

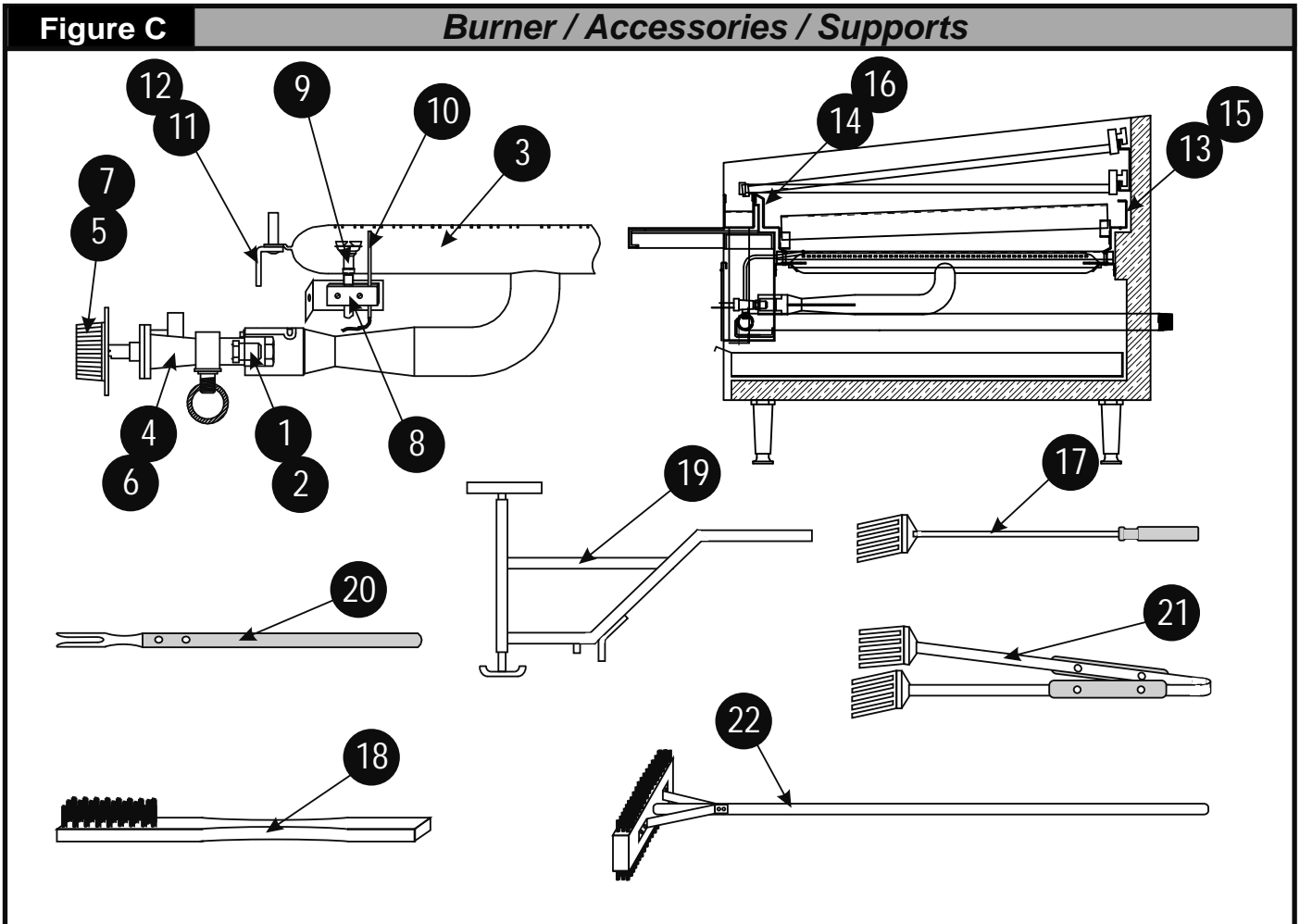
Gas Char Broiler

30 Pine Street • New Rochelle • New York • 10801
 914 / 576 - 0200
 914 / 576 - 0605 fax
 1 - 800 - 431 - 2745 US & Canada
 www.bakerspride.com web address



Figure C

Burner / Accessories / Supports



Item	Part #	Description	Item	Part #	Description
1	R3136X	Hood Orifice #54 (LP)	12	G5028U	Burner Support Assy, 17" /2
2	R3130X	Hood Orifice #44 (Nat)	13	G5044U	Radiant Support Assy, Rear 18" /1
3	L5077X	Burner, Center Feed	14	G5046U	Radiant Support Assy, Front 18" /1
4	R3032X	Gas Valve	15	G5045U	Radiant Support Assy, Rear 12" /2
5	S1094X	Knob, Gas Valve	16	G5047U	Radiant Support Assy, Front 12" /2
6	R3128X	Gas Valve (used w/Pilot Safety)	17	T5018V	Spatula, Chef-Aide, 20" Single
7	S1301X	Knob, Gas Valve, CE (used w/Pilot Safety)	18	T5017X	Wire Brush, Chef-Aide, 18"
8	G5064K	Pilot Bracket (used w/Pilot Safety)	19	G5221U	Grate Lifter
9	M1359X	Pilot Burner (used w/Pilot Safety)	20	T5016A	Meat Fork
10	M1358X	Thermocouple, 10" (used w/Pilot Safety)	21	T5019V	Steak Turner
11	G5029U	Burner Support Assy, 23" /2	22	T5104V	Twin Head Grate Brush
Conversion Kit (LP to Nat)			Conversion Kit (Nat to LP)		
7	R3130X	Hood Orifice #44 (Nat)	7	R3136X	Hood Orifice #54 (LP)
1	M1184X	Pressure Regulator 3/4", 3.5"WC (Nat)	1	M1009X	Pressure Regulator 3/4", 10"WC (LP)