



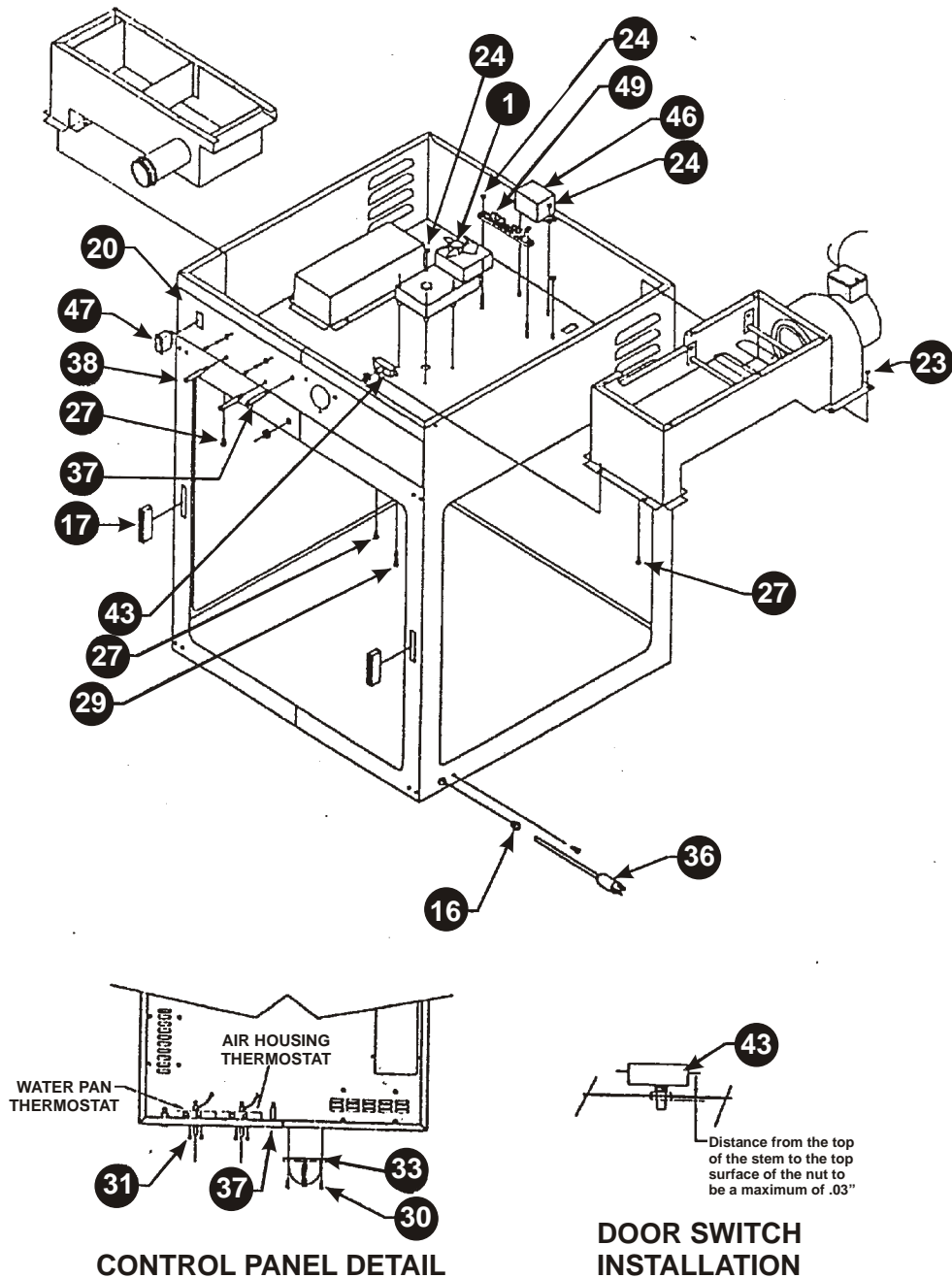
PD-4/PTD-4

Heated Display Cabinet

30 Pine Street • New Rochelle • New York • 10801
 914 / 576 - 0200
 914 / 576 - 0605 fax
 1 - 800 - 431 - 2745 US & Canada
 www.bakerspride.com web address

PARTS LIST

EXPLODED VIEW



Model Number		Serial Number	Electrical
PD-4	<input type="checkbox"/>	_____	120 Volt, 60 Hz, 1 Phase, 10.5 Amp <input type="checkbox"/>
PTD-4	<input type="checkbox"/>		220 Volt, 50 Hz, 1 Phase, 7 Amp <input type="checkbox"/>



PD-4/PTD-4

Heated Display Cabinet

30 Pine Street • New Rochelle • New York • 10801

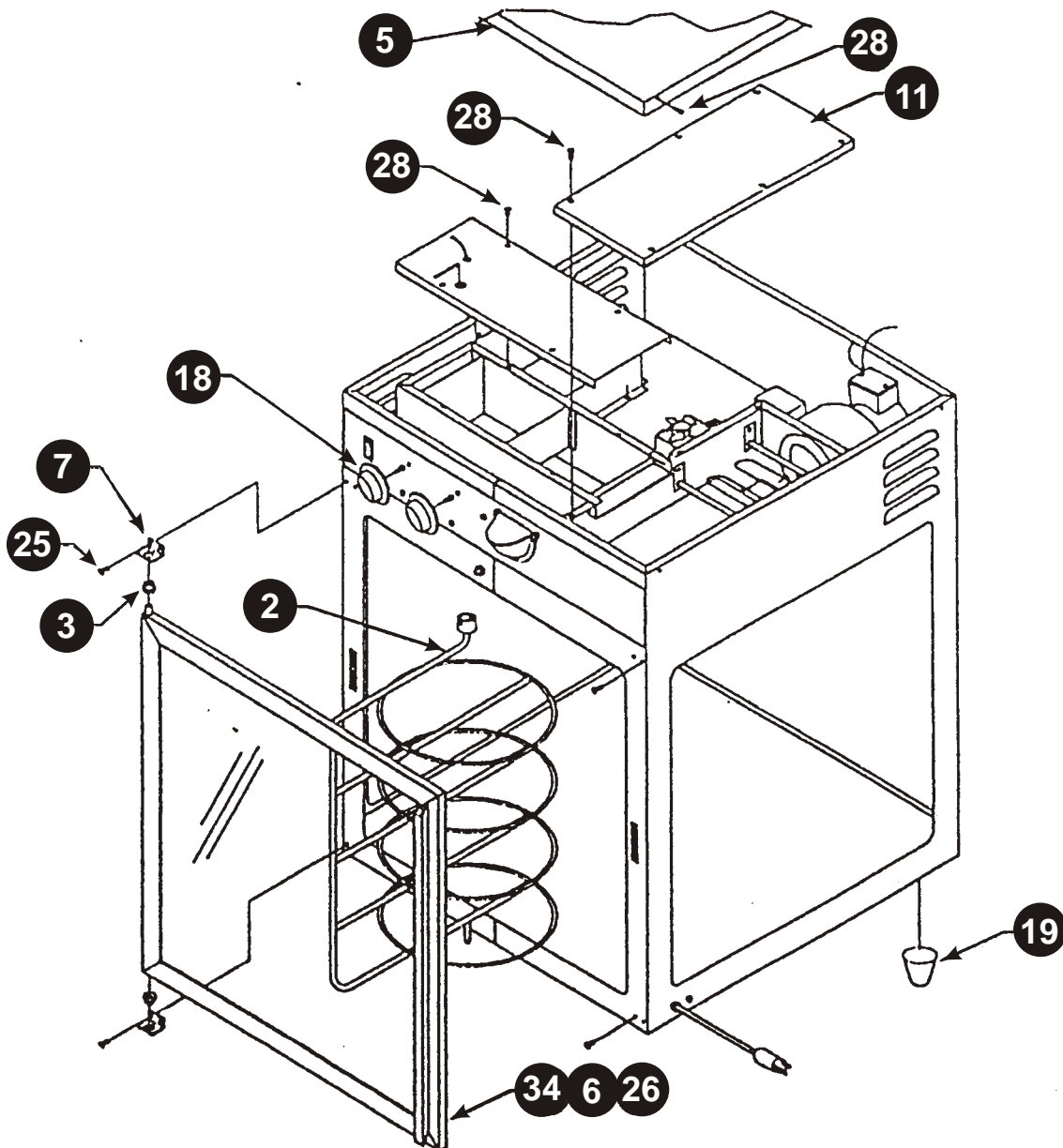
914 / 576 - 0200

914 / 576 - 0605 fax

1 - 800 - 431 - 2745 US & Canada

www.bakerspride.com web address

EXPLODED VIEW





PD-4/PTD-4

Heated Display Cabinet

30 Pine Street • New Rochelle • New York • 10801

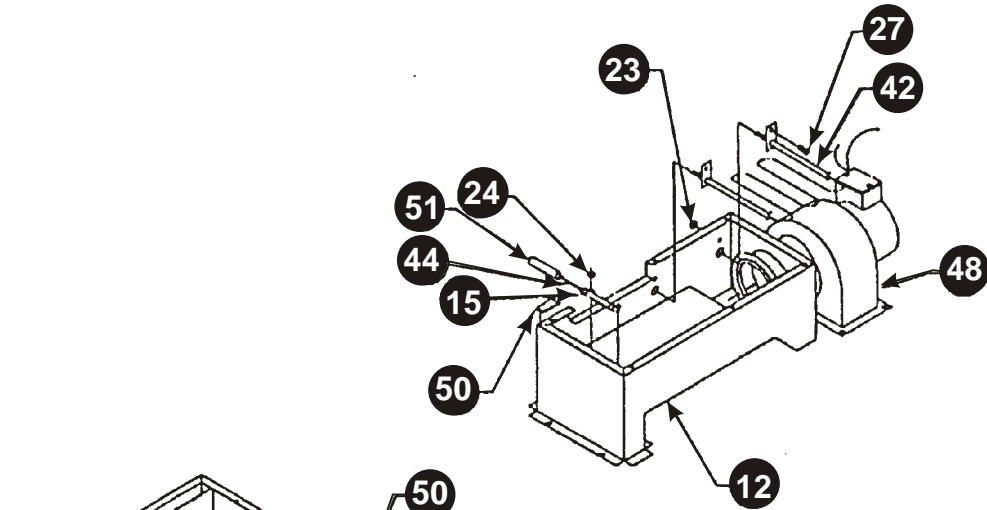
914 / 576 - 0200

914 / 576 - 0605 fax

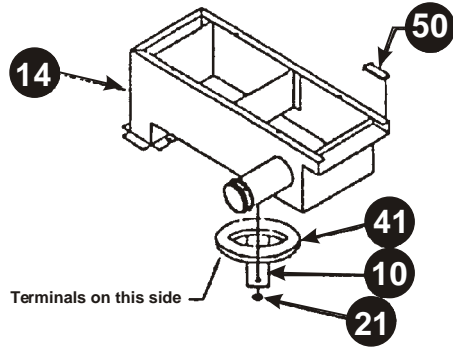
1 - 800 - 431 - 2745 US & Canada

www.bakerspride.com web address

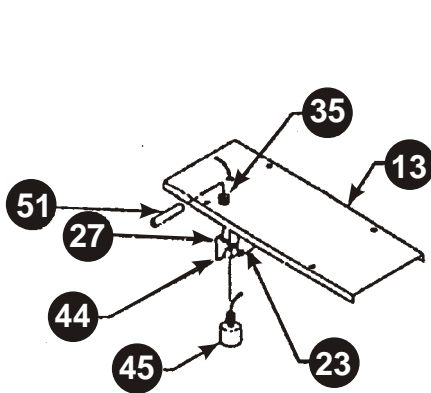
EXPLODED VIEW



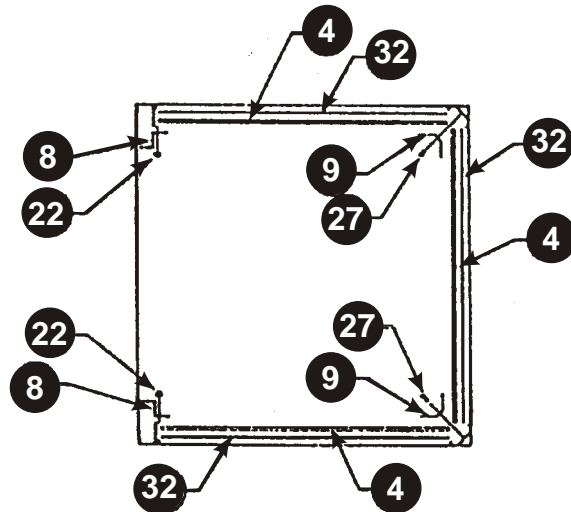
AIR HEATER ASSEMBLY



WATER PAN ASSEMBLY



WATER PAN COVER



GLASS UPRIGHTS DETAIL



PD-4/PTD-4

Heated Display Cabinet

30 Pine Street • New Rochelle • New York • 10801

914 / 576 - 0200

914 / 576 - 0605 fax

1 - 800 - 431 - 2745 US & Canada

www.bakerspride.com web address

PARTS LIST

Item	Part Number	Description	Item	Part Number	Description
1	217215-51	Display Motor, 120 V	28	81300-00	Screw, #8-32 X 3/8" Type T
	217215-52	Display Motor, 220 V	29	81139-00	Screw, #6-32 X 1-3/4" Pan Head
2	217215-45	Pizza Rack	30	81101-00	Screw, #6-32 X 3/4" Truss Head
	21 7215-46	Pretzel Rack	31	81073-00	Screw, #6-32 X 1/8" Pan Head
	217215-47	3-Shelf Slant Rack	32	29710-00	Tape, Double Sided 1/4" Wide
	217217-48	4-Shelf Food Rack	33	23283-10	Water Fill
	983620-20	5-Shelf Food Rack	34	23283-00	Door Assemble W/O Strike
3	217215-38	Door Bushing	35	21263-00	Grommet
4	217215-37	Glass Panel	36	15325-00	Cordset, 16/3
5	217215-36	Cabinet Top	37	15206-00	Indicator Light, White, 120 V
6	217215-34	Door Strike		15208-30	Indicator Light, White, 220 V
7	217215-33	Hinge Bracket	38	15205-00	Indicator Light, Red, 120 V
8	217215-32	Rear Corner Cover		15208-00	Indicator Light, Red, 220 V
9	217215-31	Front Corner Cover	39	15058-00	Light Bulb, 40 W , 120 V
10	217215-29	Heater Retainer, Water Pan		15058-75	Light Bulb, 40 W , 220 V
11	217215-28	Air Channel Top	40	15056-00	Lamp Socket
12	217215-22	Air Channel Weldment	41	14030-20	Heater, Water, 120 V
13	217215-18	Water Pan Cover Weldment		14030-22	Heater, Water, 220 V
14	217215-10	Water Pan Weldment	42	14030-00	Heater, Air, 120 V
15	89804-00	Clamp, 1/4" Dia.		14030-02	Heater, Air, 220 V
16	89674-00	Bushing, Strain Relief	43	13278-00	Switch, Door
17	87177-00	Magnetic Catch	44	13277-00	Thermostat
18	87055-00	Knob, Thermostat	45	13149-00	Switch, Float
19	86621-00	Leg, 1" Adjustable	46	13132-00	Relay, 120 V
20	88090-00	Decal, Control Panel		13133-00	Relay, 220 V
21	84171-00	Nut, #10-32 Hex Keps	47	13056-10	Switch, Power
22	84095-00	Nut, #8-32 Acorn	48	12168-00	Blower, 75 CFM, 120 V
23	84083-00	Nut, #8-32 Hex Keps		217215-71	Blower, 75 CFM, 220 V
24	84001-00	Nut, #6-32 Hex Keps	49	11068-00	Terminal Block
25	81759-00	Screw, #10-32 X 1/2" Truss Head	50	10362-00	Tape, Silicone Seal 1/2" Wide
26	81537-00	Screw, #8-32 X 1/2" Flat Head	51	10009-00	Sleeve, Fiberglass
27	81349-00	Screw, #8-32 X 3/8" Truss Head			