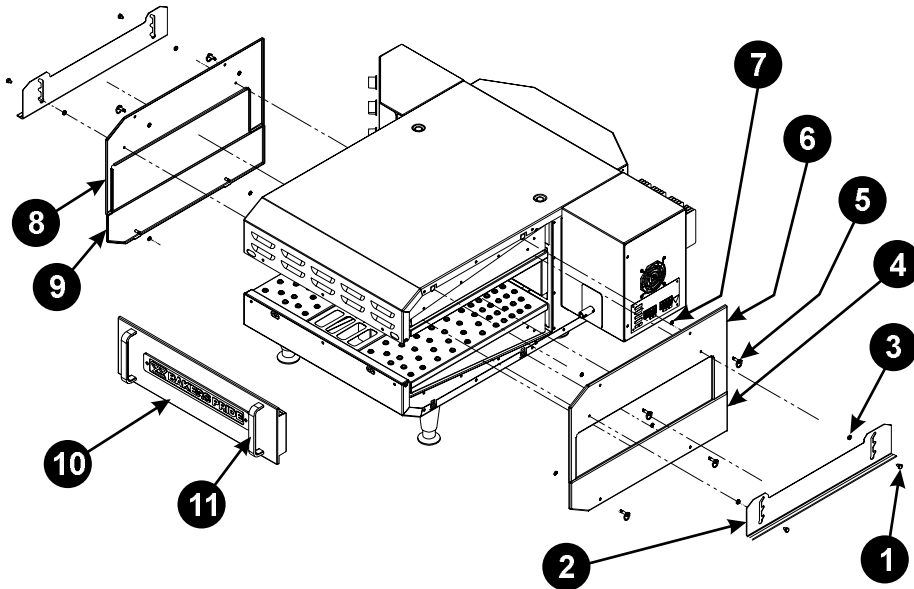
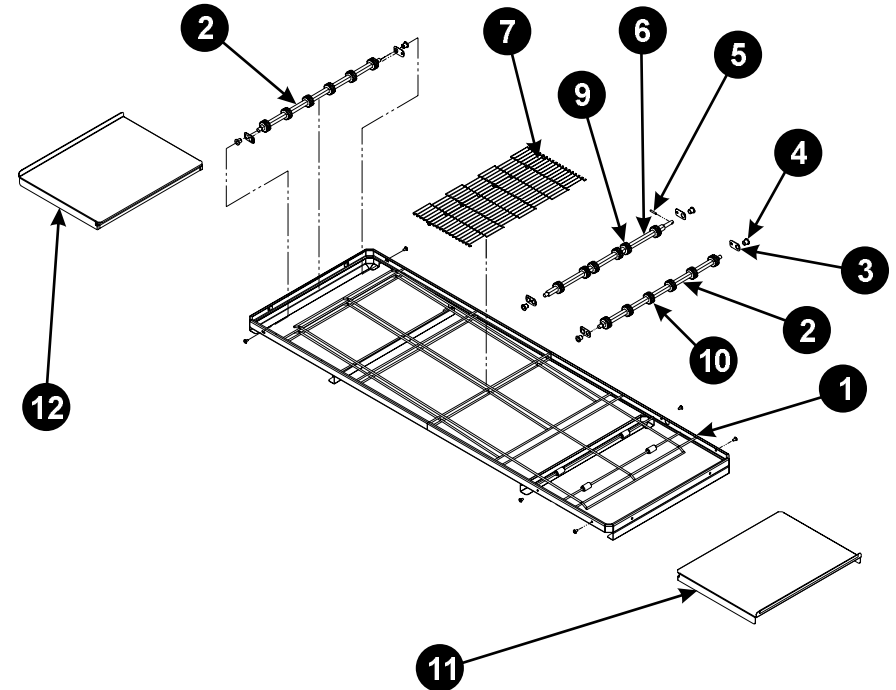


Figure "A" External Covers



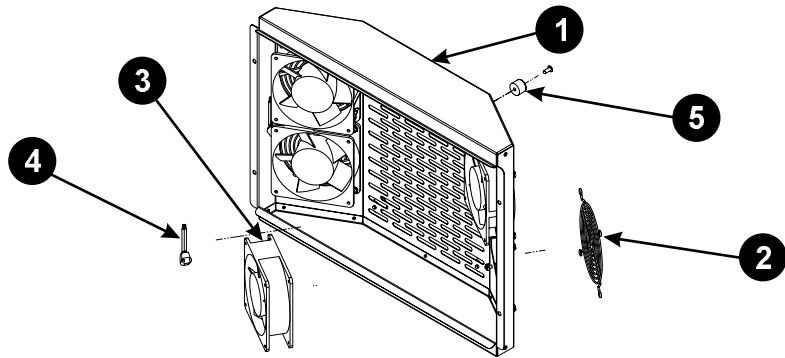
Item	Part Number		Description	Quan
	1620E	1828E		
1	S3255A	S3255A	Hanger Pin (For Item #2)	4
2	B6539K	B6051K	Adjustable Baffle	2
3	Q1499A	Q1499A	Lock Nut (For Item #1)	4
4	B6535U	B6037U	Outer Lower Cover, Right	1
5	Q4043A	Q4043A	1/4 Turn Fastener	8
6	B6536U	B6038U	Outer Upper Cover, Right	1
7	Q4044A	Q4044A	Retaining Ring (For Item #5)	8
8	B6538U	B6038U	Outer Upper Cover, Left	1
9	B6537U	B6037U	Outer Lower Cover, Left	1
10	B6533T	B6216T	Removable Door Assy	1
11	S3256A	S3256A	Door Handle	2

Figure "B" Conveyor Assembly



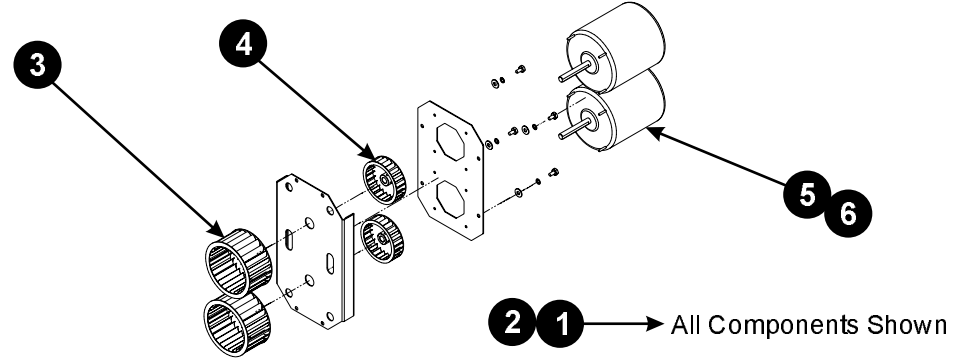
Item	Part Number		Description	Quan
	1620E	1828E		
1	B6546U	B6227T	Complete conveyor assy with wire belt	1
2	S3268U	S3266U	Idler shaft assy (complete w/sprockets)	2
3	B6068U	B6068U	Bearing clip assy	6
4	S3254A	S3254A	Plastic bearing	6
5	Q4045A	Q4045A	Drive pin in drive shaft	1
6	S3269U	S3267U	Drive shaft assy (complete w/sprockets)	1
7	S3252A	S3253A	Complete wire belt assembly	1
8	S3258A	S3259A	Wire belt master link (not shown)	2
9	S3270A	S3270A	Drive sprocket (metal)	6
10	S3250A	S3250A	Idler sprocket (plastic)	12
11	B6569U	B6087U	Discharge Extension Tray	1
12	B6571U	B6089U	Infeed Extension Tray	1

**Figure "C" Blower Motor Cover Assembly**



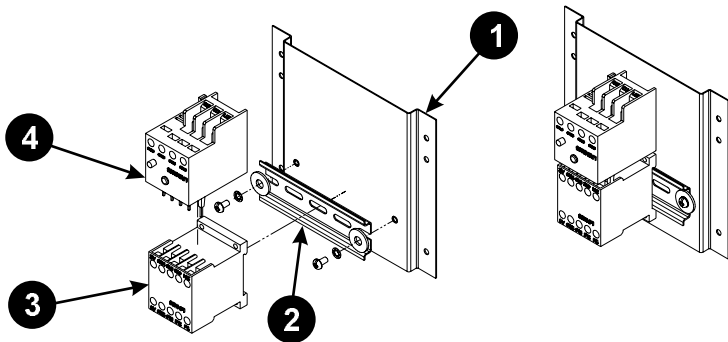
Item	Part Number	Description	Quan	
	1620E	1828E		
1	B6565U	B6219U	Rear Blower Motor Cover	1
2	M1504A	Q1504A	Fan Guard	4
3	M1532A	M1532A	Large Axial Fan 220/240V	4
4	P6470A	P6471A	Fan Cord Assy	2
5	S1392A	S1392A	Rubber Bumper (Rear Exterior)	4

**Figure "D" Blower Assembly**



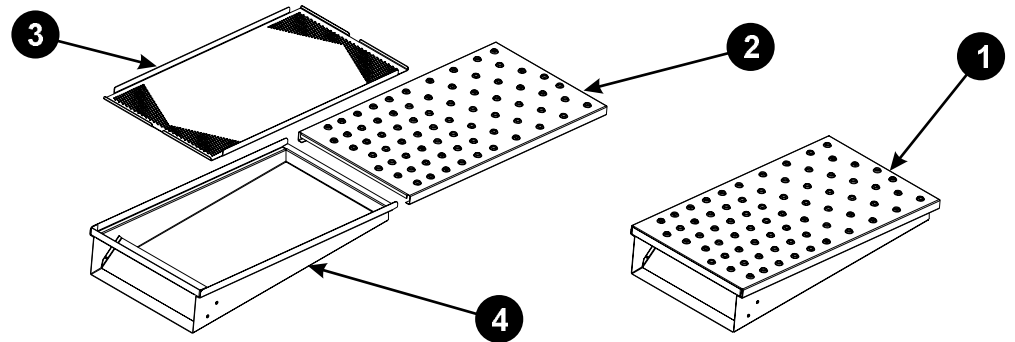
Item	Part Number	Description	Quan	
	1620E	1828E		
1	M1541U	M1537U	Complete Blower Assy, VH, 1 or 3 Ph	1
2	M1542U	M1511U	Complete Blower Assy, VHVA, 1 or 3 Ph	1
3	M1515A	M1510A	Main Blower Wheel	1
4	S3260A	S3260A	Minor Wheel (Heat Slinger)	2
5	M1537A	M1537A	Blower Motor, 1/4 HP, VH, 1 or 3 Ph	2
6	M1511A	M1511A	Blower Motor, 1/4 HP, VHVA, 1 or 3 Ph	2

**Figure "E" VH Series Ovens Only**



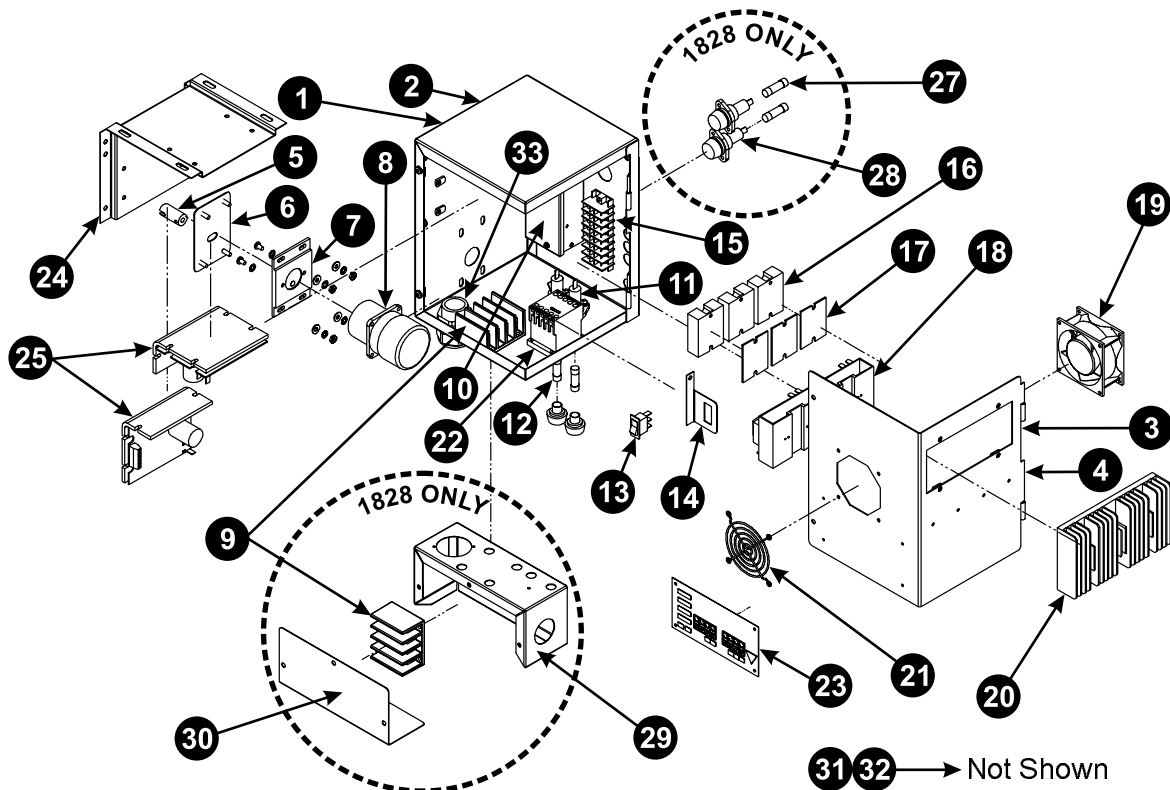
Item	Part Number	Description	Quan	
	1620E	1828E		
1	B6086U	B6086U	Mount Bracket Assy	1
2	P1150A	P1150A	DN Rail	1
3	M1378A	M1378A	Contactor	1
4	M1379A	M1379A	Overload Relay	1

**Figure "F" Plenum "Finger" Assembly**



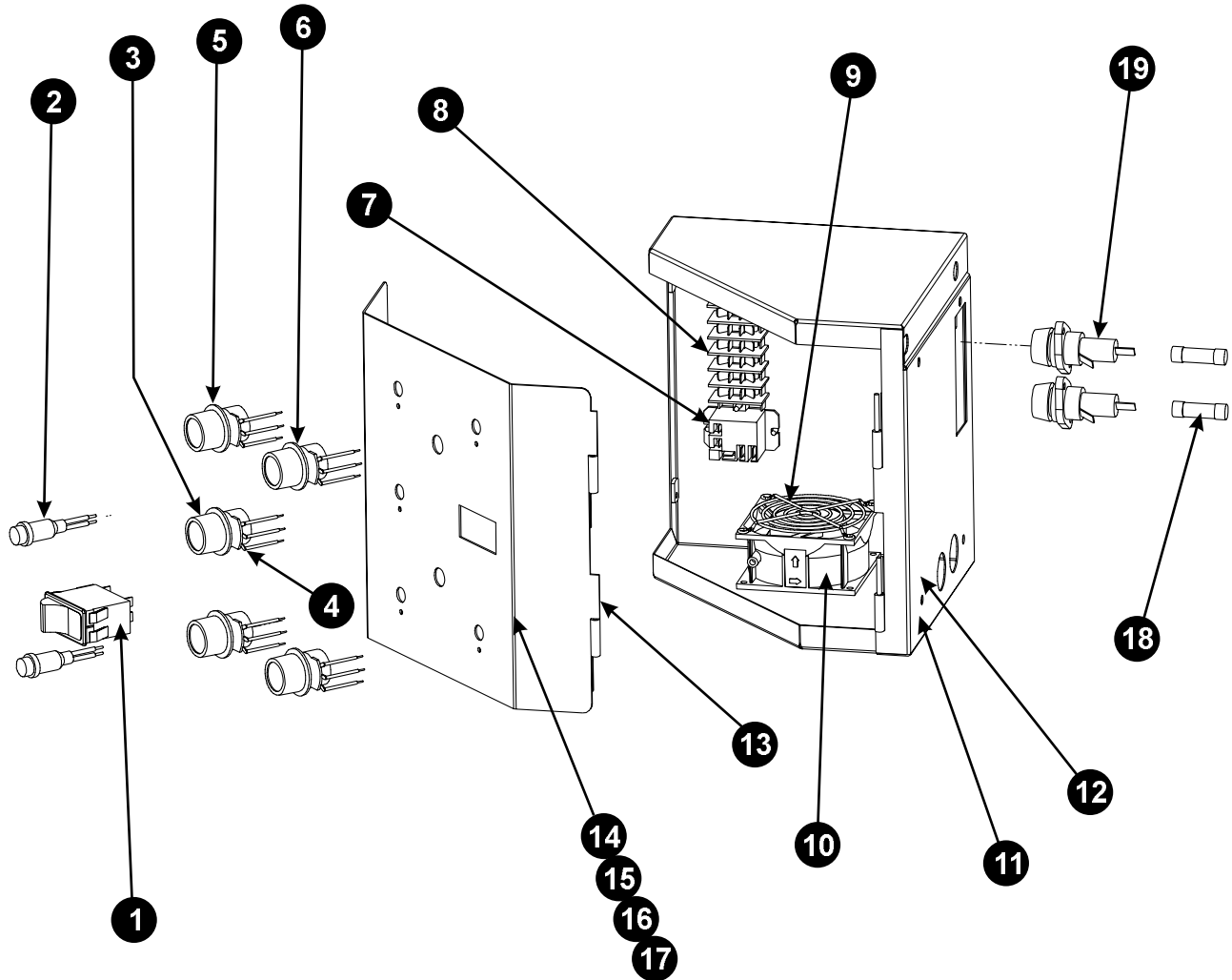
Item	Part Number	Description	Quan	
	1620E	1828E		
1	B6529T	B6221T	Complete Plenum "Finger" Assy (Items 2, 3 & 4)	4
2	B6531K	B6225K	Outer "Perforated" Panel	4
3	B6532K	B6226K	Inner Perforated Panel	4
4	B6530U	B6222U	Main Body Panel	4

Figure "G" Main Power Control Box



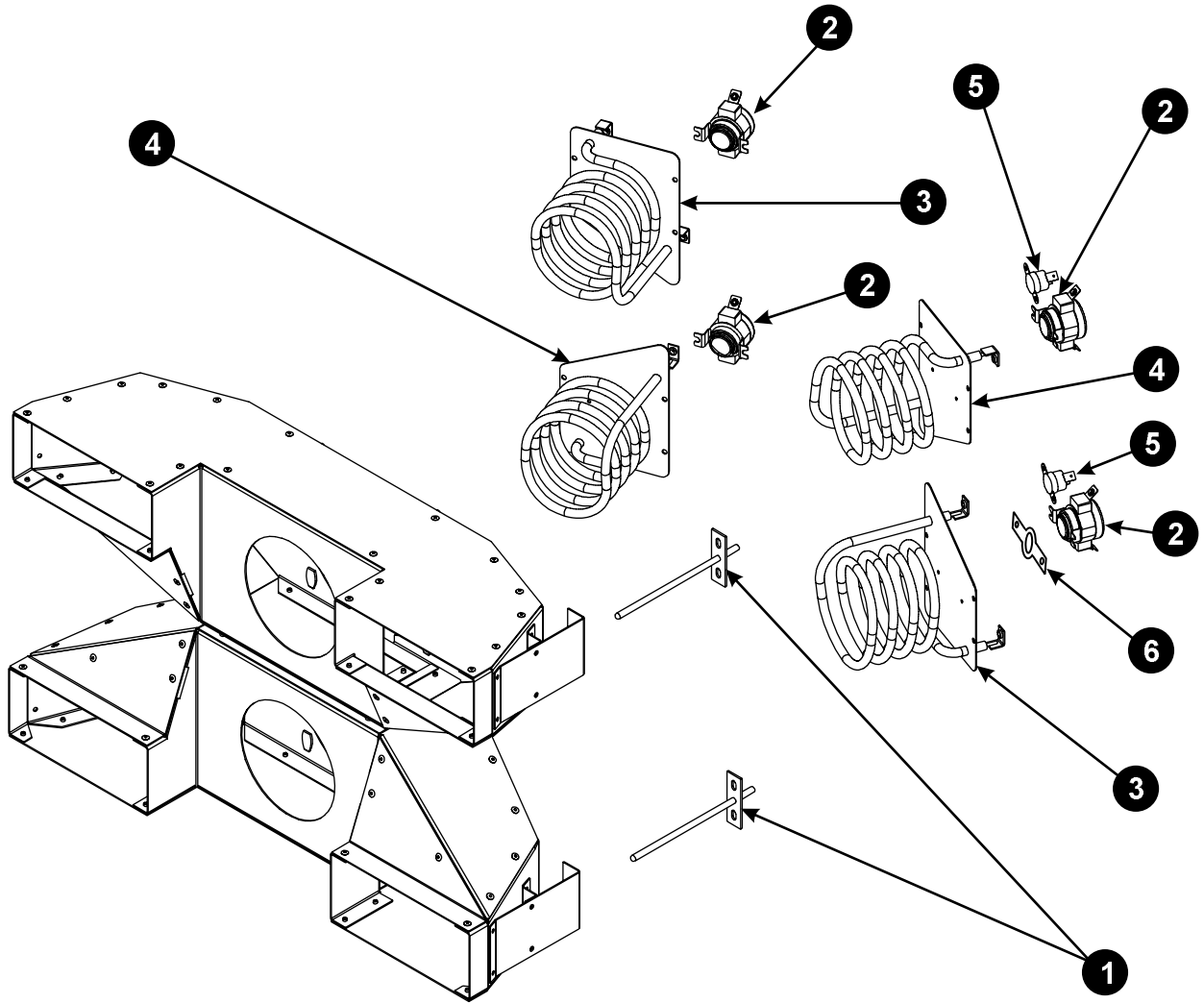
Item	Part Number		Description	Quan
	1620E	1828E		
1	B6562T	B6071T	Main Control Box Assy (Complete w/items 5-15 & 22)	1
2	B6562U	B6071U	Main Control Box Only (Bare)	1
3	B6564T	B6072T	Hinged Door Assy (Complete w/items 16-21 & 23)	1
4	B6564U	B6072U	Hinged Door Only (Bare)	1
5	S3262A	S3262A	Gearmotor Coupling	1
6	B6074U	B6074U	Gearmotor Adjustment Plate	1
7	S3263A	S3263A	Gearmotor Adapter Plate	1
8	M1501A	M1501A	Gearmotor - Belt Conveyor Drive	1
9	P1175A	P1175A	Power Distribution Terminal Block (1620 Uses 1, 1828 Uses 2)	1 or 2
10	M1538A	M1538A	Gearmotor Power Supply	1
11	P1064A	P1064A	Fuseholder w/Cap	2
12	P1190A	P1190A	Fuse SC-5 Amp	2
13	M1307A	M1307A	Gearmotor Reversing Switch	1
14	B6079K	B6079K	Reversing Switch Mounting Bracket	1
15	P1170A	P1170A	Terminal Block	1
16	M1517A	M1517A	Solid State Relay	3
17	M1525A	M1525A	Thermal Pad	3
18	M1500A	M1500A	Temperature Control	2
19	M1235A	M1235A	Cooling Fan	1
20	M1521A	M1521A	Heat Sink	1
21	M1524A	M1524A	Fan Guard	1
22	M1378A	M1378A	Contactors	1
23	U1061A	U1060A	Rating Plate	1
24	B6073U	B6073U	Air Speed Control Mount Bracket Assy (VHVA Only)	1
25	M1529A	M1529A	Air Blower Speed Control (208V Only) (VHVA Only)	2
26	M1513A	M1513A	Air Blower Speed Control (240V Only) (VHVA Only)	2
27	N/A	P1008A	Fuse SC-20 Amp (1828 Single-phase Only)	2
28	N/A	P1007A	Fuseholder w/Cap (1828 Single-phase Only)	2
29	N/A	B6250K	Junction Box (1828 Only)	1
30	N/A	B6251K	Cover, Junction Box (1828 Only)	1
31	P6486A	N/A	Power Cord Assembly, Single-phase (Not Shown)	1
32	P6469A	N/A	Power Cord Assembly, Three-phase (Not Shown)	1
33	P1172A	N/A	Strain Relief	1

Figure "H" Electric Control Box



Item	Part Number		Description	Quan	
	208 Volt	240 Volt		VH	VHVA
1	M1352A	M1352A	Main Switch	1	1
2	P1171A	P1171A	Indicator Light (On for Heat Demand)	2	2
3	S1205A	S1205A	Knob	3	5
4	M1519A	M1519A	Potentiometer (Conveyor Belt Speed Adjust)	1	1
5	M1531A	M1531A	Potentiometer (Air Blower Speed Adjust)	0	2
6	M1505A	M1505A	Potentiometer (Air Temperature Control)	2	2
7	M1533A	M1535A	Relay	1	1
8	P1170A	P1170A	Terminal Block	1	1
9	M1524A	M1524A	Fan Guard	2	2
10	M1235A	M1235A	Cooling Fan	1	1
11	B6237T	B6237T	Electric Control Box (w/items 8, 9, 11, & 12)	1	1
12	B6237U	B6237U	Electric Control Box Only	1	1
13	B6236U	B6236U	Hinged Door Assy	1	1
14	U1370A	U1370A	Door Label (VH1620E)	1	0
15	U1366A	U1366A	Door Label (VH1828E)	1	0
16	U1369A	U1369A	Door Label (VHVA1620E)	0	1
17	U1365A	U1365A	Door Label (VHVA1828E)	0	1
18	N/A	P1008A	Fuse SC-20A (1828 Single-phase Only)	2	2
19	N/A	P1007A	Fuseholder w/Cap (1828 Single-phase Only)	2	2

**Figure "I" Cool-Down Thermostat, Elements, Switch & Probe**



Item	Part Number						Description	Quan
	Model 1620E			Model 1828E				
	208V	220V	240V	208V	220V	240V		
1	M1518A	M1518A	M1518A	M1518A	M1518A	M1518A	Temperature Sensor Probe	2
2	M1520A	M1520A	M1520A	M1520A	M1520A	M1520A	High-Limit Switch	4
3	L1181A	L1189A	L1183A	L1185A	L1191A	L1187A	Heating Element, Left Hand	2
4	L1182A	L1190A	L1184A	L1186A	L1192A	L1188A	Heating Element, Right Hand	2
5	M1534A	M1534A	M1534A	M1534A	M1534A	M1534A	Cool-Down Thermostat	2
6	B6245K	B6245K	B6245K	B6245K	B6245K	B6245K	Spacer	4