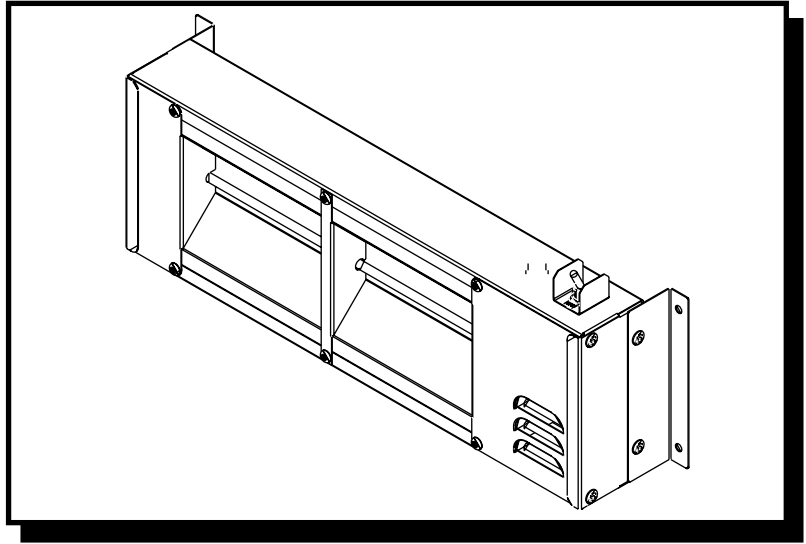




**INSTALLATION  
AND  
OPERATING  
INSTRUCTIONS**



**Models: FD, FDD, FDL & FDDL**

**OVERHEAD WARMERS**

**INTENDED FOR OTHER THAN HOUSEHOLD USE**

**RETAIN THIS MANUAL FOR FUTURE REFERENCE  
UNIT MUST BE KEPT CLEAR OF COMBUSTIBLES AT ALL TIMES**



**FOR YOUR SAFETY:** Do not store or use gasoline or other flammable vapors and liquids in the vicinity of this or any other appliance.



**WARNING:** Improper installation, adjustment, alteration, service or maintenance can cause property damage, injury or death. Read the Installation, Operating and Maintenance Instructions thoroughly before installing or servicing this equipment.



Initial heating of unit may generate smoke or fumes and must be done in a well ventilated area. Overexposure to smoke or fumes may cause nausea or dizziness.

This equipment has been engineered to provide you with year-round dependable service when used according to the instructions in this manual and standard commercial kitchen practices.



ANSI/NSF4

Phone: (214) 421-7366  
Fax: (214) 565-0976  
Toll Free: (800) 527-2100  
Website: [www.apwwyott.com](http://www.apwwyott.com)  
E-mail: [info@apwwyott.com](mailto:info@apwwyott.com)

P/N 70400000 Rev. 3/06

**APW WYOTT**  
729 Third Avenue  
Dallas, TX 75226

# TABLE OF CONTENTS

| SECTION | ITEM                                | PAGE |
|---------|-------------------------------------|------|
| 1       | <b>Owner's Information</b>          | 2    |
|         | General Information                 | 2    |
|         | Installation Instructions           | 3    |
|         | General Operation Instructions      | 4    |
|         | Warranty Information                | 4    |
| 2       | <b>Important Safety Information</b> | 4    |
| 3       | <b>Specifications</b>               | 4    |
|         | Electrical                          | 4    |
|         | Dimensions                          | 5    |
| 4       | <b>Operation</b>                    | 6    |
|         | Operating Instructions              | 6    |
| 5       | <b>Cleaning</b>                     | 6    |
|         | General Cleaning Instructions       | 6    |
| 6       | <b>Troubleshooting</b>              | 6    |
| 7       | <b>Wiring Diagrams.</b>             | 7    |
|         | FD Wiring Diagrams                  | 7    |
|         | FDL Wiring Diagrams                 | 8    |
|         | FDD Wiring Diagrams                 | 9    |
|         | FDDL Wiring Diagrams                | 10   |
| 8       | <b>Parts Lists</b>                  | 11   |
|         | FD Replacement Parts                | 11   |
|         | FDL Replacement Parts               | 14   |
|         | FDD or FDDL Replacement Parts       | 17   |
| 9       | <b>Warranty</b>                     | 20   |

## 1. OWNERS INFORMATION

### General Information:

1. Always clean equipment thoroughly before first use. (See general cleaning instructions).
2. Check rating label for your model designation and electrical rating.
3. For best results, use stainless steel countertops.
4. All dimensions in parenthesis in centimeters unless noted.
5. APW Wyott Overhead Foodwarmers are constructed from high quality stainless steel and available in lengths from 18" to 96". Utilizing a metal sheath-heating element with a specially designed reflector, these units give uniform heat over the entire holding surface.
6. In Europe, contact an APW Wyott authorized service agency for replacement light bulbs.

### Installation Instructions:

- A. Always clean equipment thoroughly before first use (See cleaning instructions).
- B. Provide the following clearances around foodwarmer:

Do not install closer than: **A** = Minimum clearance (in inches) to **Bottom Surface of unit from Tabletop**  
**B** = Minimum clearance (in inches) to **Back of unit.**  
**C** = Minimum clearance (in inches) to **Sides of unit.**

| CLEARANCES FOR OVERHEADS |              |     |     |             |    |   |   |
|--------------------------|--------------|-----|-----|-------------|----|---|---|
| MODEL                    | HIGH WATTAGE |     |     | LOW WATTAGE |    |   |   |
|                          | A            | B   | C   | A           | B  | C | C |
| FDD/FDDL-18              | 28           | 12  | 2   | 24          | 12 | 2 | 2 |
| FDD/FDDL-24              | 28           | 12  | 2   | 24          | 12 | 2 | 2 |
| FDD/FDDL-30              | 28           | 12  | 2   | 24          | 12 | 2 | 2 |
| FDD/FDDL-36              | 28           | 12  | 2   | 24          | 12 | 2 | 2 |
| FDD/FDDL-42              | 28           | 12  | 2   | 24          | 12 | 2 | 2 |
| FDD/FDDL-48              | 28           | 12  | 2   | 24          | 12 | 2 | 2 |
| FDD/FDDL-54              | 28           | 12  | 2   | 24          | 12 | 2 | 2 |
| FDD/FDDL-60              | 28           | 12  | 2   | 24          | 12 | 2 | 2 |
| FDD/FDDL-66              | 28           | 12  | 2   | 24          | 12 | 2 | 2 |
| FDD/FDDL-72              | 28           | 12  | 2   | 24          | 12 | 2 | 2 |
| FDD/FDDL-84              | N/A          | N/A | N/A | 24          | 12 | 2 | 2 |
| FDD/FDDL-96              | N/A          | N/A | N/A | 24          | 12 | 2 | 2 |
| FD/FDL-18                | 16           | 2   | 2   | 16          | 2  | 2 | 2 |
| FD/FDL-24                | 16           | 2   | 2   | 16          | 2  | 2 | 2 |
| FD/FDL-30                | 16           | 2   | 2   | 16          | 2  | 2 | 2 |
| FD/FDL-36                | 16           | 2   | 2   | 16          | 2  | 2 | 2 |
| FD/FDL-42                | 16           | 2   | 2   | 16          | 2  | 2 | 2 |
| FD/FDL-48                | 16           | 2   | 2   | 16          | 2  | 2 | 2 |
| FD/FDL-54                | 16           | 2   | 2   | 16          | 2  | 2 | 2 |
| FD/FDL-60                | 16           | 2   | 2   | 16          | 2  | 2 | 2 |
| FD/FDL-66                | 16           | 2   | 2   | 16          | 2  | 2 | 2 |
| FD/FDL-72                | 16           | 2   | 2   | 16          | 2  | 2 | 2 |
| FD/FDL-84                | N/A          | N/A | N/A | 16          | 2  | 2 | 2 |
| FD/FDL-96                | N/A          | N/A | N/A | 16          | 2  | 2 | 2 |

- C. Consult foodwarmer rating label for model designation and correct operating voltage and amperage.
- D. Ceiling mounting brackets are provided with each foodwarmer for chain or shelf mounting. Remove brackets from packaging and screws from ends of foodwarmer to attach brackets. Use four #10 screws or studs with locknuts for shelf mounting. For chain mounting, use #14 jack chain and "S" hooks.
- E. Remote switches are recommended. Longer switch life will result from cooler switch mounting locations. Optional stainless steel remote toggle and infinite switch box kits are available. Installation of remote switch box by service personnel requires 7/8" conduit, 1/4" push-on terminals, and no. 14 AWG copper wire suitable for at least 90°C. Mount remote box to flat surface with two #10 screws or studs with locknuts. All wires marked as shown on wiring diagram.
- F. Optional tubular stands are available for permanently mounting foodwarmers to non-combustible countertops.
- G. Optional portable legs are available for foodwarmers for use over non-combustible countertops.
- H. Installation of cord sets by service personnel should utilize the strain relief, grounding stud, and porcelain wire nuts provided with foodwarmers.
- I. If unit is supplied with a power cord, the appliance must be positioned so that the plug is accessible.

**NOTE:** TO AVOID BURNING OR CHARRING OF MATERIALS IN THE SURFACE BELOW THE FOODWARMER USE ONLY ABOVE AN ALL-METAL STRUCTURE SUCH AS A TABLE OR COUNTERTOP. SEE MINIMUM CLEARANCE CHART ABOVE.

REMOTE SWITCHES ARE RECOMMENDED FOR UNDER SHELF MOUNTING. LONGER SWITCH LIFE WILL RESULT FROM COOLER SWITCH MOUNTING LOCATIONS.

## **General Operation Instructions:**

1. All foodservice equipment should be operated by trained personnel.
2. Do not allow your customers to come in contact with any surface labeled "CAUTION HOT".
3. Never hold food below 150°F (66°C).

## **Warranty Information:**

### **Reliability Backed By APW Wyott's Warranty:**

All APW Wyott Overhead Warmers are backed by a one year parts and labor warranty, including On-Site Service calls within 50 miles of authorized service technicians.

## **Service Information:**

Service Hotline (800) 733-2203

## **2. SAFETY INFORMATION**

APW Wyott Overhead Warmers are designed, built and sold for commercial use and should be operated by trained personnel only. Clearly post all CAUTIONS, WARNINGS and OPERATING INSTRUCTIONS near each unit to insure proper operation and to reduce the chance of personal injury and/or equipment damage.

Always disconnect power before servicing the Overhead Warmer. Surfaces will remain hot after power has been turned off. Allow unit to cool before cleaning or servicing. Never clean the Overhead Warmer by immersing it in water. The Overhead Warmer is not protected against water jets; DO NOT CLEAN OVERHEAD WARMER WITH A WATER JET. Always clean equipment before first use.

## **3. SPECIFICATIONS**

### **Electrical:**

- A. Single-phase operation at 120, 208, 230, and 240 volts. (See label on each unit).
- B. Field-wired units provided with 7/8" conduit hole, 6" long leads, and porcelain wire nuts. For supply connections, use minimum no. 14 AWG copper wires suitable for at least 90°C.
- C. U.S. cord-connected units provided with following plug configuration:
  1. 120 volt up to 1440 watts = NEMA 5-15P; 120 volt up to 1920 watts = NEMA 5-20P
  2. 208 volt up to 2496 watts = NEMA 6-15P; 208 volt up to 3328 watts = NEMA 6-20P
  3. 240 volt up to 2880 watts = NEMA 6-15P; 240 volt up to 3840 watts = NEMA 6-20P
- D. European cord-connected units provided with following plug configuration:
  1. Continental Europe 230 volt up to 3600 watts = Schuko CEE7/7
  2. UK 230 volt up to 2930 watts = Bs1363

If the supply cord is damaged, an authorized service agent or a similarly qualified person must replace it to avoid a hazard or voiding the warranty.

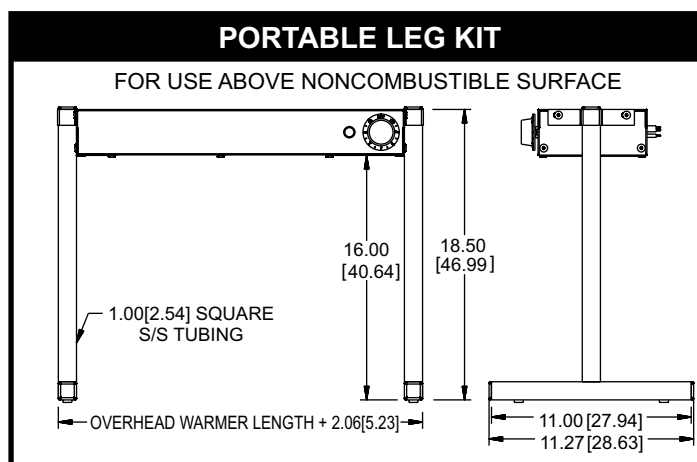
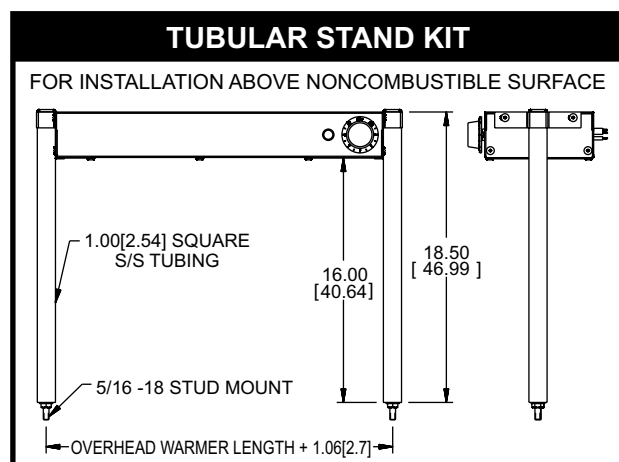
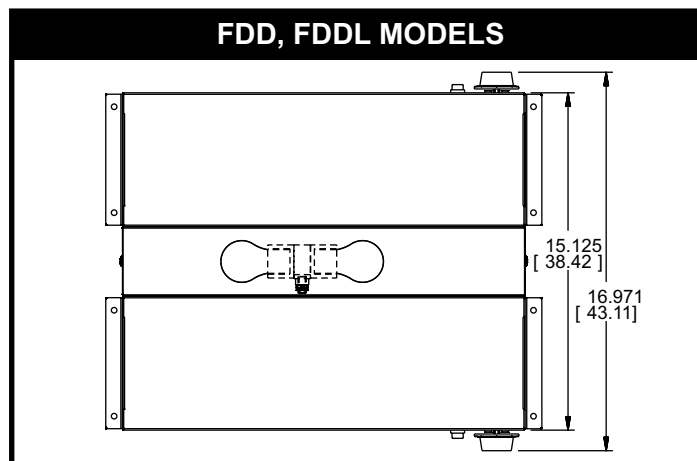
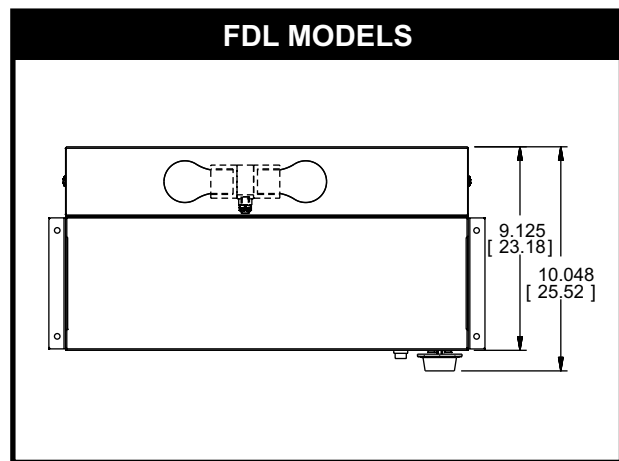
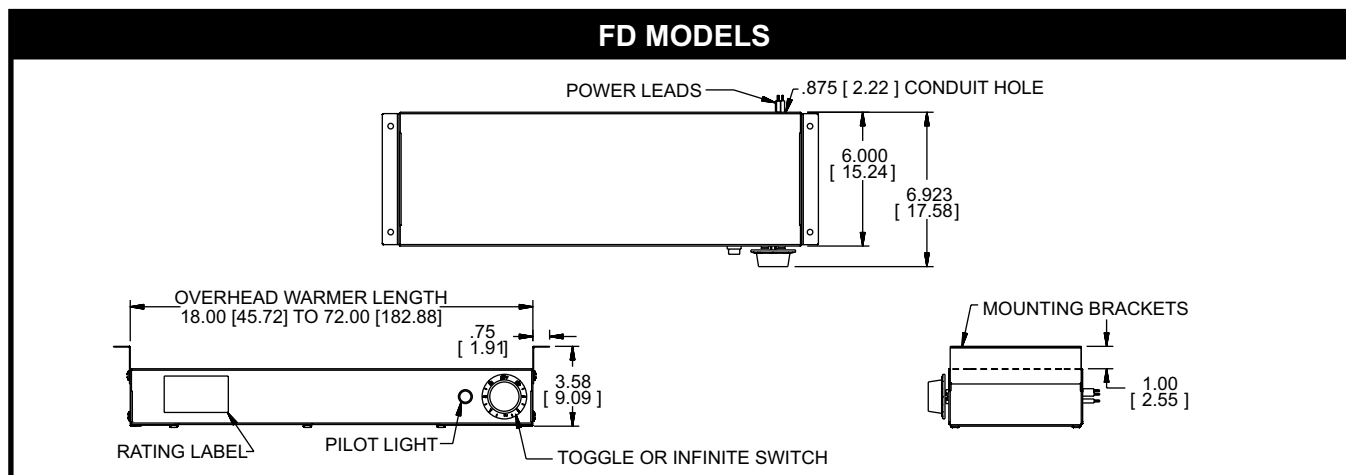


**WARNING:** ELECTRICAL SHOCK HAZARD. FAILURE TO FOLLOW THE INSTRUCTIONS IN THIS MANUAL COULD RESULT IN SERIOUS INJURY OR DEATH.



- Electrical Ground is required on this appliance.
- Do not modify the power supply cord plug. If it does not fit into the outlet, have the proper outlet installed by a qualified electrician
- Do not use an extension cord with this appliance.
- Check with a qualified electrician if you are unsure as to whether the appliance is properly grounded.

**Overall Dimensions:**



## **4. Operation**

- A. All foodservice equipment should be operated by trained personnel.
- B. Do not allow your customers to come in contact with any surface labeled "CAUTION HOT".
- C. Switch on unit. Place precooked product under heat source. Maximum heat coverage equivalent to unit length.
- D. Never hold food below 150°F.

## **5. Cleaning**

### **General Cleaning Instructions:**

- A. Never clean any electrical unit by immersing it in water. Turn off before surface cleaning.
- B. Never clean any electrical unit using water jets.
- C. Disconnect power before cleaning or servicing units. All service should be performed by an APW authorized service agency.
- D. Clean unit daily. Use warm, soapy water. Mild cleansers and non-abrasive pads may be used to remove baked-on food.

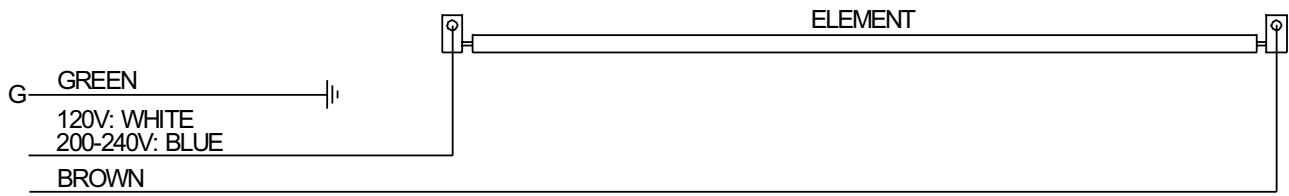
## **6. Troubleshooting**

- A. Always ask and check:
  - 1. Is the unit connected to a live power source?
  - 2. Check the circuit breaker.
  - 3. Is the power switch on and pilot light illuminating?
  - 4. Check the rating label. Is the unit operating on proper voltage?
- B. If the above checks out, and problems still exist, call an APW Wyott authorized service agency.
- C. All service should be performed by an APW Wyott authorized service agency.

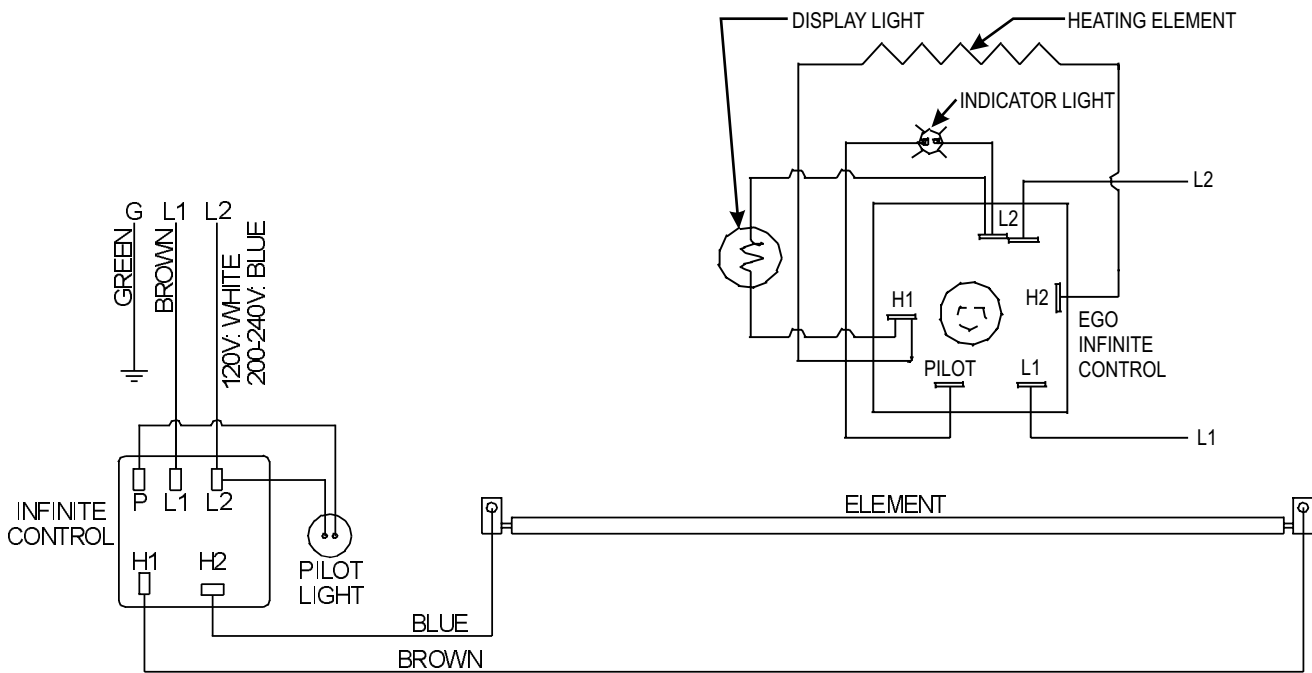
## 7. WIRING DIAGRAMS

### FD18-72 WIRING DIAGRAM

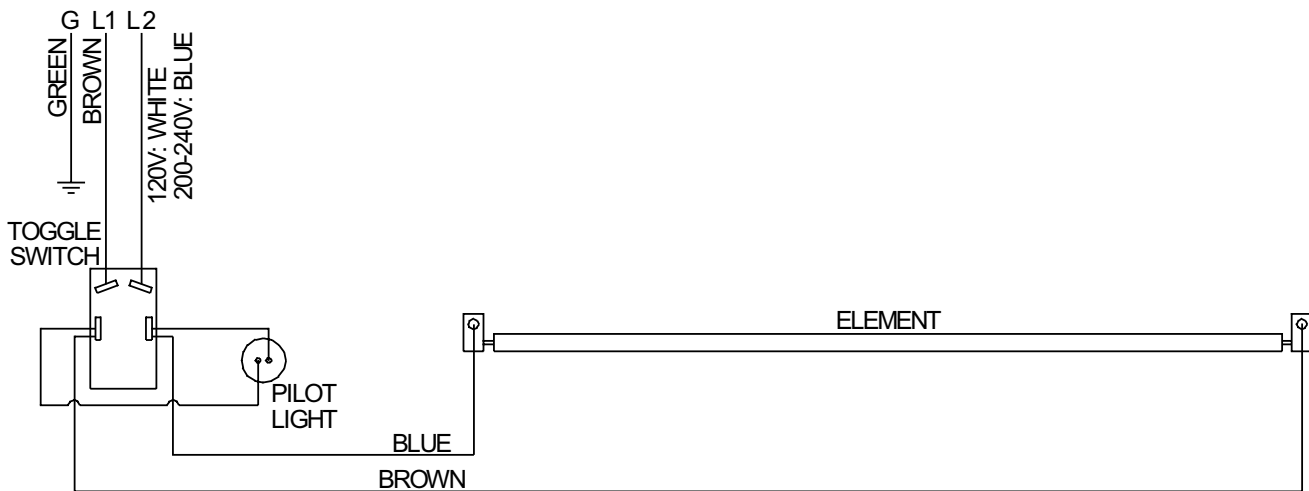
#### REMOTE CONFIGURATION



#### INFINITE CONTROL CONFIGURATION

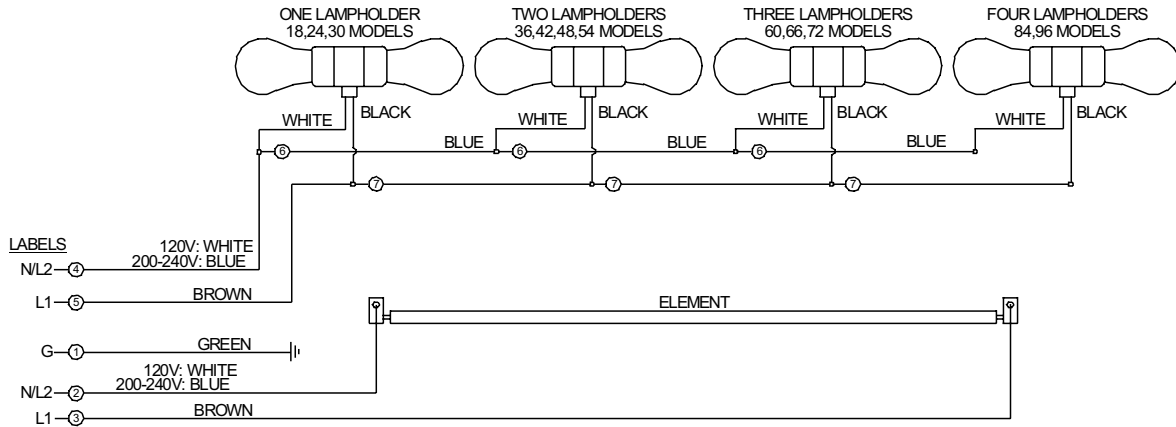


#### TOGGLE SWITCH CONFIGURATION

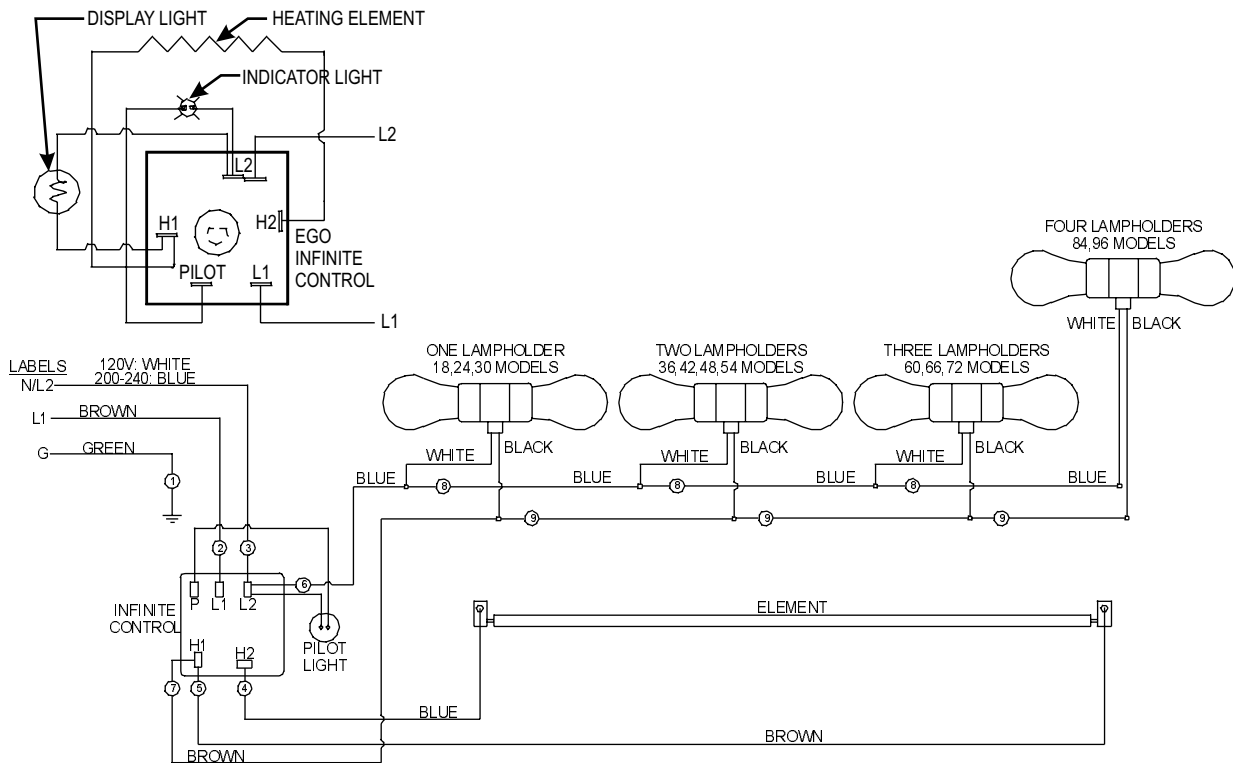


# FDL18-72 WIRING DIAGRAM

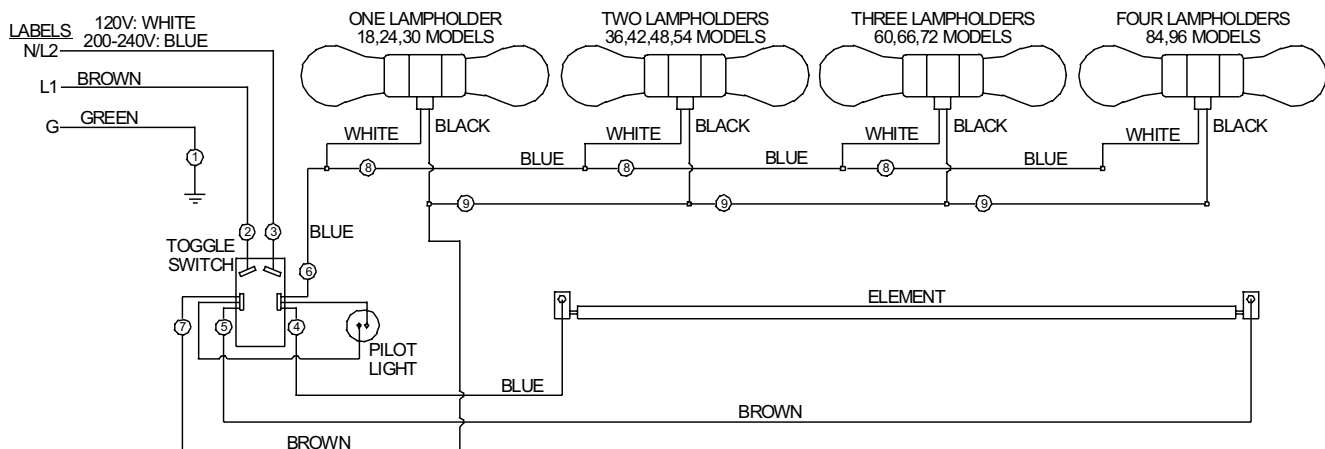
## REMOTE CONFIGURATION



## INFINITE CONTROL CONFIGURATION



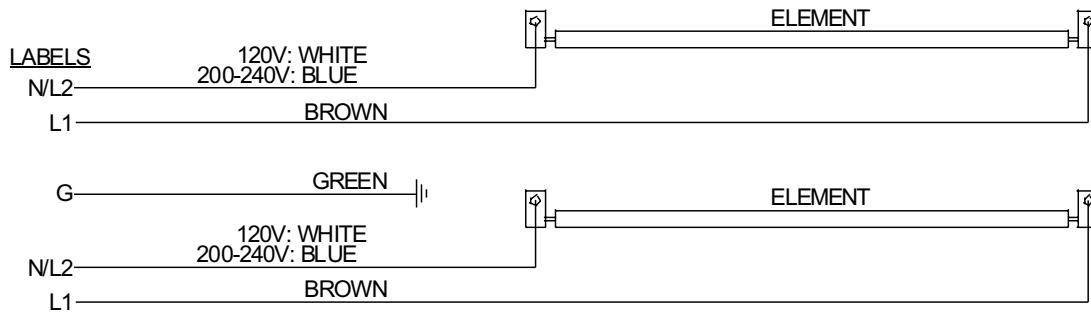
## TOGGLE SWITCH CONFIGURATION



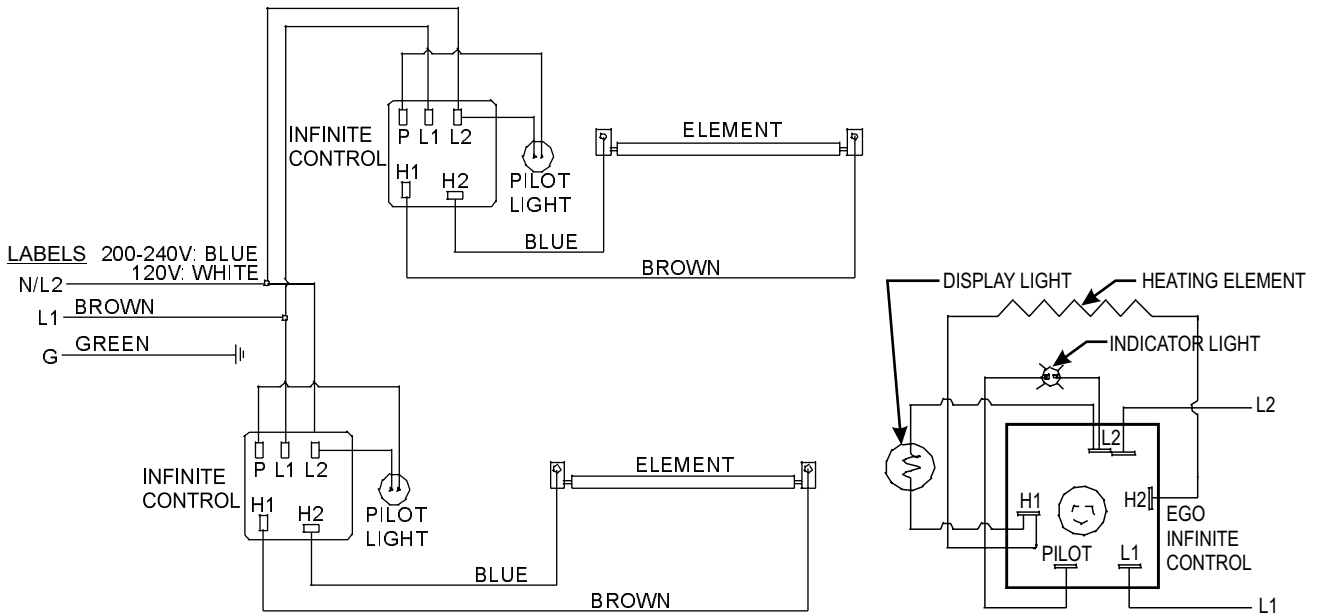


# FDD18-72 WIRING DIAGRAM

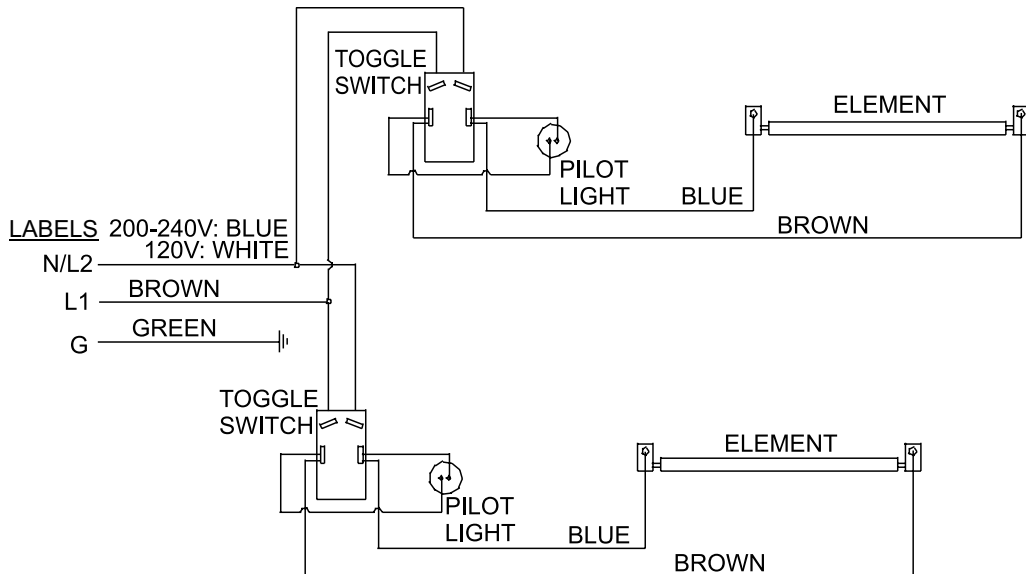
## REMOTE CONFIGURATION



## INFINITE CONTROL CONFIGURATION

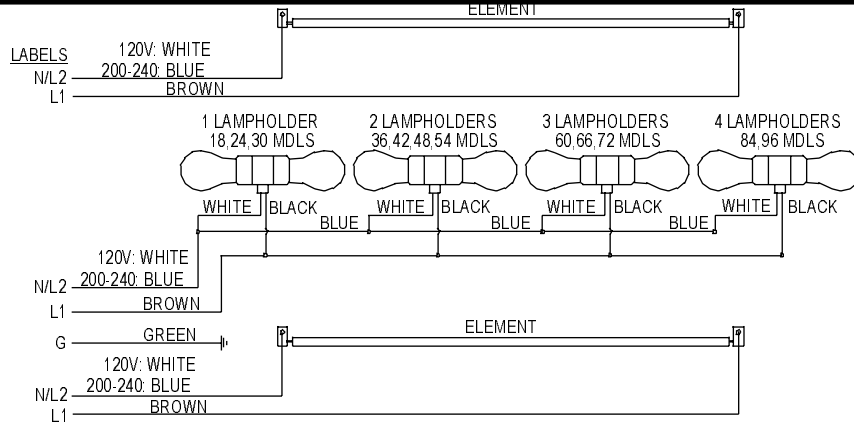


## TOGGLE SWITCH CONFIGURATION

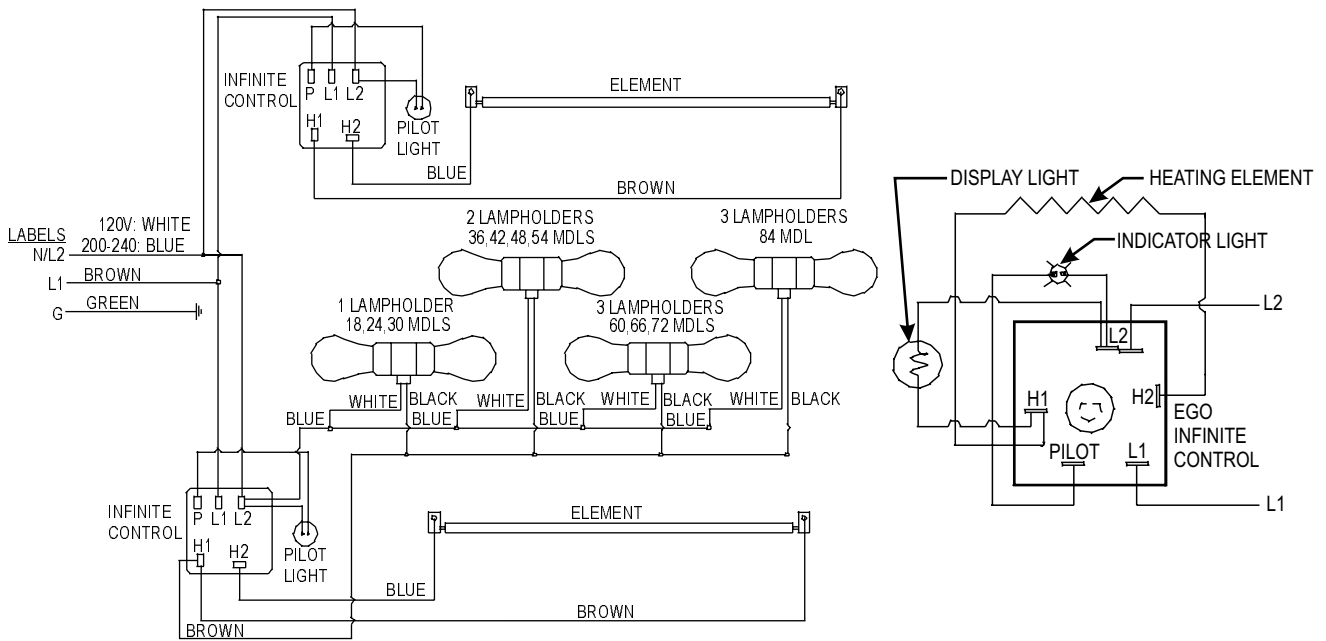


# FDDL18-72 WIRING DIAGRAM

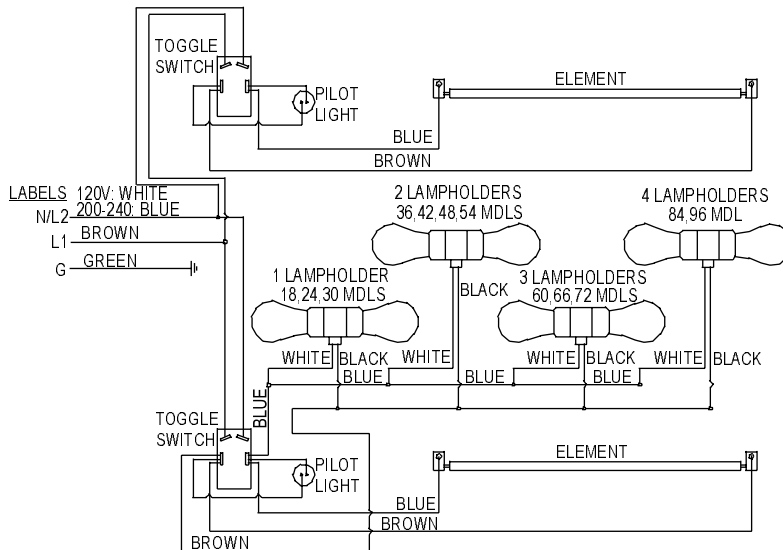
## REMOTE CONFIGURATION



## INFINITE CONTROL CONFIGURATION



## TOGGLE SWITCH CONFIGURATION



## 8. PARTS LISTS

### MODEL "FD" OVERHEAD WARMERS REPLACEMENT PARTS CATALOG

FD Followed by 18, 24, 30, 36, 42, 48, 54, 60, 66, 72, 84, or 96

| MODEL | VOLTS | HIGH WATTAGE | LOW WATTAGE |
|-------|-------|--------------|-------------|
| FD18  | 120   | 400          | 250         |
|       | 208   | 400          | 250         |
|       | 230   | 368          | 294         |
|       | 240   | 400          | 320         |
| FD24  | 120   | 575          | 350         |
|       | 208   | 575          | 350         |
|       | 230   | 529          | 322         |
|       | 240   | 575          | 350         |
| FD30  | 120   | 760          | 450         |
|       | 208   | 760          | 450         |
|       | 230   | 698          | 414         |
|       | 240   | 760          | 450         |
| FD36  | 120   | 920          | 575         |
|       | 208   | 920          | 575         |
|       | 230   | 845          | 529         |
|       | 240   | 920          | 575         |
| FD42  | 120   | 1100         | 675         |
|       | 208   | 1100         | 675         |
|       | 230   | 1011         | 620         |
|       | 240   | 1100         | 675         |
| FD48  | 120   | 1265         | 800         |
|       | 208   | 1265         | 800         |
|       | 230   | 1162         | 735         |
|       | 240   | 1265         | 800         |
| FD54  | 120   | 1425         | 925         |
|       | 208   | 1425         | 925         |
|       | 230   | 1309         | 850         |
|       | 240   | 1425         | 925         |
| FD60  | 120   | 1600         | 1050        |
|       | 208   | 1610         | 1050        |
|       | 230   | 1479         | 965         |
|       | 240   | 1610         | 1050        |
| FD66  | 208   | 1800         | 1160        |
|       | 230   | 1654         | 1066        |
|       | 240   | 1800         | 1160        |
| FD72  | 208   | 1980         | 1275        |
|       | 230   | 1819         | 1171        |
|       | 240   | 1980         | 1275        |
| FD84  | 208   | ---          | 2050        |
|       | 230   | ---          | 1948        |
|       | 240   | ---          | 2050        |
| FD96  | 208   | ---          | 2400        |
|       | 230   | ---          | 2280        |
|       | 240   | ---          | 2400        |

FOR COMPLETE STYLE AND OPTION DESIGNATION:

ADD ONE SUFFIX FROM EACH FOLLOWING CATEGORY AFTER THE MODEL AND LENGTH

**WATTAGE**

H=HIGH WATTAGE  
L=LOW WATTAGE

**VOLTAGE**

1=120V  
2=208V  
3=240V

**SWITCH**

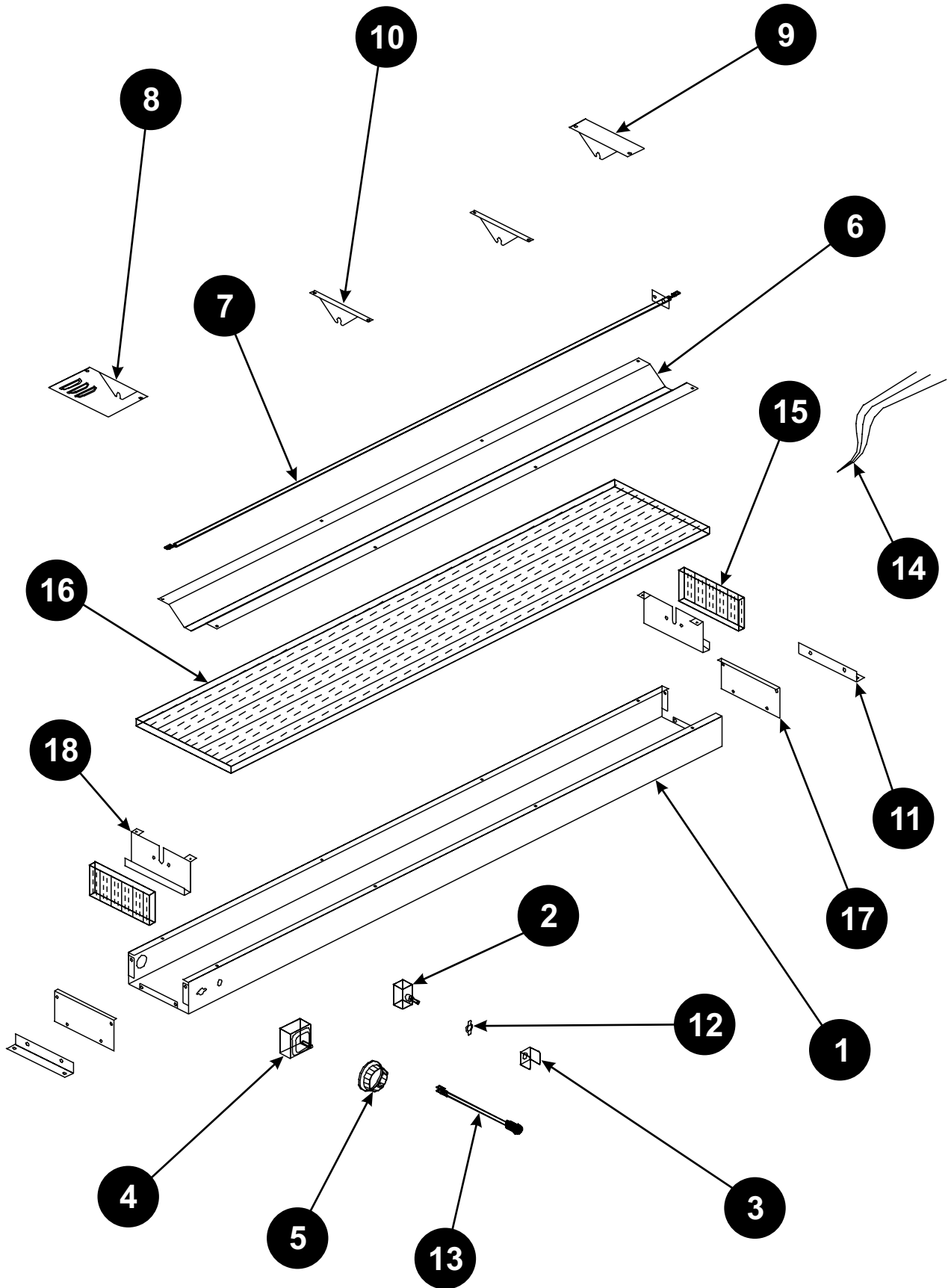
I=INFINITE CONTROL  
T=TOGGLE SWITCH  
R=REMOTE CONTROL/SWITCH

*EXAMPLE:* A WARMER, 48" LONG, HIGH WATTAGE, 208V, WITH INFINITE CONTROL = OH48H2I

## FD18 THRU 96 OVERHEAD WARMERS

| ITEM                   | PART NUMBER             | DESCRIPTION            | ITEM | PART NUMBER | DESCRIPTION                 |
|------------------------|-------------------------|------------------------|------|-------------|-----------------------------|
| 1                      | 76835                   | HOUSING FD18           |      | 75806       | ELEMENT FD48 120V 1265W     |
|                        | 76836                   | HOUSING FD24           |      | 75807       | ELEMENT FD48 208V 1265W     |
|                        | 76837                   | HOUSING FD30           |      | 75808       | ELEMENT FD48 240V 1265W     |
|                        | 76838                   | HOUSING FD36           |      | 75860       | ELEMENT FD48 120V 800W      |
|                        | 76839                   | HOUSING FD42           |      | 75861       | ELEMENT FD48 208V 800W      |
|                        | 76840                   | HOUSING FD48           |      | 75862       | ELEMENT FD48 240V 800W      |
|                        | 76841                   | HOUSING FD54           |      | 75823       | ELEMENT FD54 120V 1425W     |
|                        | 76842                   | HOUSING FD60           |      | 75824       | ELEMENT FD54 208V 1425W     |
|                        | 76843                   | HOUSING FD66           |      | 75825       | ELEMENT FD54 240V 1425W     |
|                        | 76844                   | HOUSING FD72           |      | 75863       | ELEMENT FD54 120V 925W      |
|                        | 77075                   | HOUSING FD84           |      | 75864       | ELEMENT FD54 208V 925W      |
|                        | 77076                   | HOUSING FD96           |      | 75865       | ELEMENT FD54 240V 925W      |
| 2                      | 67005                   | TOGGLE SWITCH          |      | 75817       | ELEMENT FD60 120V 1600W     |
| 3                      | 76100                   | SWITCH GUARD           |      | 75809       | ELEMENT FD60 208V 1610W     |
| 4                      | 55564-EGO               | INFINITE CONTROL 120V  |      | 75810       | ELEMENT FD60 240V 1610W     |
|                        | 87054-EGO               | INFINITE CONTROL 208V  |      | 75866       | ELEMENT FD60 120V 1050W     |
|                        | 87053-EGO               | INFINITE CONTROL 240V  |      | 75867       | ELEMENT FD60 208V 1050W     |
| 5                      | 55825                   | KNOB                   |      | 75868       | ELEMENT FD60 240V 1050W     |
| 6                      | 76805                   | REFLECTOR FD18         |      | 75826       | ELEMENT FD66 208V 1800W     |
|                        | 76806                   | REFLECTOR FD24         |      | 75827       | ELEMENT FD66 240V 1800W     |
|                        | 76807                   | REFLECTOR FD30         |      | 75869       | ELEMENT FD66 208V 1160W     |
|                        | 76808                   | REFLECTOR FD36         |      | 75870       | ELEMENT FD66 240V 1160W     |
|                        | 76809                   | REFLECTOR FD42         |      | 75811       | ELEMENT FD72 208V 1980W     |
|                        | 76810                   | REFLECTOR FD48         |      | 75812       | ELEMENT FD72 240V 1980W     |
|                        | 76811                   | REFLECTOR FD54         |      | 75871       | ELEMENT FD72 208V 1275W     |
|                        | 76812                   | REFLECTOR FD60         |      | 75872       | ELEMENT FD72 240V 1275W     |
|                        | 76813                   | REFLECTOR FD66         |      | 75879       | ELEMENT FD84 208V 2050W     |
|                        | 76814                   | REFLECTOR FD72         |      | 75880       | ELEMENT FD84 240V 2050W     |
|                        | 77060                   | REFLECTOR FD84         |      | 75881       | ELEMENT FD96 208V 2400W     |
|                        | 77061                   | REFLECTOR FD96         |      | 75882       | ELEMENT FD96 240V 2400W     |
| 7                      | 75801                   | ELEMENT FD18 120V 400W | 8    | 76801       | COVER LARGE RH              |
|                        | 75833                   | ELEMENT FD18 208V 400W | 9    | 76802       | COVER SMALL                 |
|                        | 75830                   | ELEMENT FD18 240V 400W | 10   | 76106       | ELEMENT GUARD               |
|                        | 75851                   | ELEMENT FD18 120V 250W | 11   | 76955       | MOUNTING BRACKET            |
|                        | 75873                   | ELEMENT FD18 208V 250W | 12   | 67003       | ON-OFF PLATE                |
|                        | 75874                   | ELEMENT FD18 240V 320W | 13   | 56530       | PILOT LIGHT                 |
|                        | 75461                   | ELEMENT FD24 120V 575W | 14   |             | WIRE SET: SPECIFY MODEL NO. |
|                        | 75813                   | ELEMENT FD24 208V 575W | 15   | 76189       | INSULATION FD18 THRU FD72   |
|                        | 75814                   | ELEMENT FD24 240V 575W | 16   | 76190       | INSULATION FD18             |
|                        | 75852                   | ELEMENT FD24 120V 350W |      | 76191       | INSULATION FD24             |
|                        | 75875                   | ELEMENT FD24 208V 350W |      | 76192       | INSULATION FD30             |
|                        | 75876                   | ELEMENT FD24 240V 350W |      | 76193       | INSULATION FD36             |
|                        | 75802                   | ELEMENT FD30 120V 760W |      | 76194       | INSULATION FD42             |
|                        | 75820                   | ELEMENT FD30 208V 760W |      | 76195       | INSULATION FD48             |
|                        | 75831                   | ELEMENT FD30 240V 760W |      | 76196       | INSULATION FD54             |
|                        | 75853                   | ELEMENT FD30 120V 450W |      | 76197       | INSULATION FD60             |
|                        | 75877                   | ELEMENT FD30 208V 450W |      | 76198       | INSULATION FD66             |
|                        | 75878                   | ELEMENT FD30 240V 450W |      | 76199       | INSULATION FD72             |
|                        | 75803                   | ELEMENT FD36 120V 920W | 17   | 76803       | END PLATE                   |
|                        | 75804                   | ELEMENT FD36 208V 920W | 18   | 76804       | ELEMENT SUPPORT             |
| 75805                  | ELEMENT FD36 240V 920W  |                        |      |             |                             |
| 75854                  | ELEMENT FD36 120V 575W  |                        |      |             |                             |
| 75855                  | ELEMENT FD36 208V 575W  |                        |      |             |                             |
| 75856                  | ELEMENT FD36 240V 575W  |                        |      |             |                             |
| 75819                  | ELEMENT FD42 120V 1100W |                        |      |             |                             |
| 75821                  | ELEMENT FD42 208V 1100W |                        |      |             |                             |
| 75822                  | ELEMENT FD42 240V 1100W |                        |      |             |                             |
| 75857                  | ELEMENT FD42 120V 675W  |                        |      |             |                             |
| 75858                  | ELEMENT FD42 208V 675W  |                        |      |             |                             |
| 75859                  | ELEMENT FD42 240V 675W  |                        |      |             |                             |
| <b>PARTS NOT SHOWN</b> |                         |                        |      |             |                             |
|                        |                         |                        |      | 58004       | SELF RETAINING FASTENER     |
|                        |                         |                        |      | 89087       | 8-32 X 3/16 MACHINE SCREW   |
|                        |                         |                        |      | 88993       | 10-32 X 3/8 NYLOCK MACHINE  |
|                        |                         |                        |      | 88909       | 8-18 X 3/8 SHEET METAL (AB) |
|                        |                         |                        |      | 89059       | #10 EXTERNAL LOCKWASHER     |
|                        |                         |                        |      | 88961       | 10-24 HEX NUT GREEN-GROUND  |

# FD-18 Thru FD-96 EXPLODED VIEW



**MODEL "FDL" LIGHTED OVERHEAD WARMERS REPLACEMENT PARTS CATALOG**  
**FDL Followed by 18, 24, 30, 36, 42, 48, 54, 60, 66, 72, 84, or 96**

| <b>MODEL</b> | <b>VOLTS</b> | <b>HIGH WATTAGE</b> | <b>LOW WATTAGE</b> |
|--------------|--------------|---------------------|--------------------|
| FDL18        | 120          | 480                 | 330                |
|              | 208          | 462                 | 312                |
|              | 230          | 441                 | 368                |
|              | 240          | 480                 | 400                |
| FDL24        | 120          | 655                 | 430                |
|              | 208          | 637                 | 412                |
|              | 230          | 602                 | 395                |
|              | 240          | 655                 | 430                |
| FDL30        | 120          | 840                 | 530                |
|              | 208          | 822                 | 512                |
|              | 230          | 772                 | 487                |
|              | 240          | 840                 | 530                |
| FDL36        | 120          | 1080                | 735                |
|              | 208          | 1044                | 699                |
|              | 230          | 992                 | 676                |
|              | 240          | 1080                | 735                |
| FDL42        | 120          | 1260                | 835                |
|              | 208          | 1224                | 799                |
|              | 230          | 1158                | 767                |
|              | 240          | 1260                | 835                |
| FDL48        | 120          | 1425                | 960                |
|              | 208          | 1389                | 924                |
|              | 230          | 1309                | 882                |
|              | 240          | 1425                | 960                |
| FDL54        | 120          | 1585                | 1085               |
|              | 208          | 1549                | 1049               |
|              | 230          | 1456                | 997                |
|              | 240          | 1585                | 1085               |
| FDL60        | 120          | 1840                | 1290               |
|              | 208          | 1796                | 1236               |
|              | 230          | 1700                | 1185               |
|              | 240          | 1850                | 1290               |
| FDL66        | 208          | 1986                | 1346               |
|              | 230          | 1874                | 1286               |
|              | 240          | 2040                | 1400               |
| FDL72        | 208          | 2166                | 1461               |
|              | 230          | 2039                | 1392               |
|              | 240          | 2220                | 1515               |
| FDL84        | 208          | ---                 | 2298               |
|              | 230          | ---                 | 2177               |
|              | 240          | ---                 | 2370               |
| FDL96        | 208          | ---                 | 2640               |
|              | 230          | ---                 | 2498               |
|              | 240          | ---                 | 2720               |

FOR COMPLETE STYLE AND OPTION DESIGNATION:  
ADD ONE SUFFIX FROM EACH FOLLOWING CATEGORY AFTER THE MODEL AND LENGTH

**WATTAGE**  
H=HIGH WATTAGE  
L=LOW WATTAGE

**VOLTAGE**  
1=120V  
2=208V  
3=240V

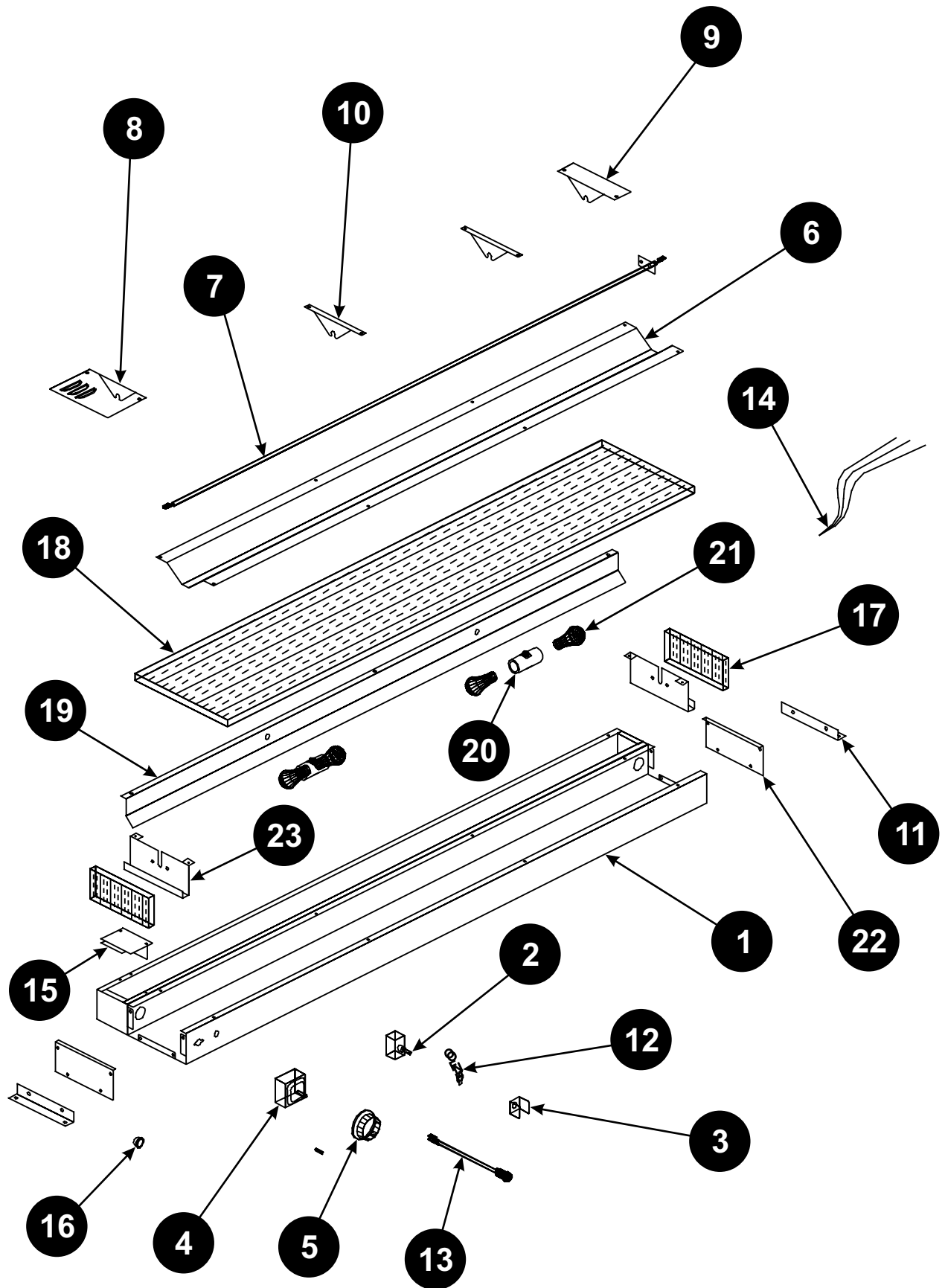
**SWITCH**  
I=INFINITE CONTROL  
T=TOGGLE SWITCH  
R=REMOTE CONTROL/SWITCH

*EXAMPLE:*  
A LIGHTED WARMER, 48" LONG, HIGH WATTAGE, 208V, WITH INFINITE CONTROL = OHL48H2I

## FDL18 THRU 96 LIGHTED OVERHEAD WARMERS

| ITEM  | PART NUMBER             | DESCRIPTION             | ITEM  | PART NUMBER                 | DESCRIPTION                 |             |
|-------|-------------------------|-------------------------|-------|-----------------------------|-----------------------------|-------------|
| 1     | 76845                   | HOUSING FDL18           |       | 75824                       | ELEMENT FD54 208V 1425W     |             |
|       | 76846                   | HOUSING FDL24           |       | 75825                       | ELEMENT FD54 240V 1425W     |             |
|       | 76847                   | HOUSING FDL30           |       | 75863                       | ELEMENT FD54 120V 925W      |             |
|       | 76848                   | HOUSING FDL36           |       | 75864                       | ELEMENT FD54 208V 925W      |             |
|       | 76849                   | HOUSING FDL42           |       | 75865                       | ELEMENT FD54 240V 925W      |             |
|       | 76850                   | HOUSING FDL48           |       | 75817                       | ELEMENT FD60 120V 1600W     |             |
|       | 76851                   | HOUSING FDL54           |       | 75809                       | ELEMENT FD60 208V 1610W     |             |
|       | 76852                   | HOUSING FDL60           |       | 75810                       | ELEMENT FD60 240V 1610W     |             |
|       | 76853                   | HOUSING FDL66           |       | 75866                       | ELEMENT FD60 120V 1050W     |             |
|       | 76854                   | HOUSING FDL72           |       | 75867                       | ELEMENT FD60 208V 1050W     |             |
|       | 77080                   | HOUSING FDL84           |       | 75868                       | ELEMENT FD60 240V 1050W     |             |
|       | 77081                   | HOUSING FDL96           |       | 75826                       | ELEMENT FD66 208V 1800W     |             |
| 2     | 67004                   | TOGGLE SWITCH           |       | 75827                       | ELEMENT FD66 240V 1800W     |             |
| 3     | 76100                   | SWITCH GUARD            |       | 75869                       | ELEMENT FD66 208V 1160W     |             |
| 4     | 55564-EGO               | INFINITE CONTROL 120V   |       | 75870                       | ELEMENT FD66 240V 1160W     |             |
|       | 87054-EGO               | INFINITE CONTROL 208V   |       | 75811                       | ELEMENT FD72 208V 1980W     |             |
|       | 87053-EGO               | INFINITE CONTROL 240V   |       | 75812                       | ELEMENT FD72 240V 1980W     |             |
| 5     | 55825                   | KNOB                    |       | 75871                       | ELEMENT FD72 208V 1275W     |             |
| 6     | 76805                   | REFLECTOR FD18          |       | 75872                       | ELEMENT FD72 240V 1275W     |             |
|       | 76806                   | REFLECTOR FD24          |       | 75879                       | ELEMENT FD84 208V 2050W     |             |
|       | 76807                   | REFLECTOR FD30          |       | 75880                       | ELEMENT FD84 240V 2050W     |             |
|       | 76808                   | REFLECTOR FD36          |       | 75881                       | ELEMENT FD96 208V 2400W     |             |
|       | 76809                   | REFLECTOR FD42          |       | 75882                       | ELEMENT FD96 240V 2400W     |             |
|       | 76810                   | REFLECTOR FD48          |       | 8                           | 76801                       | COVER LARGE |
|       | 76811                   | REFLECTOR FD54          | 9     | 76802                       | COVER SMALL                 |             |
|       | 76812                   | REFLECTOR FD60          | 10    | 76106                       | ELEMENT GUARD               |             |
|       | 76813                   | REFLECTOR FD66          | 11    | 76955                       | MOUNTING BRACKET            |             |
|       | 76814                   | REFLECTOR FD72          | 12    | 67003                       | ON-OFF PLATE                |             |
|       | 77060                   | REFLECTOR FD84          | 13    | 56530                       | PILOT LIGHT                 |             |
|       | 77061                   | REFLECTOR FD96          | 14    |                             | WIRE SET: SPECIFY MODEL NO. |             |
| 7     | 75801                   | ELEMENT FD18 120V 400W  | 15    | 76159                       | END COVER RH DL             |             |
|       | 75833                   | ELEMENT FD18 208V 400W  | 16    | 89182                       | SNAP-IN BUSHING             |             |
|       | 75830                   | ELEMENT FD18 240V 400W  | 17    | 76189                       | INSULATION FD18 THRU FD72   |             |
|       | 75851                   | ELEMENT FD18 120V 250W  | 18    | 76190                       | INSULATION FD18             |             |
|       | 75873                   | ELEMENT FD18 208V 250W  |       | 76191                       | INSULATION FD24             |             |
|       | 75874                   | ELEMENT FD18 240V 320W  |       | 76192                       | INSULATION FD30             |             |
|       | 75461                   | ELEMENT FD24 120V 575W  |       | 76193                       | INSULATION FD36             |             |
|       | 75813                   | ELEMENT FD24 208V 575W  |       | 76194                       | INSULATION FD42             |             |
|       | 75814                   | ELEMENT FD24 240V 575W  |       | 76195                       | INSULATION FD48             |             |
|       | 75852                   | ELEMENT FD24 120V 350W  |       | 76196                       | INSULATION FD54             |             |
|       | 75875                   | ELEMENT FD24 208V 350W  |       | 76197                       | INSULATION FD60             |             |
|       | 75876                   | ELEMENT FD24 240V 350W  |       | 76198                       | INSULATION FD66             |             |
|       | 75802                   | ELEMENT FD30 120V 760W  |       | 76199                       | INSULATION FD72             |             |
|       | 75820                   | ELEMENT FD30 208V 760W  | 19    | 76211                       | LIGHT SUPPORT DL18          |             |
|       | 75831                   | ELEMENT FD30 240V 760W  |       | 76212                       | LIGHT SUPPORT DL24          |             |
|       | 75853                   | ELEMENT FD30 120V 450W  |       | 76213                       | LIGHT SUPPORT DL30          |             |
|       | 75877                   | ELEMENT FD30 208V 450W  |       | 76214                       | LIGHT SUPPORT DL36          |             |
|       | 75878                   | ELEMENT FD30 240V 450W  |       | 76215                       | LIGHT SUPPORT DL42          |             |
|       | 75803                   | ELEMENT FD36 120V 920W  |       | 76216                       | LIGHT SUPPORT DL48          |             |
|       | 75804                   | ELEMENT FD36 208V 920W  |       | 76217                       | LIGHT SUPPORT DL54          |             |
|       | 75805                   | ELEMENT FD36 240V 920W  |       | 76218                       | LIGHT SUPPORT DL60          |             |
|       | 75854                   | ELEMENT FD36 120V 575W  |       | 76219                       | LIGHT SUPPORT DL66          |             |
|       | 75855                   | ELEMENT FD36 208V 575W  |       | 76220                       | LIGHT SUPPORT DL72          |             |
|       | 75856                   | ELEMENT FD36 240V 575W  |       | 77015                       | LIGHT SUPPORT DL84          |             |
|       | 75819                   | ELEMENT FD42 120V 1100W |       | 77016                       | LIGHT SUPPORT DL96          |             |
|       | 75821                   | ELEMENT FD42 208V 1100W | 20    | 75917                       | TWIN LAMPHOLDER             |             |
|       | 75822                   | ELEMENT FD42 240V 1100W | 21    | 75916                       | COATED LIGHT BULB 120V 40W  |             |
|       | 75857                   | ELEMENT FD42 120V 675W  |       | 76874                       | COATED LIGHT BULB 240V 40W  |             |
|       | 75858                   | ELEMENT FD42 208V 675W  | 22    | 76803                       | END PLATE                   |             |
|       | 75859                   | ELEMENT FD42 240V 675W  | 23    | 76804                       | ELEMENT SUPPORT             |             |
| 75806 | ELEMENT FD48 120V 1265W |                         |       | <b>PARTS NOT SHOWN</b>      |                             |             |
| 75807 | ELEMENT FD48 208V 1265W |                         | 58004 | SELF RETAINING FASTENER     |                             |             |
| 75808 | ELEMENT FD48 240V 1265W |                         | 89087 | 8-32 X 3/16 MACHINE SCREW   |                             |             |
| 75860 | ELEMENT FD48 120V 800W  |                         | 88993 | 10-32 X 3/8 NYLOCK MACHINE  |                             |             |
| 75861 | ELEMENT FD48 208V 800W  |                         | 88909 | 8-18 X 3/8 SHEET METAL (AB) |                             |             |
| 75862 | ELEMENT FD48 240V 800W  |                         | 89059 | #10 EXTERNAL LOCKWASHER     |                             |             |
| 75823 | ELEMENT FD54 120V 1425W |                         | 88961 | 10-24 HEX NUT GREEN-GROUND  |                             |             |

# FDL-18 Thru FDL-96 EXPLODED VIEW





**MODEL "FDD" or "FDDL" DUAL OVERHEAD WARMERS REPLACEMENT PARTS CATALOG**  
**FDD or FDDL Followed by 18, 24, 30, 36, 42, 48, 54, 60, 66, 72, 84, or 96**

|        | HIGH WATTAGE UNITS |             | LOW WATTAGE UNITS |             |
|--------|--------------------|-------------|-------------------|-------------|
| LENGTH | FDD SERIES         | FDDL SERIES | FDD SERIES        | FDDL SERIES |
| 18     | 120V 800W          | 120V 880W   | 120V 500W         | 120V 580W   |
| 18     | 208V 800W          | 208V 862W   | 208V 500W         | 208V 562W   |
| 18     | 230V 735W          | 230V 809W   | 230V 588W         | 230V 662W   |
| 18     | 240V 800W          | 240V 880W   | 240V 640W         | 240V 720W   |
| 24     | 120V 1150W         | 120V 1230W  | 120V 700W         | 120V 780W   |
| 24     | 208V 1150W         | 208V 1212W  | 208V 700W         | 208V 762W   |
| 24     | 230V 1057W         | 230V 1130W  | 230V 643W         | 230V 717W   |
| 24     | 240V 1150W         | 240V 1230W  | 240V 700W         | 240V 780W   |
| 30     | 120V 1520W         | 120V 1600W  | 120V 900W         | 120V 980W   |
| 30     | 208V 1520W         | 208V 1582W  | 208V 900W         | 208V 962W   |
| 30     | 230V 1396W         | 230V 1470W  | 230V 827W         | 230V 901W   |
| 30     | 240V 1520W         | 240V 1600W  | 240V 900W         | 240V 980W   |
| 36     | 120V 1840W         | 120V 2000W  | 120V 1150W        | 120V 1310W  |
| 36     | 208V 1840W         | 208V 1964W  | 208V 1150W        | 208V 1274W  |
| 36     | 230V 1690W         | 230V 1837W  | 230V 1057W        | 230V 1204W  |
| 36     | 240V 1840W         | 240V 2000W  | 240V 1150W        | 240V 1310W  |
| 42     | 120V 2200W         | 120V 2360W  | 120V 1350W        | 120V 1510W  |
| 42     | 208V 2200W         | 208V 2324W  | 208V 1350W        | 208V 1474W  |
| 42     | 230V 2021W         | 230V 2168W  | 230V 1240W        | 230V 1387W  |
| 42     | 240V 2200W         | 240V 2360W  | 240V 1350W        | 240V 1510W  |
| 48     | 120V 2530W         | 120V 2690W  | 120V 1600W        | 120V 1760W  |
| 48     | 208V 2530W         | 208V 2654W  | 208V 1600W        | 208V 1724W  |
| 48     | 230V 2324W         | 230V 2471W  | 230V 1470W        | 230V 1617W  |
| 48     | 240V 2530W         | 240V 2690W  | 240V 1600W        | 240V 1760W  |
| 54     | 120V 2850W         | 120V 3010W  | 120V 1850W        | 120V 2010W  |
| 54     | 208V 2850W         | 208V 2974W  | 208V 1850W        | 208V 1974W  |
| 54     | 230V 2618W         | 230V 2765W  | 230V 1700W        | 230V 1846W  |
| 54     | 240V 2850W         | 240V 3010W  | 240V 1850W        | 240V 2010W  |
| 60     | 120V 3200W         | 120V 3440W  | 120V 2100W        | 120V 2340W  |
| 60     | 208V 3220W         | 208V 3406W  | 208V 2100W        | 208V 2286W  |
| 60     | 230V 2958W         | 230V 3178W  | 230V 1929W        | 230V 2150W  |
| 60     | 240V 3220W         | 240V 3460W  | 240V 2100W        | 240V 2340W  |
| 66     | 208V 3600W         | 208V 3786W  | 208V 2320W        | 208V 2506W  |
| 66     | 230V 3307W         | 230V 3527W  | 230V 2131W        | 230V 2352W  |
| 66     | 240V 3600W         | 240V 3840W  | 240V 2320W        | 240V 2560W  |
| 72     | 208V 3960W         | 208V 4146W  | 208V 2550W        | 208V 2736W  |
| 72     | 230V 3637W         | 230V 3858W  | 230V 2342W        | 230V 2563W  |
| 72     | 240V 3960W         | 240V 4200W  | 240V 2550W        | 240V 2790W  |
| 84     | ---                | ---         | 208V 4100W        | 208V 4348W  |
| 84     | ---                | ---         | 230V 3765W        | 230V 4059W  |
| 84     | ---                | ---         | 240V 4100W        | 240V 4420W  |
| 96     | ---                | ---         | 208V 4800W        | 208V 5040W  |
| 96     | ---                | ---         | 230V 4408W        | 230V 4702W  |
| 96     | ---                | ---         | 240V 4800W        | 240V 5120W  |

FOR COMPLETE STYLE AND OPTION DESIGNATION:

ADD ONE SUFFIX FROM EACH FOLLOWING CATEGORY AFTER THE MODEL AND LENGTH

**WATTAGE**

H=HIGH WATTAGE  
L=LOW WATTAGE

**VOLTAGE**

1=120V  
2=208V  
3=240V

**SWITCH**

I=INFINITE CONTROL  
T=TOGGLE SWITCH  
R=REMOTE CONTROL/SWITCH

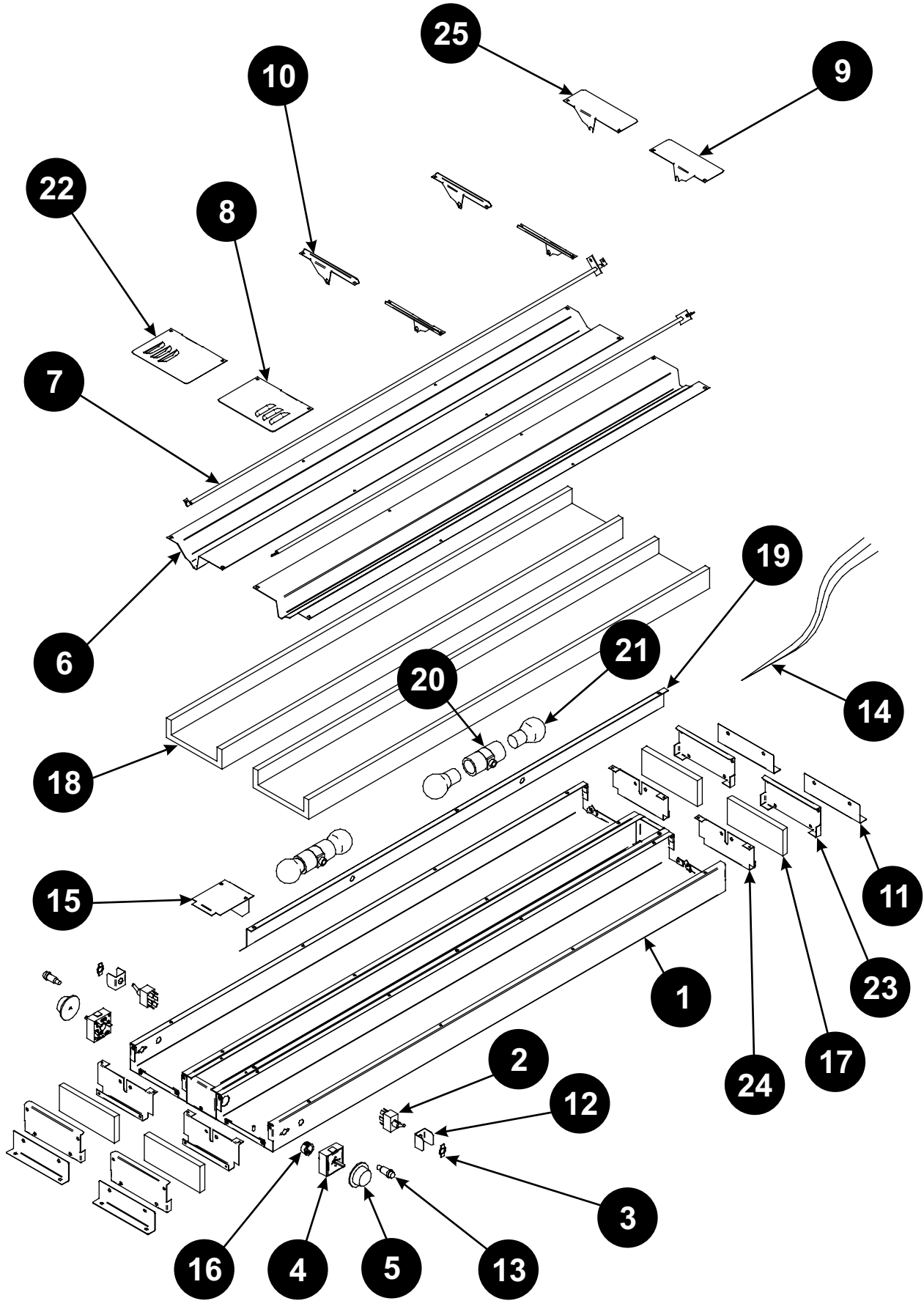
*EXAMPLE:*

A LIGHTED DUAL WARMER, 48" LONG, HIGH WATTAGE, 208V, WITH TOGGLE SWITCH = OHDL46H2T

## FDD or FDDL18 THRU 96 DUAL OVERHEAD WARMERS

| ITEM | PART NUMBER | DESCRIPTION             | ITEM | PART NUMBER | DESCRIPTION                 |
|------|-------------|-------------------------|------|-------------|-----------------------------|
| 1    | 76855       | HOUSING FDD/FDDL18      |      | 75863       | ELEMENT FD54 120V 925W      |
|      | 76856       | HOUSING FDD/FDDL24      |      | 75864       | ELEMENT FD54 208V 925W      |
|      | 76857       | HOUSING FDD/FDDL30      |      | 75865       | ELEMENT FD54 240V 925W      |
|      | 76858       | HOUSING FDD/FDDL36      |      | 75817       | ELEMENT FD60 120V 1600W     |
|      | 76859       | HOUSING FDD/FDDL42      |      | 75809       | ELEMENT FD60 208V 1610W     |
|      | 76860       | HOUSING FDD/FDDL48      |      | 75810       | ELEMENT FD60 240V 1610W     |
|      | 76861       | HOUSING FDD/FDDL54      |      | 75866       | ELEMENT FD60 120V 1050W     |
|      | 76862       | HOUSING FDD/FDDL60      |      | 75867       | ELEMENT FD60 208V 1050W     |
|      | 76863       | HOUSING FDD/FDDL66      |      | 75868       | ELEMENT FD60 240V 1050W     |
|      | 76864       | HOUSING FDD/FDDL72      |      | 75826       | ELEMENT FD66 208V 1800W     |
|      | 77085       | HOUSING FDD/FDDL84      |      | 75827       | ELEMENT FD66 240V 1800W     |
|      | 77086       | HOUSING FDD/FDDL96      |      | 75869       | ELEMENT FD66 208V 1160W     |
| 2    | 67004       | TOGGLE SWITCH           |      | 75870       | ELEMENT FD66 240V 1160W     |
| 3    | 76100       | SWITCH GUARD            |      | 75811       | ELEMENT FD72 208V 1980W     |
| 4    | 55564-EGO   | INFINITE CONTROL 120V   |      | 75812       | ELEMENT FD72 240V 1980W     |
|      | 87054-EGO   | INFINITE CONTROL 208V   |      | 75871       | ELEMENT FD72 208V 1275W     |
|      | 87053-EGO   | INFINITE CONTROL 240V   |      | 75872       | ELEMENT FD72 240V 1275W     |
| 5    | 55825       | KNOB                    |      | 75879       | ELEMENT FD84 208V 2050W     |
| 6    | 76985       | REFLECTOR FD18 DIRECTED |      | 75880       | ELEMENT FD84 240V 2050W     |
|      | 76986       | REFLECTOR FD24 DIRECTED |      | 75881       | ELEMENT FD96 208V 2400W     |
|      | 76987       | REFLECTOR FD30 DIRECTED |      | 75882       | ELEMENT FD96 240V 2400W     |
|      | 76988       | REFLECTOR FD36 DIRECTED | 8    | 77151       | COVER LARGE RH              |
|      | 76989       | REFLECTOR FD42 DIRECTED | 9    | 77155       | COVER SMALL RH              |
|      | 76990       | REFLECTOR FD48 DIRECTED | 10   | 77157       | ELEMENT GUARD               |
|      | 76991       | REFLECTOR FD54 DIRECTED | 11   | 76955       | MOUNTING BRACKET            |
|      | 76992       | REFLECTOR FD60 DIRECTED | 12   | 67003       | ON-OFF PLATE                |
|      | 76993       | REFLECTOR FD66 DIRECTED | 13   | 56530       | PILOT LIGHT                 |
|      | 76994       | REFLECTOR FD72 DIRECTED | 14   |             | WIRE SET: SPECIFY MODEL NO. |
|      | 76995       | REFLECTOR FD84 DIRECTED | 15   | 76159       | END COVER RH DL             |
|      | 76996       | REFLECTOR FD96 DIRECTED | 16   | 89182       | SNAP-IN BUSHING             |
| 7    | 75801       | ELEMENT FD18 120V 400W  | 17   | 76189       | INSULATION FD18 THRU FD72   |
|      | 75833       | ELEMENT FD18 208V 400W  | 18   | 76190       | INSULATION FD18             |
|      | 75830       | ELEMENT FD18 240V 400W  |      | 76191       | INSULATION FD24             |
|      | 75851       | ELEMENT FD18 120V 250W  |      | 76192       | INSULATION FD30             |
|      | 75873       | ELEMENT FD18 208V 250W  |      | 76193       | INSULATION FD36             |
|      | 75874       | ELEMENT FD18 240V 320W  |      | 76194       | INSULATION FD42             |
|      | 75461       | ELEMENT FD24 120V 575W  |      | 76195       | INSULATION FD48             |
|      | 75813       | ELEMENT FD24 208V 575W  |      | 76196       | INSULATION FD54             |
|      | 75814       | ELEMENT FD24 240V 575W  |      | 76197       | INSULATION FD60             |
|      | 75852       | ELEMENT FD24 120V 350W  |      | 76198       | INSULATION FD66             |
|      | 75875       | ELEMENT FD24 208V 350W  |      | 76199       | INSULATION FD72             |
|      | 75876       | ELEMENT FD24 240V 350W  | 19   | 76211       | LIGHT SUPPORT DL18          |
|      | 75802       | ELEMENT FD30 120V 760W  |      | 76212       | LIGHT SUPPORT DL24          |
|      | 75820       | ELEMENT FD30 208V 760W  |      | 76213       | LIGHT SUPPORT DL30          |
|      | 75831       | ELEMENT FD30 240V 760W  |      | 76214       | LIGHT SUPPORT DL36          |
|      | 75853       | ELEMENT FD30 120V 450W  |      | 76215       | LIGHT SUPPORT DL42          |
|      | 75877       | ELEMENT FD30 208V 450W  |      | 76216       | LIGHT SUPPORT DL48          |
|      | 75878       | ELEMENT FD30 240V 450W  |      | 76217       | LIGHT SUPPORT DL54          |
|      | 75803       | ELEMENT FD36 120V 920W  |      | 76218       | LIGHT SUPPORT DL60          |
|      | 75804       | ELEMENT FD36 208V 920W  |      | 76219       | LIGHT SUPPORT DL66          |
|      | 75805       | ELEMENT FD36 240V 920W  |      | 76220       | LIGHT SUPPORT DL72          |
|      | 75854       | ELEMENT FD36 120V 575W  |      | 77015       | LIGHT SUPPORT DL84          |
|      | 75855       | ELEMENT FD36 208V 575W  |      | 77016       | LIGHT SUPPORT DL96          |
|      | 75856       | ELEMENT FD36 240V 575W  | 20   | 75917       | TWIN LAMPHOLDER             |
|      | 75819       | ELEMENT FD42 120V 1100W | 21   | 75916       | COATED LIGHT BULB 120V 40W  |
|      | 75821       | ELEMENT FD42 208V 1100W |      | 76874       | COATED LIGHT BULB 240V 40W  |
|      | 75822       | ELEMENT FD42 240V 1100W | 22   | 77152       | COVER LARGE LH              |
|      | 75857       | ELEMENT FD42 120V 675W  | 23   | 76803       | END PLATE                   |
|      | 75858       | ELEMENT FD42 208V 675W  | 24   | 77158       | ELEMENT SUPPORT             |
|      | 75859       | ELEMENT FD42 240V 675W  | 25   | 77156       | COVER SMALL LH              |
|      | 75806       | ELEMENT FD48 120V 1265W |      |             | <b>PARTS NOT SHOWN</b>      |
|      | 75807       | ELEMENT FD48 208V 1265W |      | 58004       | SELF RETAINING FASTENER     |
|      | 75808       | ELEMENT FD48 240V 1265W |      | 89087       | 8-32 X 3/16 MACHINE SCREW   |
|      | 75860       | ELEMENT FD48 120V 800W  |      | 88993       | 10-32 X 3/8 NYLOCK MACHINE  |
|      | 75861       | ELEMENT FD48 208V 800W  |      | 88909       | 8-18 X 3/8 SHEET METAL (AB) |
|      | 75862       | ELEMENT FD48 240V 800W  |      | 89059       | #10 EXTERNAL LOCKWASHER     |
|      | 75823       | ELEMENT FD54 120V 1425W |      | 88961       | 10-24 HEX NUT GREEN-GROUND  |
|      | 75824       | ELEMENT FD54 208V 1425W |      | 46877       | 1/8-27 X 3/4 NIPPLE         |
|      | 75825       | ELEMENT FD54 240V 1425W |      | 46876       | 1/8-27 NUT                  |

# FDD or FDDL-18 Thru -96 EXPLODED VIEW



## 9. APW WYOTT EQUIPMENT LIMITED WARRANTY

APW Wyott Foodservice Equipment Company warrants its equipment against defects in materials and workmanship, subject to the following conditions:

This warranty applies to the original owner only and is not assignable.

Should any product fail to function in its intended manner under normal use within the limits defined in this warranty, at the option of APW Wyott such product will be repaired or replaced by APW Wyott or its Authorized Service Agency. APW Wyott will only be responsible for charges incurred or service performed by its Authorized Service Agencies. The use of other than APW Wyott Authorized Service Agencies will void this warranty and APW Wyott will not be responsible for such work or any charges associated with same. The closest APW Wyott Authorized Service Agent must be used.

This warranty covers products shipped into the 48 contiguous United States, Hawaii, metropolitan areas of Alaska and Canada. There will be no labor coverage for equipment located on any island not connected by roadway to the mainland.

Warranty coverage on products used outside the 48 contiguous United States, Hawaii, and metropolitan areas of Alaska and Canada may vary. Contact the international APW Wyott distributor, dealer, or service agency for details.

### Time Period

One year for parts and one year for labor, effective from the date of purchase by the original owner. The Authorized Service Agency may, at their option, require proof of purchase. Parts replaced under this warranty are warranted for the un-expired portion of the original product warranty only.

### Exceptions

- \***Gas/Electric Cookline:** Models GCB, GCRB, GF, GGM, GGT, CHP-H, EF, EG, EHP. Three (3) Year Warranty on all component parts, except switches and thermostats. (2 additional years on parts only. No labor on second or third year.)
- \***Broiler Briquettes, Rock Grates, Cooking Grates, Burner Shields, Fireboxes:** 90 Day Material Only. No Labor.
- \***Heat Strips:** Models FD, FDL, FDD, FDDL. Two (2) Year Warranty on element only. No labor second year.
- \***Glass Windows, Doors, Seals, Rubber Seals, Light Bulbs:** 90 Day Material Only. No Labor.

In all cases, parts covered by extended warranty will be shipped FOB the factory after the first year.

### Portable Carry In Products

Equipment weighing over 70 pounds or permanently installed will be serviced on-site as per the terms of this warranty. Equipment weighing 70 pounds or under, and which is not permanently installed, i.e. with cord and plug, is considered portable and is subject to the following warranty handling limitations. If portable equipment fails to operate in its intended manner on the first day of connection, or use, at APW Wyott's option or its Authorized Service Agency, it will be serviced on site or replaced.

From day two through the conclusion of this warranty period, portable units must be taken to or sent prepaid to the APW Wyott Authorized Service Agency for in-warranty repairs. No mileage or travel charges are allowed on portable units after the first day of use. If the customer wants on-site service, they may receive same by paying the travel and mileage charges. Exceptions to this rule: (1) countertop warmers and cookers, which are covered under the Enhanced Warranty Program, and (2) toasters or rollergrills which have in store service.

### Exclusions

The following conditions are not covered by warranty:

- \*Equipment failure relating to improper installation, improper utility connection or supply and problems due to ventilation.
- \*Equipment that has not been properly maintained, calibration of controls, adjustments, damage from improper cleaning and water damage to controls.
- \*Equipment that has not been used in an appropriate manner, or has been subject to misuse or misapplication, neglect, abuse, accident, alteration, negligence, damage during transit, delivery or installation, fire, flood, riot or act of god.
- \*Equipment that has the model number or serial number removed or altered.

If the equipment has been changed, altered, modified or repaired by other than an Authorized Service Agency during or after the warranty period, then the manufacturer shall not be liable for any damages to any person or to any property, which may result from the use of the equipment thereafter.

This warranty does not cover services performed at overtime or premium labor rates. Should service be required at times which normally involve overtime or premium labor rates, the owner shall be charged for the difference between normal service rates and such premium rates. APW Wyott does not assume any liability for extended delays in replacing or repairing any items beyond its control.

In all cases, the use of other than APW Wyott Authorized OEM Replacement Parts will void this warranty.

This equipment is intended for commercial use only. Warranty is void if equipment is installed in other than commercial application.

### Water Quality Requirements

Water supply intended for a unit that has in excess of 3.0 grains of hardness per gallon (GPG) must be treated or softened before being used. Water containing over 3.0 GPG will decrease the efficiency and reduce the operation life of the unit.

**Note: Product failure caused by liming or sediment buildup is not covered under warranty.**

**“THE FOREGOING WARRANTY IS IN LIEU OF ANY AND ALL OTHER WARRANTIES EXPRESSED OR IMPLIED INCLUDING ANY IMPLIED WARRANTY OF MERCHANTABILITY OR FITNESS FOR PARTICULAR PURPOSES AND CONSTITUTES THE ENTIRE LIABILITY OF APW WYOTT. IN NO EVENT DOES THE LIMITED WARRANTY EXTEND BEYOND THE TERMS STATED HEREIN.”**

9/05