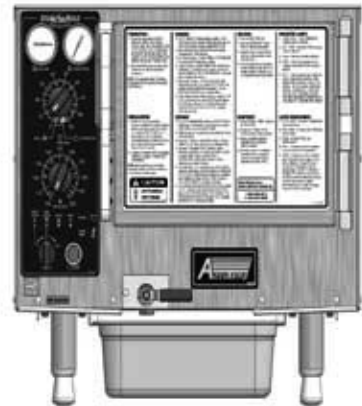
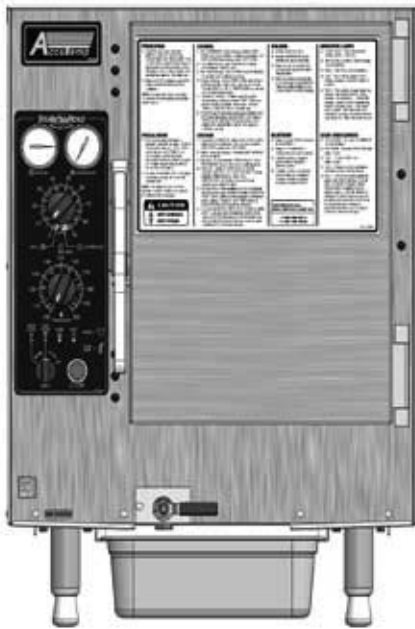




# PARTS MANUAL

S/N 35389 & HIGHER



MP4007-1106

# TABLE OF CONTENTS

PAGE

DOCUMENT HISTORY	1
BOM MODULE	2-3
VOLTAGE, WATTAGE, PHASE MODULE	4-6
COMPONENT BRACKET ASSEMBLY	7
HEAT SINK ASSEMBLY	8
CAST HEATER REPLACEMENT KIT	9
CONTROL PANEL MODULE	10
COMMON COMPONENTS MODULE	11-16
VACUUM PUMP & MUFFLER ASSEMBLY	17
LEG CONFIGURATION MODULE	18
DOOR CONFIGURATION MODULE	19-20
DOOR ASSEMBLY, QUICK RELEASE	21
OUTER DOOR ASSEMBLY	22
INNER DOOR ASSEMBLY	23-25
VALVE BRACKET ASSY.	26
PARTS LIST	27-29

PAGE 1

## DOCUMENT HISTORY

CURRENT REVISION:MP4007-1106  
DATE: 6/2011

PRIOR REVISION: MP4007-1105  
DATE: 5/2011

CHANGE: REVISIONS FOR NEW DESIGN

STEAM'N'HOLD™

MP4007-1106

# MODEL NUMBER IDENTIFICATION

MP4007-1106

STEAM'N'HOLD™

PAGE 2

## AT1A-3701 MODULAR BOM FOR STEAM 'N' HOLD STEAMERS

To build up a complete steamer assembly BOM, begin with the desired steamer model number, created from the Steamer Model String Number, Configuration (AT1T-2611), and follow steps 1 through 4.  
Example: S62403D01130200

### STEP 1. MODULE, VOLTAGE WATTAGE PHASE

Using model string digits 1 through 10, locate the generic model number in the chart and find the corresponding Module, Voltage Wattage Phase.

Example: Generic Model No. = S62403D011XXXXX  
Voltage Wattage Phase Module No. = AT1A-3703-33

DIGITS 1-10 GENERIC MODEL NO.	MODULE, VOLTAGE WATTAGE PHASE	DATA TAG INFORMATION			
		MODEL NO. DIGITS 1-10	VOLTAGE	AMPS	KWATTS
S62081X060XXXXX	AT1A-3703-22	S62081X060	208	29	6
S62083X060XXXXX	AT1A-3703-32	S62403X080	208/240	17/19	6/8
S62403X080XXXXX	AT1A-3703-33	S62403X110	208/240	22/26	8/11
S62083X080XXXXX	AT1A-3703-33	S62403X110	208/240	22/26	8/11
S62403X110XXXXX	AT1A-3703-34	S62403X120	208/240	25/29	9/12
S62083X120XXXXX	AT1A-3703-34	S62403X120	208/240	25/29	9/12
S62083X100XXXXX	AT1A-3703-24	S62083X100	208	28	10
S62083X120XXXXX	AT1A-3703-25	S62083X120	208	33	12
S62083X150XXXXX	AT1A-3703-26	S62083X150	208	42	15
S62083X170XXXXX	AT1A-3703-27	S62083X170	208	47	17
S62301X070XXXXX	AT1A-3703-28	S62301X070	230	32	7
S62401X060XXXXX	AT1A-3703-29	S62401X060	240	25	6
S62403X060XXXXX	AT1A-3703-30	S62403X060	240	15	6
S62401X080XXXXX	AT1A-3703-31	S62401X080	240	33	8
S62403X130XXXXX	AT1A-3703-35	S62403X130	240	32	13
S63805X070XXXXX	AT1A-3703-37	S65145X080	380/400/415	10/11/11	7/7.4/8
S64155X080XXXXX	AT1A-3703-38	S64155X110	380/400/415	14/14/15	9/10/11
S63805X090XXXXX	AT1A-3703-39	S64155X120	380/400/415	15/16/17	10/11/12
S64005X100XXXXX	AT1A-3703-40	S64155X130	380/400/415	17/18/19	11/12/13
S64155X110XXXXX	AT1A-3703-41	S63805X130	380/400/415	20/21/22	13/15/16
S63805X120XXXXX	AT1A-3703-42	S64155X060	415	8	6
S64155X160XXXXX	AT1A-3703-43	S64803X080	440/480	9/10	7/8
S64155X060XXXXX	AT1A-3703-44	S64803X110	440/480	12/13	9/11
S64403X070XXXXX	AT1A-3703-48	S64803X140	440/480	16/17	12/14
S64803X080XXXXX	AT1A-3703-45	S64803X160	440/480	17.6/19	13/16
S64403X120XXXXX					
S64803X140XXXXX					
S64403X130XXXXX					
S64803X160XXXXX					

6 PAN

### STEP 2. MODULE, CONTROL PANEL

Add the Module, Control Panel derived from model string digits 11 & 12. See AT1T-2611 for internal thermostat settings represented by digit 12.

Example: (S62403D01130200)  
30 = AT1A-3705-1

DIGITS 11 & 12	CONTROL PANEL MODULE
30	AT1A-3705-1
40	AT1A-3705-2

### STEP 3. MODULE, COMMON COMPONENTS

Add the Module, Common Components derived from the model string digit 7 and digit 15.

Examples: (S62403D01130200)  
D,0 = AT1A-3704-7

DIGIT 7 & 15	MODULE, COMMON COMPONENTS	MODULE DESCRIPTION
D, 0 or 2	AT1A-3704-7	CONNECTIONLESS
D, 1	AT1A-3704-8	CONNECTIONLESS + TAMPER-PROOF
E, 0 or 2	AT1A-3704-9	CONNECTED
E, 1	AT1A-3704-10	CONNECTED + TAMPER-PROOF
F, 0	AT1A-3704-11	CONNECTIONLESS - CE
G, 0	AT1A-3704-12	CONNECTED - CE

### STEP 4. MODULE, DOOR

Add the Module, Door derived from the model string digit 13 and digit 15.

Examples: (S62403D01130200)  
2,0 = AT1A-3501-9

DIGIT 13 & 15	MODULE, DOOR	MODULE DESCRIPTION
2,0	AT1A-3501-9	RIGHT HAND HINGE
3,0	AT1A-3501-10	LEFT HAND HINGE
4,0	AT1A-3501-19	RIGHT HAND HINGE + HOLD OPEN DOOR
5,0	AT1A-3501-20	LEFT HAND HINGE + HOLD OPEN DOOR
6,0	AT1A-3501-13	RIGHT HAND HINGE + CRACK
7,0	AT1A-3501-14	LEFT HAND HINGE + CRACK OPEN DOOR
8,0	AT1A-3501-21	RIGHT HAND HINGE + HOLD OPEN DOOR + CRACK OPEN DOOR
9,0	AT1A-3501-22	LEFT HAND HINGE + HOLD OPEN DOOR + CRACK OPEN DOOR
2,1	AT1A-3501-17	RIGHT HAND HINGE TAMPER PROOF
3,1	AT1A-3501-18	LEFT HAND HINGE TAMPER PROOF

### EXAMPLE RESULT:

S62403D01130200 is made from parts and modules AT1A-3703-33 + AT1A-3705-1 + AT1A-3704-7 + AT1A-3501-9 + AT1A-3500-1

### STEP 4. MODULE, LEG CONFIGURATION

Add the Module, Leg Configuration derived from model string digit 14 and digit 15 for modification of a standard model steamer.

Example: (S62403D01130200)  
0,0 = AT1A-3500-1

DIGIT 14,15	MODULE, LEG CONFIGURATION	MODULE DESCRIPTION
0,0	AT1A-3500-1	DRAIN PAN RAILS
0,1	AT1A-3500-2	DRAIN PAN RAILS + TAMPER-PROOF SCREWS
2,0	AT1A-3500-3	4" LEGS + FLANGED FEET
2,1	AT1A-3500-4	4" LEGS + FLANGED FEET + TAMPER-PROOF SCREWS
5,0	AT1A-3500-5	4" LEGS + BULLET FEET
5,1	AT1A-3500-6	4" LEGS + BULLET FEET + TAMPER-PROOF SCREWS

### NOTES:

- SHEETS 2 THROUGH SHEET 3 SHOW COMPONENT AND MODULE ASSEMBLY ORIENTATIONS.

### STEP 1. MODULE, VOLTAGE WATTAGE PHASE

Using model string digits 1 through 10, locate the generic model number in the chart and find the corresponding Module, Voltage Wattage Phase.

Example: Generic Model No. = S32403D011XXXXX  
Voltage Wattage Phase Module No. = AT1A-3703-10

DIGITS 1-10 GENERIC MODEL NO.	MODULE, VOLTAGE WATTAGE PHASE	DATA TAG INFORMATION			
		MODEL NO. DIGITS 1-10	VOLTAGE	AMPS	KWATTS
S32081X060XXXXX	AT1A-3703-1	S32081X060	208	29	6
S32083X060XXXXX	AT1A-3703-9	S32403X080	208/240	17/19	6/8
S32403X080XXXXX	AT1A-3703-10	S32403X110	208/240	22/26	8/11
S32083X080XXXXX	AT1A-3703-11	S32403X120	208/240	25/29	9/12
S32403X110XXXXX	AT1A-3703-11	S32403X120	208/240	25/29	9/12
S32083X120XXXXX	AT1A-3703-3	S32083X100	208	28	10
S32083X100XXXXX	AT1A-3703-4	S32083X120	208	33	12
S32301X070XXXXX	AT1A-3703-5	S32301X070	230	32	7
S32401X060XXXXX	AT1A-3703-6	S32401X060	240	25	6
S32403X060XXXXX	AT1A-3703-7	S32403X060	240	15	6
S32401X080XXXXX	AT1A-3703-8	S32401X080	240	33	8
S33805X070XXXXX	AT1A-3703-12	S35145X080	380/400/415	10/11/11	7/7.4/8
S34005X100XXXXX	AT1A-3703-13	S34155X110	380/400/415	14/14/15	9/10/11
S34155X080XXXXX	AT1A-3703-14	S34155X120	380/400/415	15/16/17	10/11/12
S33805X090XXXXX	AT1A-3703-14	S34155X120	380/400/415	15/16/17	10/11/12
S34005X110XXXXX	AT1A-3703-16	S34155X060	415	8	6
S34155X160XXXXX	AT1A-3703-18	S34803X080	440/480	9/10	7/8
S34155X060XXXXX	AT1A-3703-18	S34803X110	440/480	12/13	9/11
S34403X070XXXXX	AT1A-3703-19	S34803X140	440/480	16/17	12/14
S34803X080XXXXX	AT1A-3703-21	S34803X160	440/480	17.6/19	13/16
S34403X120XXXXX					
S34803X140XXXXX					
S34403X130XXXXX					
S34803X160XXXXX					

3 PAN

### STEP 2. MODULE, CONTROL PANEL

Add the Module, Control Panel derived from model string digits 11 & 12. See AT1T-2611 for internal thermostat settings represented by digit 12.

Example: (S32403D01130200)  
30 = AT1A-3705-1

DIGITS 11 & 12	CONTROL PANEL MODULE
30	AT1A-3705-1
40	AT1A-3705-2

### STEP 3. MODULE, COMMON COMPONENTS

Add the Module, Common Components derived from the model string digit 7 and digit 15.

Examples: (S32403D01130200)  
D,0 = AT1A-3704-1

DIGIT 7 & 15	MODULE, COMMON COMPONENTS	MODULE DESCRIPTION
D, 0	AT1A-3704-1	CONNECTIONLESS
E, 0	AT1A-3704-2	CONNECTED
F, 0	AT1A-3704-5	CONNECTIONLESS - CE
G, 0	AT1A-3704-6	CONNECTED - CE

### STEP 4. MODULE, DOOR

Add the Module, Door derived from the model string digit 13 and digit 15.

Examples: (S32403D01130200)  
2,0 = AT1A-3501-1

DIGIT 13 & 15	MODULE, DOOR CONFIGURATION	MODULE DESCRIPTION
2,0	AT1A-3501-1	RIGHT HAND HINGE
3,0	AT1A-3501-2	LEFT HAND HINGE
4,0	AT1A-3501-3	RIGHT HAND HINGE + HOLD OPEN DOOR
5,0	AT1A-3501-4	LEFT HAND HINGE + HOLD OPEN DOOR
6,0	AT1A-3501-5	RIGHT HAND HINGE + CRACK
7,0	AT1A-3501-6	LEFT HAND HINGE + CRACK OPEN DOOR
8,0	AT1A-3501-7	RIGHT HAND HINGE + HOLD OPEN DOOR + CRACK OPEN DOOR
9,0	AT1A-3501-8	LEFT HAND HINGE + HOLD OPEN DOOR + CRACK OPEN DOOR

### STEP 4. MODULE, LEG CONFIGURATION

Add the Module, Leg Configuration derived from model string digit 14 and digit 15 for modification of a standard model steamer.

Example: (S32403D01130200)  
0,0 = AT1A-3500-1

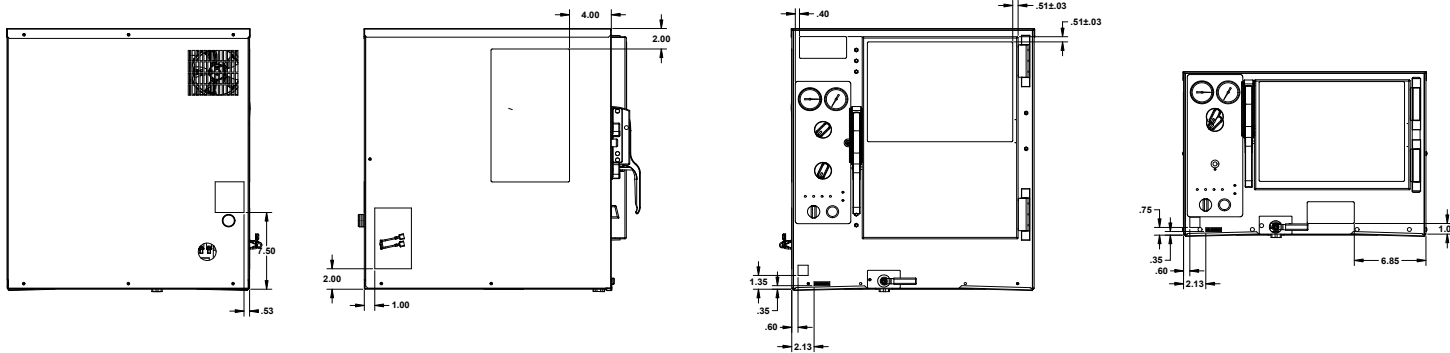
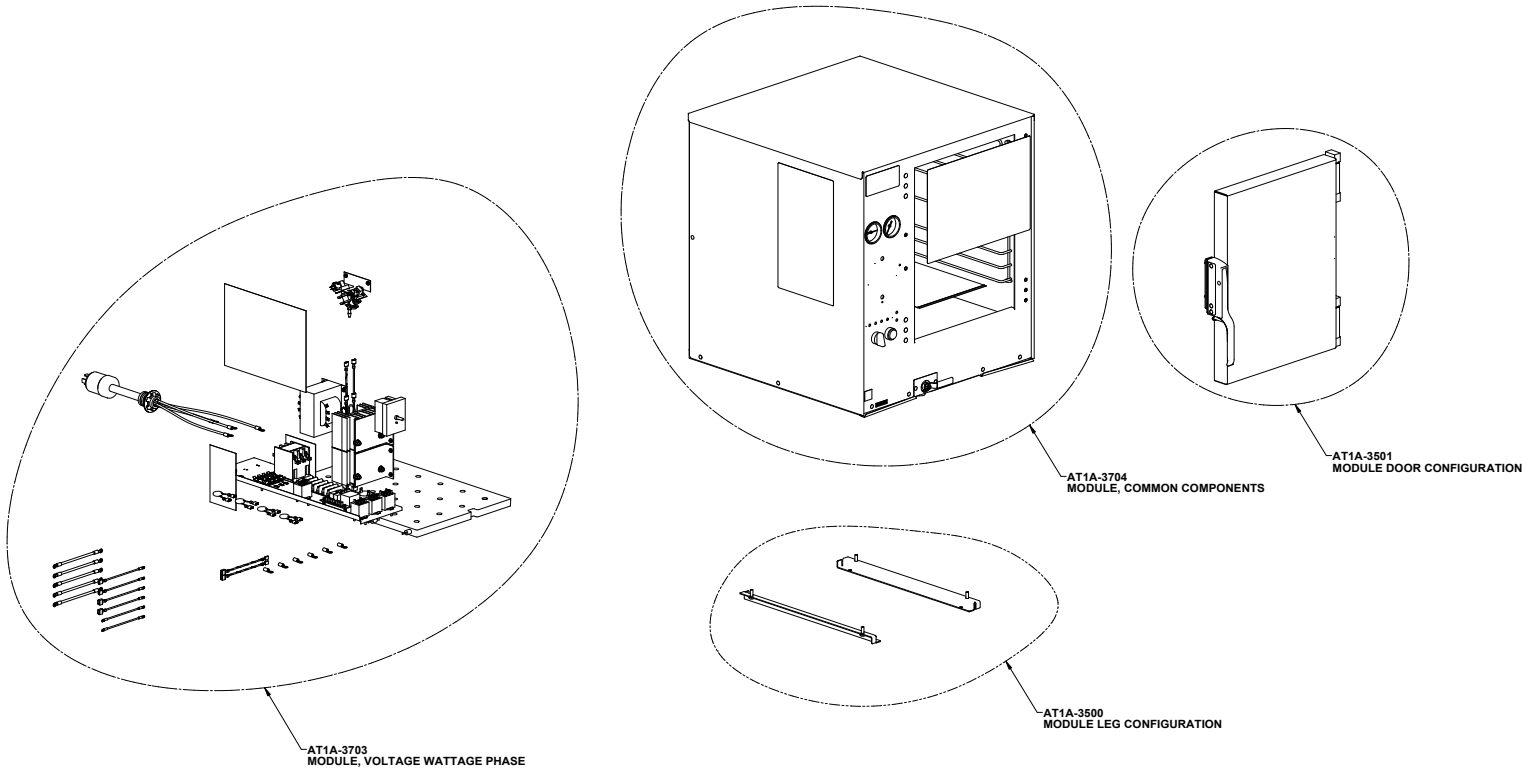
DIGIT 14,15	MODULE, LEG CONFIGURATION	MODULE DESCRIPTION
0,0	AT1A-3500-1	DRAIN PAN RAILS
0,1	AT1A-3500-2	DRAIN PAN RAILS + TAMPER-PROOF SCREWS
2,0	AT1A-3500-3	4" LEGS + FLANGED FEET
2,1	AT1A-3500-4	4" LEGS + FLANGED FEET + TAMPER-PROOF SCREWS
5,0	AT1A-3500-5	4" LEGS + BULLET FEET
5,1	AT1A-3500-6	4" LEGS + BULLET FEET + TAMPER-PROOF SCREWS

# MODEL NUMBER IDENTIFICATION

MP4007-1106

STEAM'N'HOLD™

PAGE 3



Accurate Products, Inc.  
2011-2012  
BOM - 6 PAN FINAL  
(STEAM 'N' HOLD)  
REV 00000000  
AT1A-3701  
A

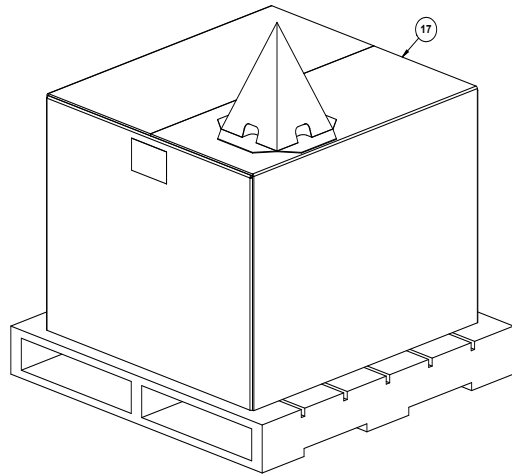
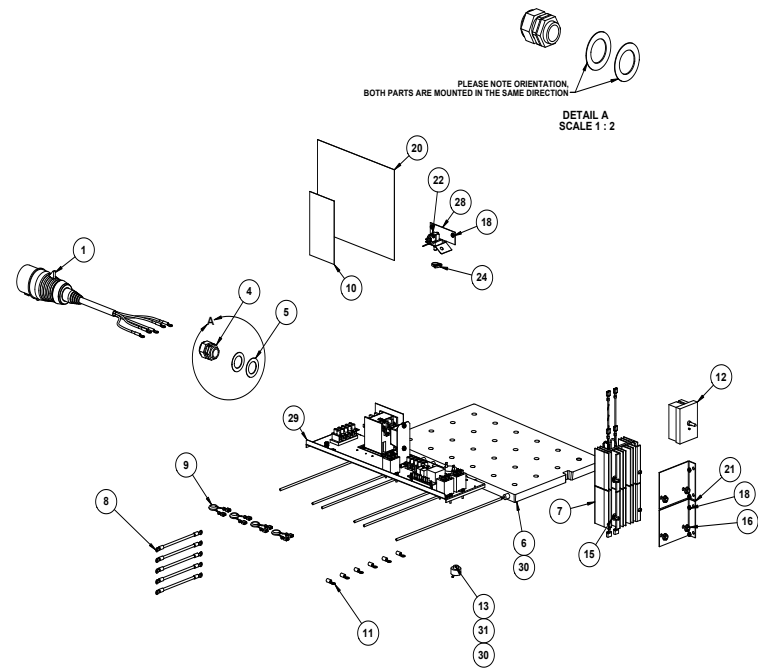
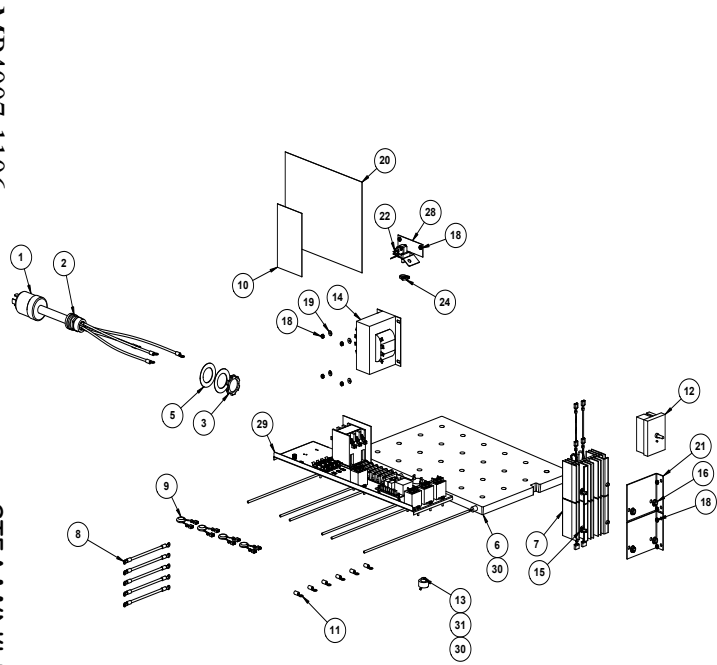


# Voltage, Wattage, Phase Module

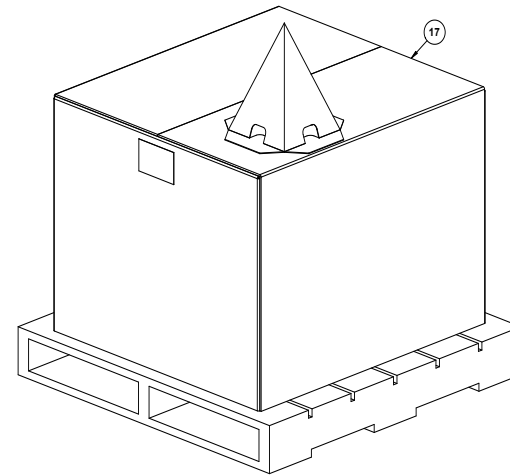
MP4007-1106

STEAM'N'HOLD™

PAGE 5



3 PAN STEAMER CONFIGURATION  
GROUPS 1-4, 6-11, 18-21



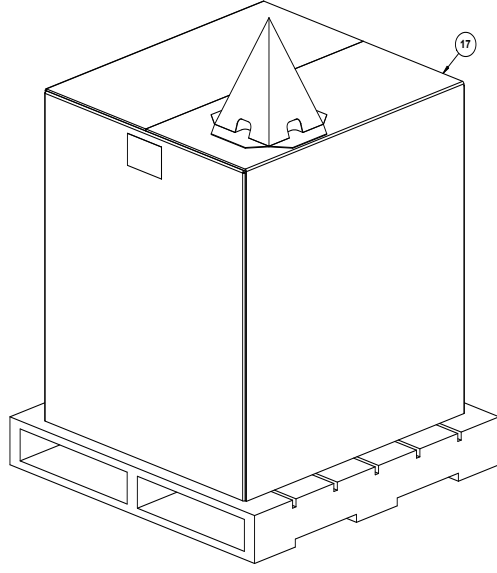
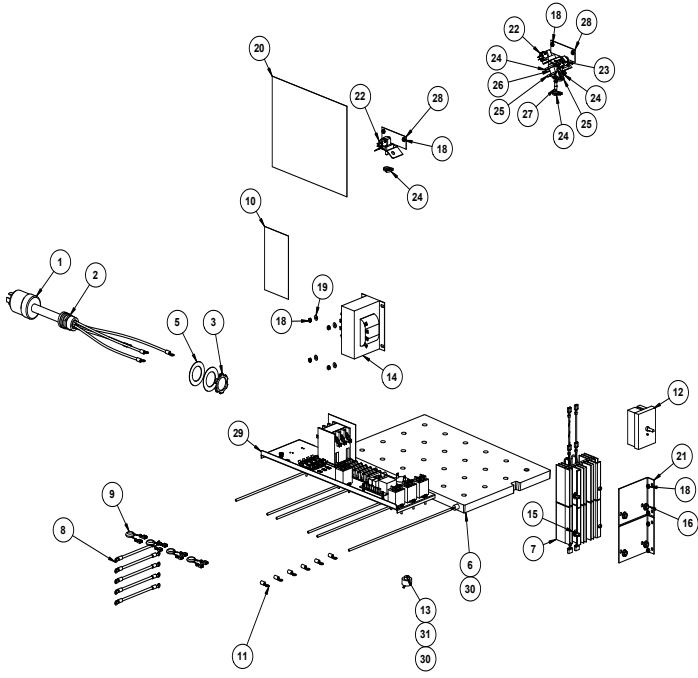
3 PAN STEAMER CONFIGURATION  
GROUPS 5, 12-17

# Voltage, Wattage, Phase Module

MP4007-1106

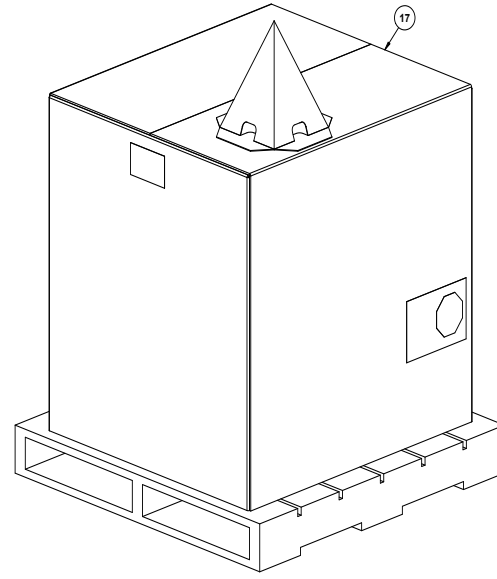
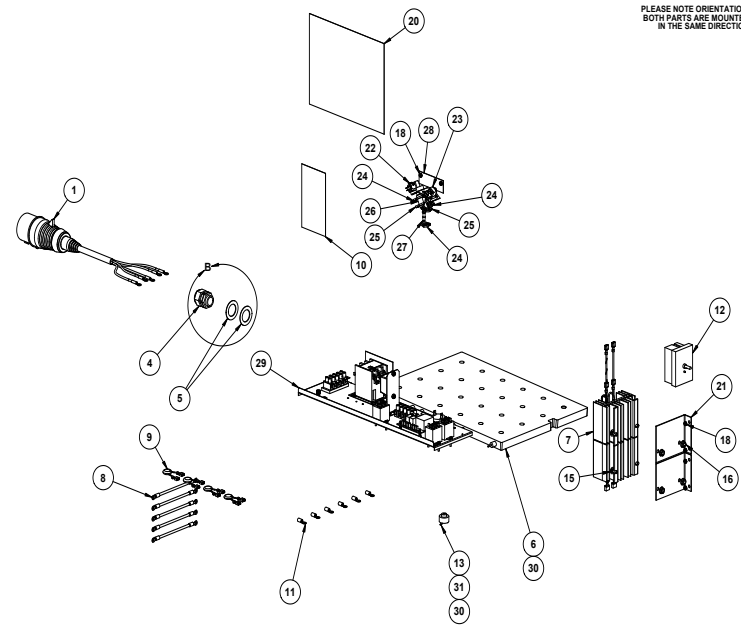
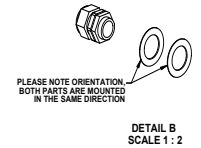
STEAM'N'HOLD™

PAGE 6



6 PAN STEAMER CONFIGURATION  
GROUPS 22-27, 29-36, 43-45, 48, 49

MP4007-1106



6 PAN STEAMER CONFIGURATION  
GROUPS 28, 37-42

STEAM'N'HOLD™

PAGE 6

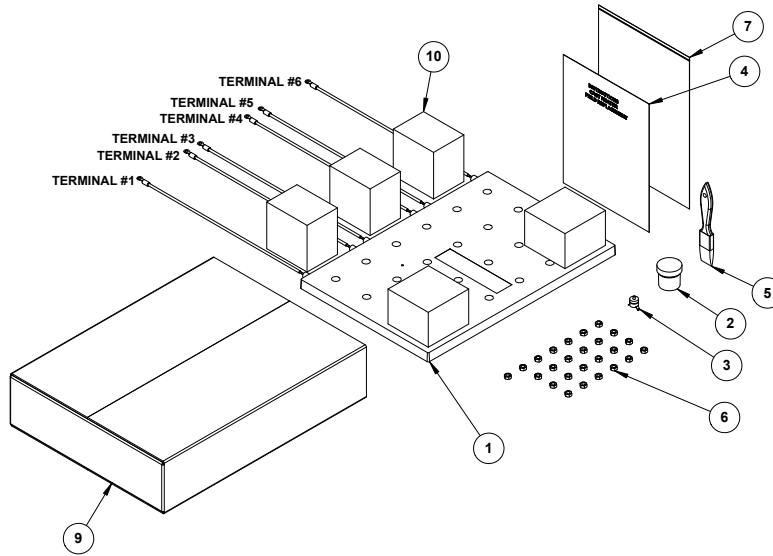
# Cast Heater Replacement Kit

MP4007-1106

STEAM'N'HOLD™

PAGE 7

PART NUMBER	RATED VOLTAGE / WATTAGE							
	208V 6.0KW	230V 7.3KW	240V 8.0KW	380V 6.7KW	400V 7.4KW	415V 8.0KW	440V 9.0KW	480V 10.7KW
AT1A-3530-1								
AT1A-3530-2			240V 6.0KW					
AT1A-3530-3	208V 8.0KW		240V 10.7KW	380V 9.0KW	400V 10.0KW	415V 10.7KW		480V 14.0KW
AT1A-3530-4	208V 12.0KW			380V 13.0KW				
AT1A-3530-5			240V 16.0KW		400V 14.8KW	415V 16.0KW	440V 18.0KW	
AT1A-3530-6	208V 10.0KW		240V 13.0KW <sup>®</sup>					
AT1A-3530-7	208V 17.0KW							
AT1A-3530-8	208V 15.0KW							



5	5	5	5	5	5	5	5	5	10	AT0S-3535-1	PLANK FOAM
1	1	1	1	1	1	1	1	1	9	AT0S-3533-1	BOX, CARDBOARD
AR	AR	AR	AR	AR	AR	AR	AR	AR	8	AT0S-2770-1	FOAM OR BUBBLE WRAP
1	1	1	1	1	1	1	1	1	7	AT0H-2782-2	BAG, 9 X 12 RECLOSABLE
25	25	25	25	25	25	25	25	25	6	AT0F-3401-1	NUT, SPECIAL LOCKING 1/4-20UNC-2B
1	1	1	1	1	1	1	1	1	5	AT0H-3532-1	PAINT BRUSH
1	1	1	1	1	1	1	1	1	4	AT1T-3534-1	INSTRUCTIONS, CAST HEATER FIELD REPLACEMENT
1	1	-	1	-	-	-	-	-	3	AT1E-2653-4	OVERTEMP SWITCH
-	-	1	-	1	1	1	1	1	3	AT1E-2653-3	OVERTEMP SWITCH
1	1	1	1	1	1	1	1	1	2	AT0H-3412-2	WAKEFIELD 120 THERMAL JOINT COMPOUND
1	-	-	-	-	-	-	-	-	1	AT1A-3531-8	CAST HEATER ASSEMBLY
-	1	-	-	-	-	-	-	-	1	AT1A-3531-7	CAST HEATER ASSEMBLY
-	-	1	-	-	-	-	-	-	1	AT1A-3531-6	CAST HEATER ASSEMBLY
-	-	-	1	1	-	-	-	-	1	AT1A-3531-4	CAST HEATER ASSEMBLY
-	-	-	-	-	1	-	-	-	1	AT1A-3531-3	CAST HEATER ASSEMBLY
-	-	-	-	-	-	-	1	-	1	AT1A-3531-2	CAST HEATER ASSEMBLY
-	-	-	-	-	-	-	-	1	1	AT1A-3531-1	CAST HEATER ASSEMBLY
QTY AT1A-3530-8	QTY AT1A-3530-7	QTY AT1A-3530-6	QTY AT1A-3530-5	QTY AT1A-3530-4	QTY AT1A-3530-3	QTY AT1A-3530-2	QTY AT1A-3530-1	ITEM	PART NUMBER	DESCRIPTION	

AccuTemp Products, Inc.  
3413 N. Clinton Park  
Fort Wayne, IN 46825

**AccuTemp**

Title: **CAST HEATER REPLACEMENT KIT**

Drawing No.: **AT1A-3530** Rev. **B**

Sheet 1 of 1

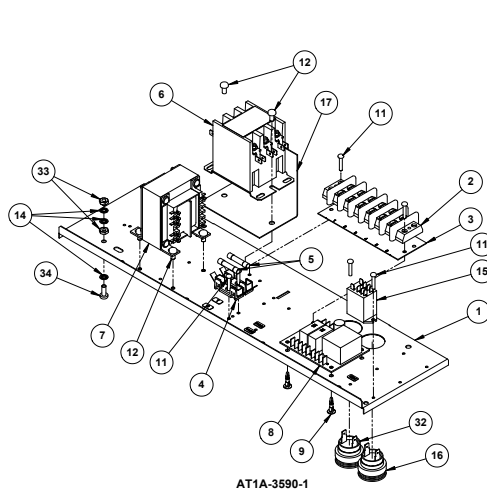


# Component Bracket Assembly

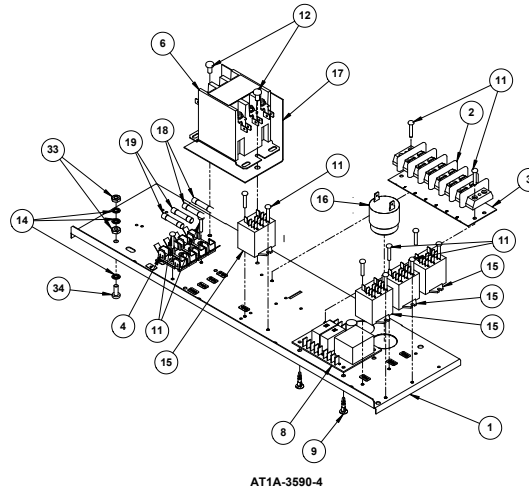
MP4007-1106

STEAM'N'HOLD™

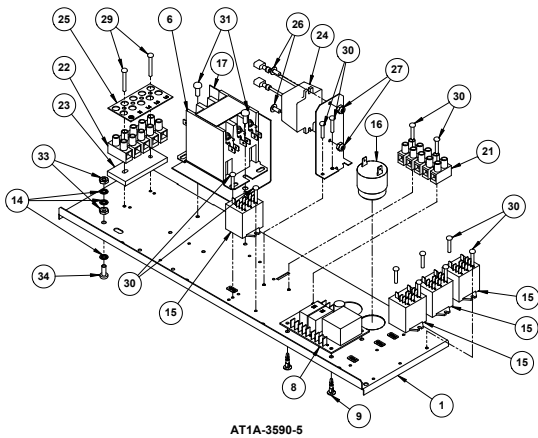
PAGE 8



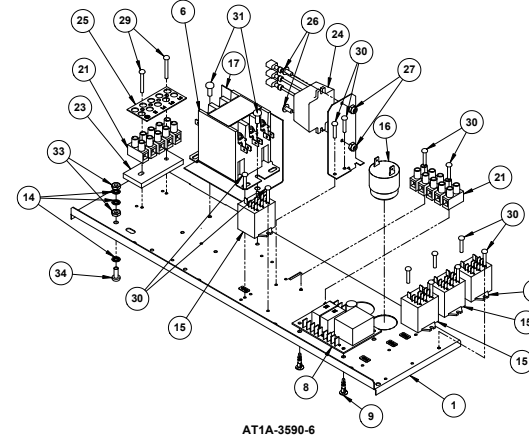
AT1A-3590-1



AT1A-3590-4



AT1A-3590-5



AT1A-3590-6

1	1	1	1	ATOF-3693-41040	34	SCREW, #10-24UNF X 1/2" PHILLIPS PAN HEAD
2	2	2	2	ATOF-2778-41001	33	NUT, #10-24UNC-2B SS HEX MACHINE SCREW
-	-	-	1	ATOE-3654-2	32	ALARM, PIEZO ELECTRIC
2	2	-	-	ATOF-3693-40042	31	SCREW, #10-32UNF X 1/2" PHILLIPS PAN HEAD
12	12	-	-	ATOF-3693-21050	30	SCREW, #6-32UNC X 5/8" PHILLIPS PAN HEAD
2	2	-	-	ATOF-3693-21090	29	SCREW, #6-32UNC X 1 1/8" PHILLIPS PAN HEAD
4	4	-	-	ATOF-2681-21001	28	NUT, #6-32 NYLOC
2	2	-	-	ATOF-2681-31001	27	NUT, #6-32 NYLOC
2	2	-	-	ATOF-1046-31030	26	SCREW, #8-32 X 3/8 PHL TRUSS HEAD
-	1	-	-	ATOL-3454-2	25	LABEL, TERM BLOCK
1	-	-	-	ATOL-3454-1	25	LABEL, TERM BLOCK
-	1	-	-	ATOA-3702-2	24	ASSEMBLY, EMI FILTER
1	-	-	-	ATOA-3702-1	24	ASSEMBLY, EMI FILTER
1	1	-	-	ATOE-3482-1	23	SPACER, TERMINAL BLOCK
-	1	-	-	ATOE-3453-2	22	TERMINAL BLOCK, 5-POSITION 40A
2	1	-	-	ATOE-3453-1	21	TERMINAL BLOCK, 5-POSITION 32A
1	1	-	-	ATIM-3438-1	20	BRACKET, EMI MOUNTING
-	-	2	-	ATOE-2731-3	19	FUSE 1/2 AMP 250V
-	-	2	-	ATOE-2731-1	18	FUSE 3 AMP 250V
1	1	1	1	ATIM-3734-1	17	SHIELD, CONTACTOR
1	1	1	-	ATOE-3654-3	16	ALARM, PIEZO ELECTRIC
-	2	-	1	ATOE-3654-1	16	ALARM, PIEZO ELECTRIC
4	4	4	-	ATOE-2825-4	15	GENERAL PURPOSE RELAY 208/240V
-	-	1	-	ATOE-2825-5	15	GENERAL PURPOSE RELAY 24VAC
3	3	3	3	ATOF-2666-40000	14	WASHER, #10 INTERNAL TOOTH LOCK
-	-	2	6	ATOF-3620-40032	12	SCREW, #10-32UNC X 3/8" SWAGEFORM PHILLIPS PAN HEAD
-	-	12	6	ATOF-3620-21052	11	SCREW, #6-32UNC X 5/8" SWAGEFORM PHILLIPS PAN HEAD
-	-	-	-	-	10	
4	4	4	4	ATOH-3407-1	9	C B SUPPORT, REVERSE MT'G.
1	1	1	-	ATOE-3230-1	8	PCB, DUAL PURPOSE WATER SENSOR
-	-	1	-	ATOE-3230-2	8	PCB, DUAL PURPOSE WATER SENSOR
-	-	1	-	ATOE-2662-5	7	TRANSFORMER
1	1	1	-	ATOE-1587-1	6	3 POLE CONTACTOR
-	-	1	-	ATOE-1587-4	6	3 POLE CONTACTOR
-	-	2	-	ATOE-2731-2	5	FUSE 1/4 AMP 250V
-	-	1	-	ATOE-2708-2	4	3AG OMNI-BLOCK FUSE BLOCK 4 POS
-	-	1	-	ATOE-2708-1	4	3AG OMNI-BLOCK FUSE BLOCK 2 POS
-	-	1	1	ATOE-3062-3	3	MARKER STRIP BARRIER BLOCK 6 POS
-	-	1	1	ATOE-1134-6	2	6 POSITION TERMINAL BLOCK
1	1	1	1	ATIM-3591-1	1	COMPONENT BRACKET
AT1A-3590-6				PART NUMBER	ITEM	DESCRIPTION
AT1A-3590-5						
AT1A-3590-4						
AT1A-3590-1						

Accu-Term Products, Inc.  
 811 W. Clinton Pkwy.  
 Fort Wayne, IN 46825  
**COMPONENT BRACKET  
 ASSEMBLY STEAMER**  
 AT1A-3590 **F**  
 Sheet 1 of 1

# Heat Sink Assembly

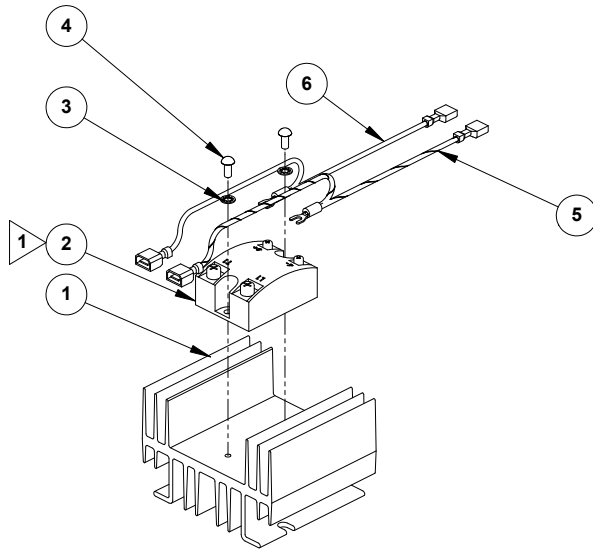
MP4007-1106

STEAM'N'HOLD™

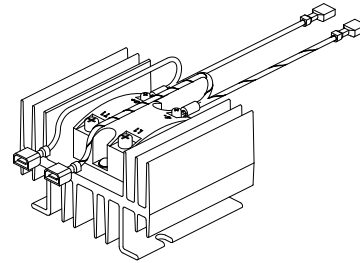
PAGE 9

**NOTES:**

1 FOR SSR WITHOUT INTEGRAL HEAT SINK PAD, ADD AT0E-2996-1 PAD, SSR HEAT SINK OR HEAT SINK COMPOUND.



**AT1A-3707-1**



1	6	AT0A-1454-14	WIRE HARNESS ASSY, ORANGE
1	5	AT0A-1454-15	WIRE HARNESS ASSY, WHT/BRN
2	4	AT0F-2755-31030	SCREW, #8-32UNC X 3/8 PHILIPS ROUND HEAD MACHINE
2	3	AT0F-2666-30000	WASHER, #8 INTERNAL TOOTH LOCK
1	2	AT0E-2059-3	RELAY, SOLID STATE
1	1	AT0E-2206-3	HEAT SINK, 3.43" LONG
AT1A-3707-1	ITEM	PART NO.	DESCRIPTION

 AccuTemp Products, Inc.  
3415 N. Ginton Park  
Fort Wayne, IN 46825

Title: **HEAT SINK ASSY**

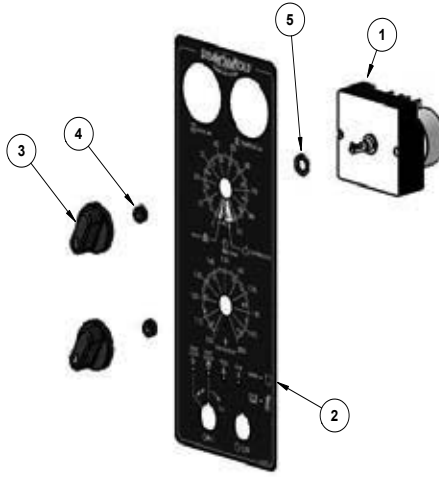
Drawing No: **AT1A-3707** Rev. **A**

# Control Panel Module

MP4007-1106

STEAM'N'HOLD™

PAGE 10



AT1A-3705-1 & -2

1	1	5	AT0F-2666-70000	WASHER, 3/8 INTERNAL TOOTH LOCK
2	2	4	AT0F-3371-1	NUT, ROTARY SHAFT SEAL
2	2	3	AT0H-1455-2	KNOB FOR D SHAFT
1	-	2	AT1L-3708-2	OVERLAY, CONTROL 180 MINUTE
-	1	2	AT1L-3708-1	OVERLAY, CONTROL 90 MINUTE
1	-	1	AT0E-2297-2	TIMER 180 MINUTE
-	1	1	AT0E-2297-1	TIMER 90 MINUTE
AT1A-3705-2				
AT1A-3705-1	ITEM	PART NUMBER	DESCRIPTION	

 AccuTemp Products, Inc.  
8416 N. Canton Park  
Fort Wayne, IN 46825

MODULE,  
CONTROL PANEL  
Drawing No. AT1A-3705 Rev. A

Sheet 1 of 1

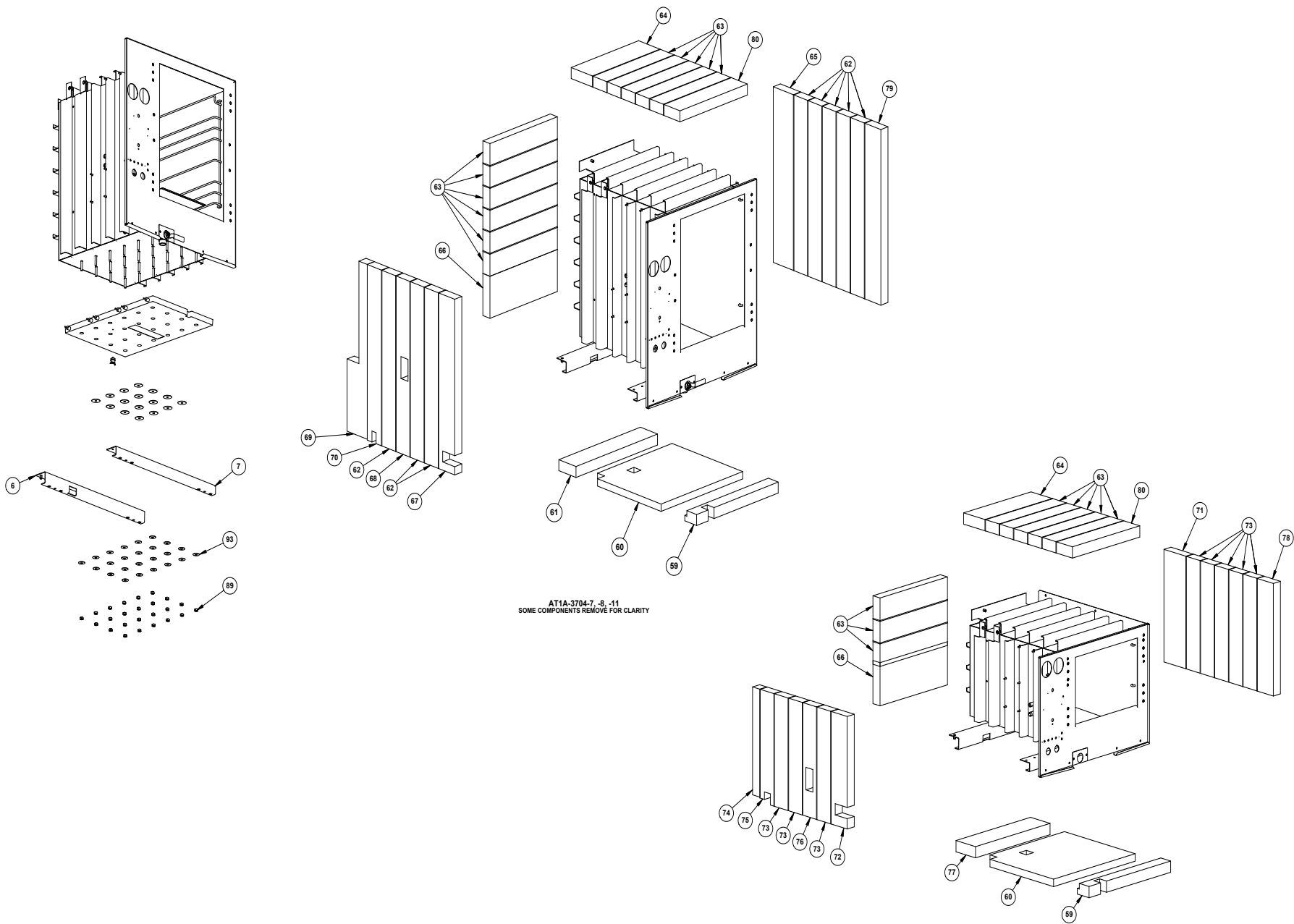


# Common Components

MP4007-1106

STEAM'N'HOLD™

PAGE 12

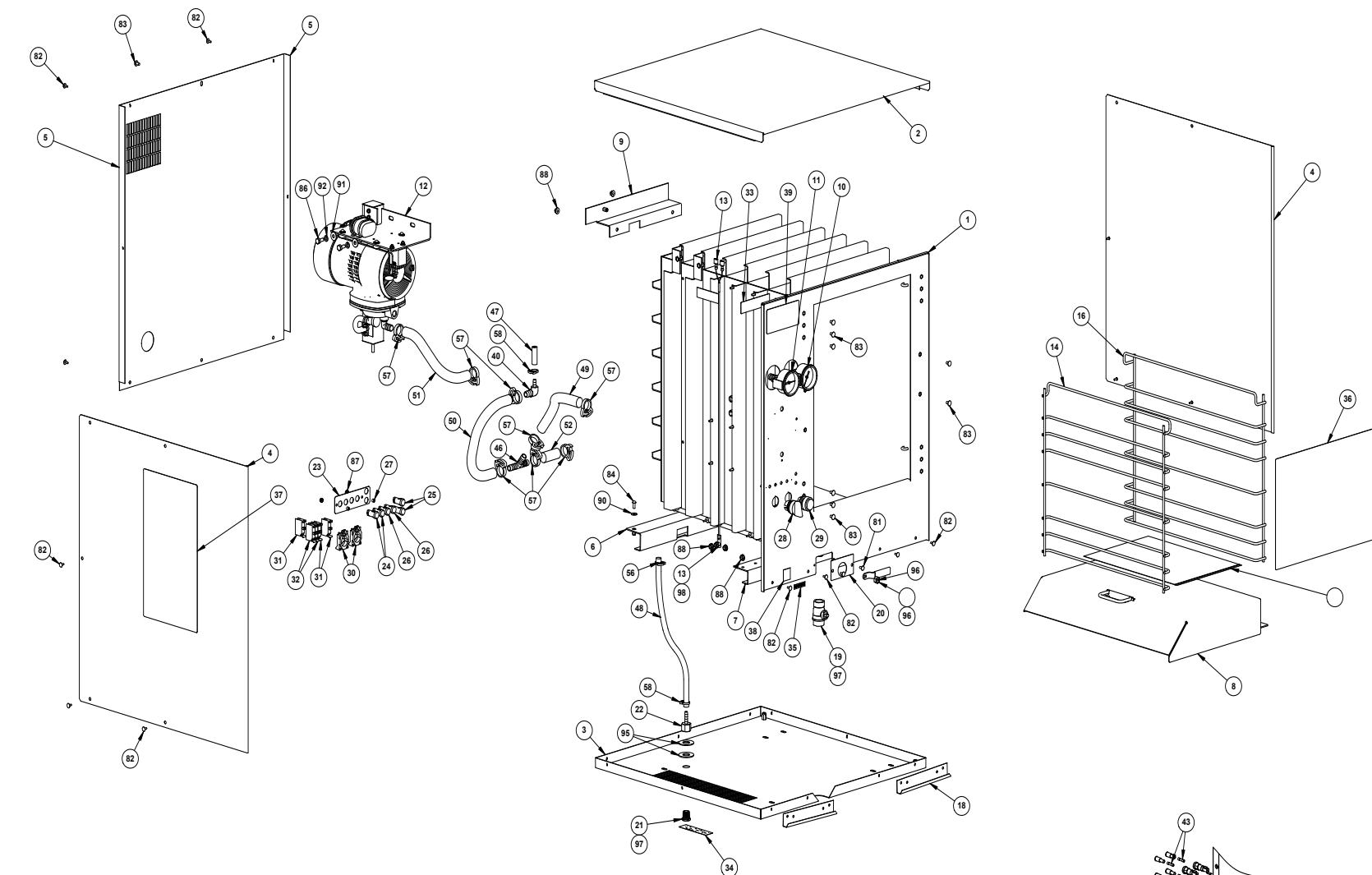


# Common Components

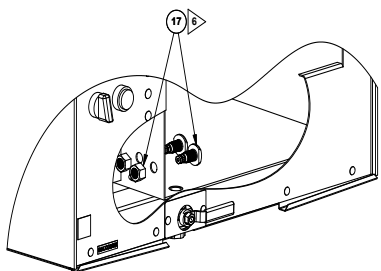
MP4007-1106

STEAM'N'HOLD™

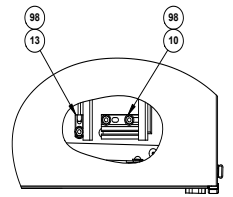
PAGE 13



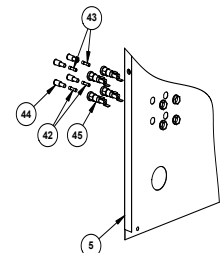
AT1A-3704-7 & -8



AT1A-3704- ALL GROUPS



AT1A-3704- ALL GROUPS



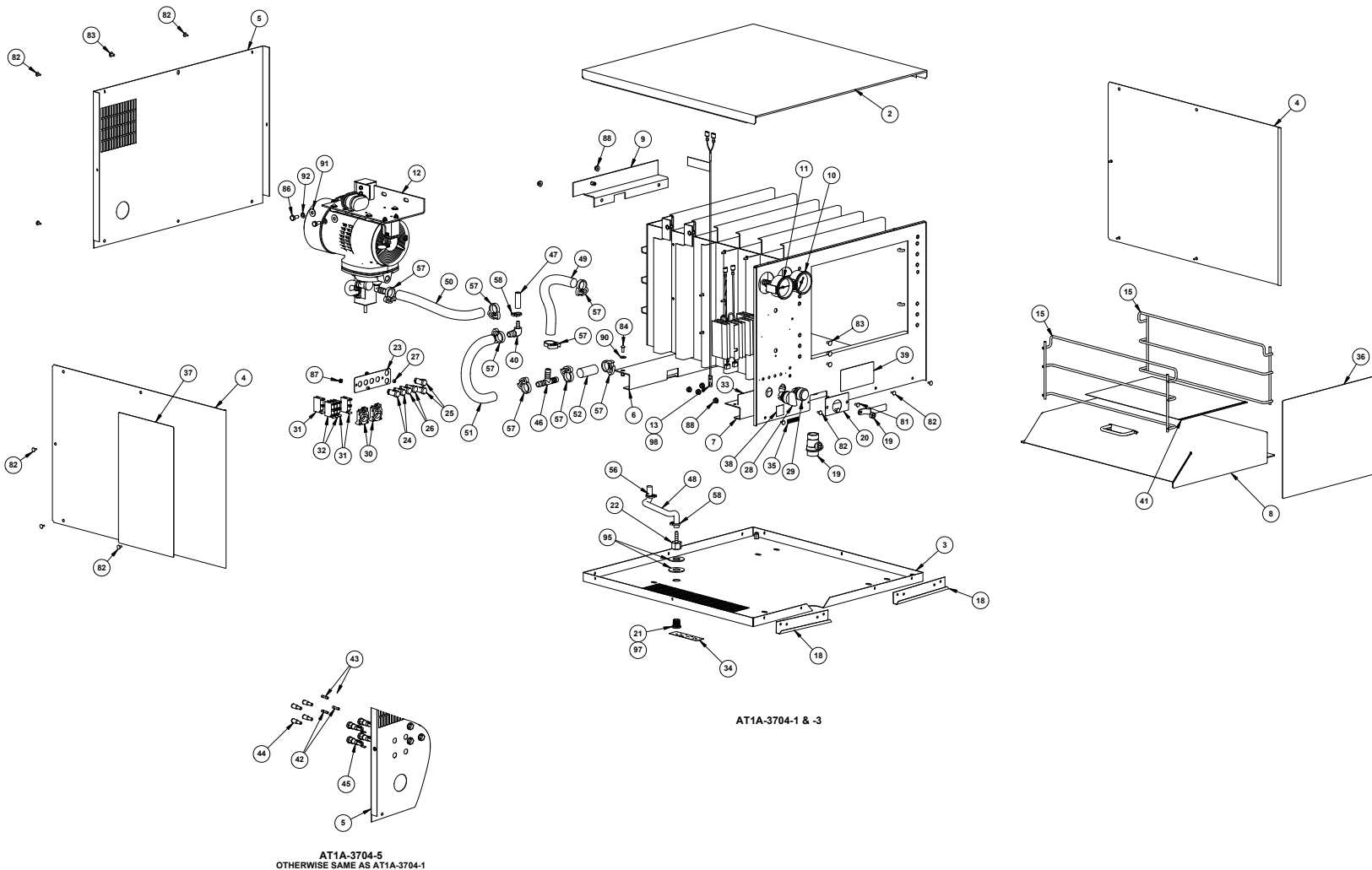
AT1A-3704-11  
OTHERWISE SAME AS AT1A-3704-7

# Common Components

MP4007-1106

STEAM'N'HOLD™

PAGE 14



Accutray Products, Inc.  
2001 N. College Street  
P.O. Box 1000, W. 48020  
TELEPHONE: (248) 344-1100  
FAX: (248) 344-1101  
E-MAIL: sales@accutray.com  
www.accutray.com

MODULE COMMON COMPONENTS

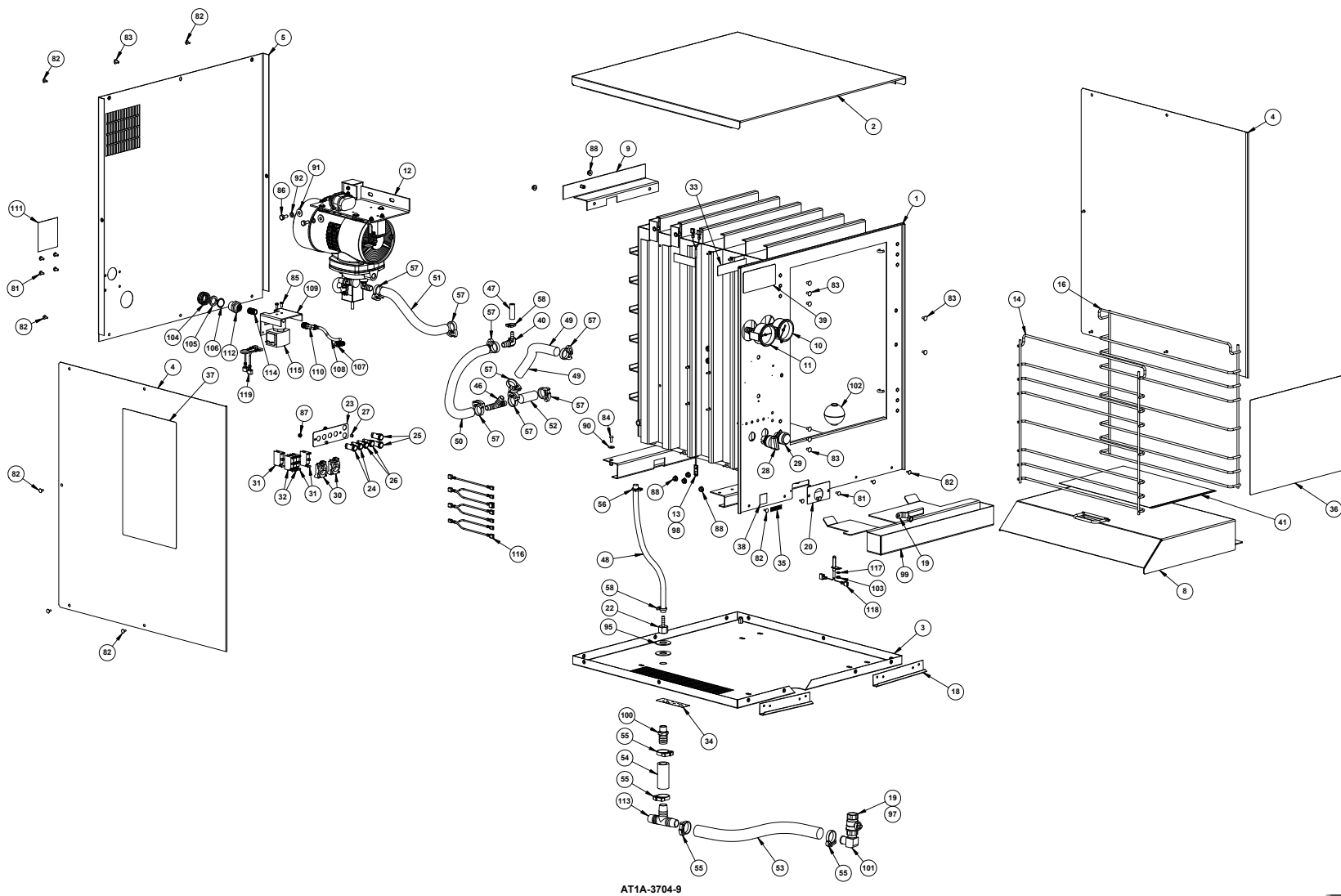
AT1A-3704 A  
Sheet 4 of 5

# Common Components

MP4007-1106

STEAM'N'HOLD™

PAGE 15



AccuFlow Products, Inc.  
2015 McClellan Blvd.  
The MODULE, COMMON COMPONENTS  
AT1A-3704 Rev. A  
Sheet 5 of 6

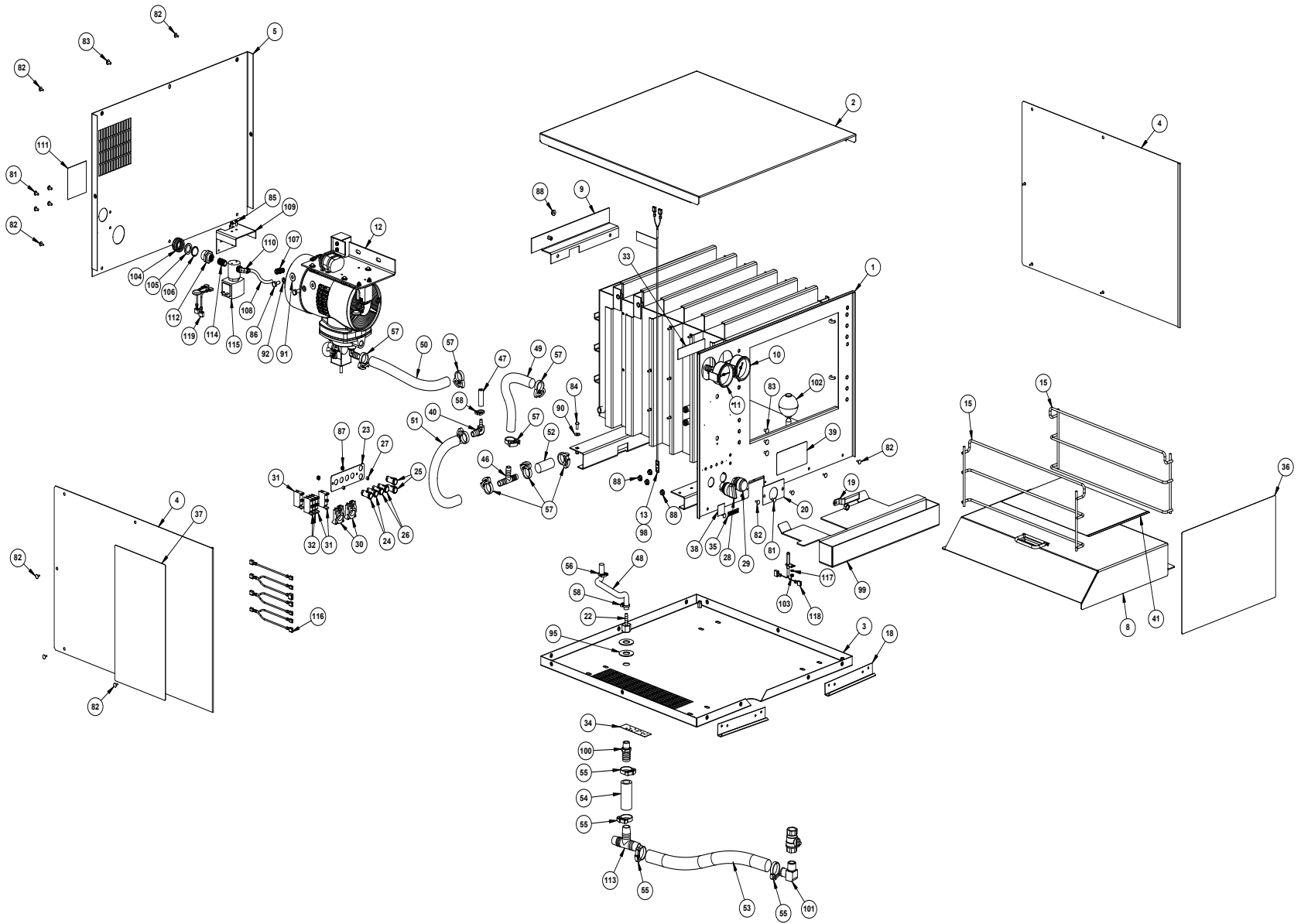


# Common Components

MP4007-1106

STEAM'N'HOLD™

PAGE 16

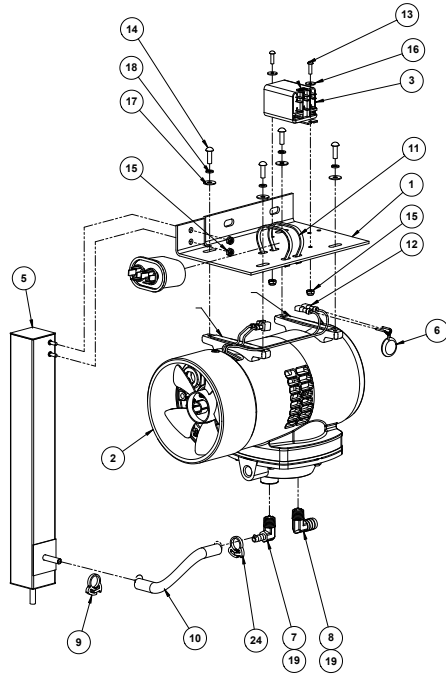


AT1A-3704-2

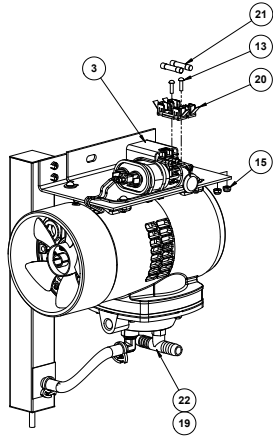
# Vacuum Pump Bracket Assymebly

MP4007-1106

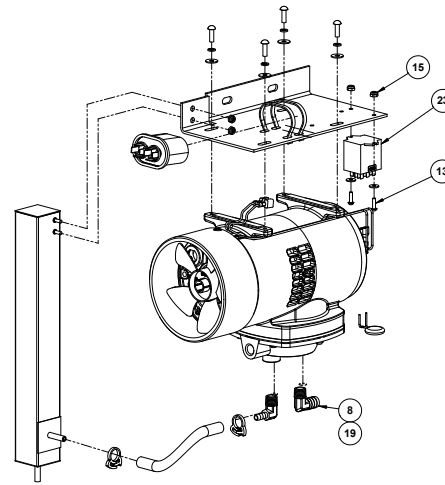
STEAM'N'HOLD™



AT1A-2805-1  
VACUUM PUMP, BRACKET & MUFFLER ASSEMBLY  
S/N 35388 to 22628



AT1A-2805-2  
3 PAN, 208V, 1 & 3 PHASE  
OTHERWISE SAME AS AT1A-2805-1  
S/N 35388 to 22628



AT1A-2805-5  
VACUUM PUMP, BRACKET & MUFFLER ASSEMBLY  
OTHERWISE SAME AS AT1A-2805-1  
S/N 35389 & HIGHER

PAGE 17

QTY	UNIT	DESCRIPTION	PART NUMBER	ITEM	DESCRIPTION
-	-	-	ATOP-2618-1	25	FITTING, 1/4" NPT TO 1/4" HOSE BARB
1	1	1	ATOP-2714-7	24	HOSE CLAMP .500+ O.D. HOSE
1	-	-	ATOE-2825-4	23	GENERAL PURPOSE RELAY 208/240V
-	-	1	ATOP-2704-1	22	MALE BRANCH TEE 1/2 BARB X 1/4 NPT
-	-	2	ATOE-2731-1	21	FUSE 3 AMP 250V
-	-	1	ATOE-2708-1	20	3AG OMNI-BLOK FUSE BLOCK 2 POS
AR	AR	AR	ATOH-3102-1	19	PIPE THREAD SEALANT
4	-	-	ATOF-1922-40000	18	WASHER, #10 SS HELICAL SPRING LOCK
-	-	4	ATOF-1922-40002	18	WASHER, #10 HELICAL SPRING LOCK
4	-	-	ATOF-1052-10000	17	WASHER #10 TYPE B PLAIN 304SS
-	-	4	ATOF-1052-41002	17	WASHER #10 TYPE B PLAIN
2	-	-	ATOF-1052-21000	16	WASHER #6 TYPE B PLAIN 304SS
-	-	2	ATOF-1052-21002	16	WASHER #6 TYPE B PLAIN
4	-	-	ATOF-2691-21001	15	NUT, #6-32 NYLOC
-	-	6	ATOF-2691-21002	15	NUT, #6-32 NYLOC
4	-	-	ATOF-2755-40050	14	SCREW, #10-32UNF X 5/8 PHILIPS ROUND HEAD MACHINE
-	-	4	ATOF-2755-40052	14	SCREW, #10-32UNF X 5/8 PHILIPS ROUND HEAD MACHINE
2	-	-	ATOF-2755-21040	13	SCREW, #6-32UNC X 1/2 PHILIPS ROUND HEAD MACHINE
-	-	4	ATOF-2755-21042	13	SCREW, #6-32UNC X 1/2 PHILIPS ROUND HEAD MACHINE
2	-	2	ATOE-2699-4	12	QD TERMINAL FEMALE INSULATED 14-16 AWG .187 x .020 TAB
2	-	2	ATOE-2690-2	11	CABLE TIE 7.5" LG
1	1	1	ATIP-2555-32050	10	HOSE, SILICONE 1/4" ID X 5" LG
1	1	1	ATOP-2714-1	9	HOSE CLAMP 1/4" ID
1	-	1	ATOP-2628-2	8	ELBOW, 90° FITTING 1/4" NPTM TO 1/2" HOSE BARB
1	1	1	ATOP-2628-1	7	ELBOW, 90° FITTING 1/4" NPTM TO 1/4" HOSE BARB
1	1	1	ATOA-2736-1	6	MOV. TERMINALS ASSEMBLY
1	1	1	AT1A-2984-1	5	SQUARE TUBE MUFFLER ASSEMBLY
-	-	-	ATOE-2825-2	4	GENERAL PURPOSE RELAY 240VAC
-	-	1	ATOE-2825-3	3	GENERAL PURPOSE RELAY 208/240V
-	-	1	AT1E-2703-1	2	VACUUM PUMP
1	-	-	AT1M-2998-2	1	VACUUM PUMP BRKT. (THOMAS)
-	-	1	AT1M-2998-1	1	VACUUM PUMP BRKT. (THOMAS)

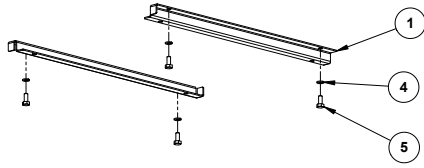
**OBsolete USE AT1A-2805-2**  
**OBsolete USE AT1A-2805-1**

# Leg Assembly Module

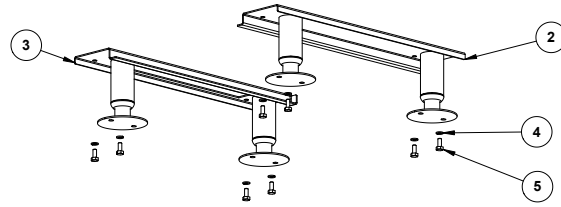
MP4007-1106

STEAM'N'HOLD™

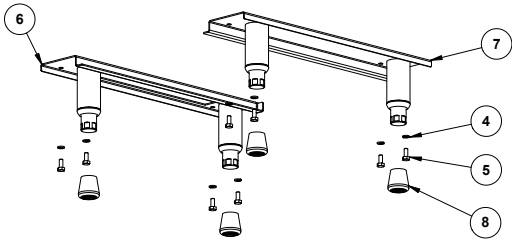
PAGE 18



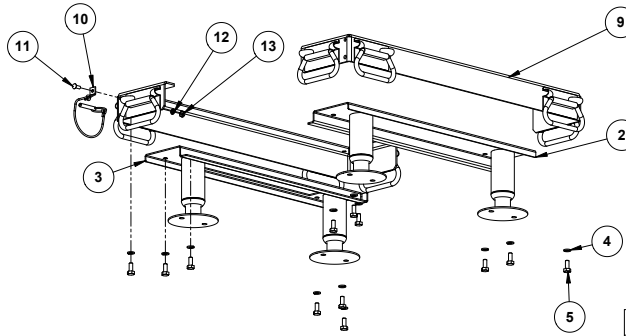
AT1A-3500-1  
AT1A-3500-2



AT1A-3500-3  
AT1A-3500-4



AT1A-3500-5  
AT1A-3500-6



AT1A-3500-7

1	-	-	-	-	-	AT0F-2778-41001	13	NUT, #10-24UNC-2B SS HEX MACHINE SCREW
1	-	-	-	-	-	AT0F-2666-40000	12	WASHER, #10 INTERNAL TOOTH LOCK
1	-	-	-	-	-	AT0F-2755-41040	11	SCREW, #10-24UNC X 1/2 PHILIPS ROUND HEAD MACHINE
1	-	-	-	-	-	AT0H-3783-1	10	PIN, SAFETY LATCHING W/LANYARD
2	-	-	-	-	-	AT1A-3717-1	9	ASSEMBLY, LIFTING BRACKET
-	4	4	-	-	-	AT0H-3040-1	8	RUBBER BULLET FOOT TIP
-	1	1	-	-	-	AT1A-3038-1	7	LEG BASE RIGHT ASSEMBLY
-	1	1	-	-	-	AT1A-3038-2	6	LEG BASE LEFT ASSEMBLY
-	8	-	8	-	4	AT0F-3448-51066	5	SCREW, 1/4-20 x 3/4" DRL SPAN PAN HD MACH
12	-	8	-	8	-	AT0F-2875-51050	5	SCREW, 1/4-20UNC X 5/8 HEX HEAD MACHINE
12	8	8	8	8	4	AT0F-1922-50000	4	WASHER, 1/4" HELICAL SPRING LOCK
1	-	-	1	1	-	AT1A-3038-5	3	LEG BASE FLANGE LEFT ASSEMBLY
1	-	-	1	1	-	AT1A-3038-4	2	LEG BASE FLANGE RIGHT ASSEMBLY
-	-	-	-	-	2	AT1M-2872-1	1	DRAIN PAN BRACKET
QTY						PART NUMBER	ITEM	DESCRIPTION
AT1A-3500-7								
AT1A-3500-6								
AT1A-3500-5								
AT1A-3500-4								
AT1A-3500-3								
AT1A-3500-2								
AT1A-3500-1								

AccuTemp Products, Inc.  
8415 N. Clinton Park  
Fort Wayne, IN 46825

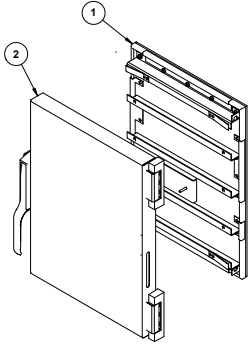
MODULE,  
LEG CONFIGURATION  
Drawing No. AT1A-3500 Rev. D

Sheet 1 of 1

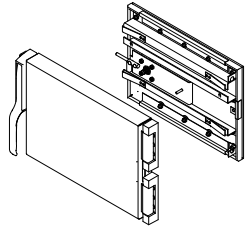


# Door Assembly Module

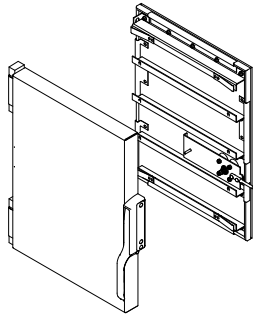
MP4007-1106



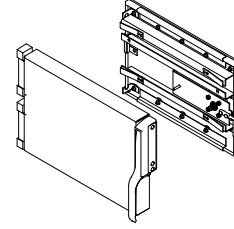
AT1A-2912-1, AT1A-2912-5 & AT1A-2912-11  
DOOR ASSEMBLY 6 PAN RIGHT HAND



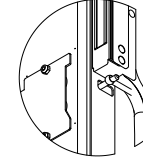
AT1A-2912-2  
DOOR ASSEMBLY 3 PAN RIGHT HAND



AT1A-2912-3, AT1A-2912-6 & AT1A-2912-12  
DOOR ASSEMBLY 6 PAN LEFT HAND

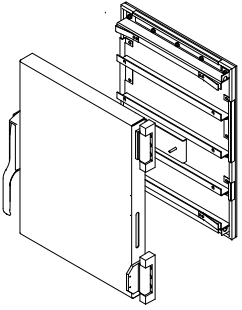


AT1A-2912-4  
DOOR ASSEMBLY 3 PAN LEFT HAND

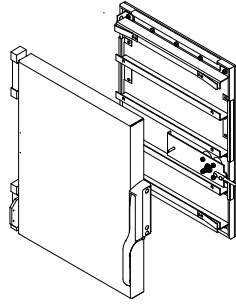


TYP INNER DOOR (ITEM #1) &  
OUTER DOOR (ITEM #2) ASSEMBLY

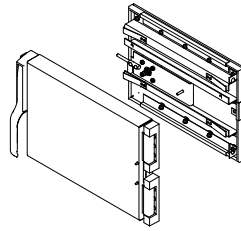
STEAM'N'HOLD™



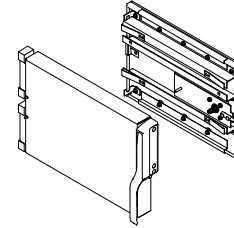
AT1A-2912-7  
DOOR ASSEMBLY 6 PAN RIGHT HAND HOLD OPEN



AT1A-2912-8  
DOOR ASSEMBLY 6 PAN LEFT HAND HOLD OPEN



AT1A-2912-9  
DOOR ASSEMBLY 3 PAN RIGHT HAND HOLD OPEN



AT1A-2912-10  
DOOR ASSEMBLY 3 PAN LEFT HAND HOLD OPEN

PAGE 20

1	-	-	-	-	-	-	-	-	-	-	-	-	-	-	AT1A-2428-13	2	OUTER DOOR ASSEMBLY 6 PAN LEFT HAND SNH II
-	1	-	-	-	-	-	-	-	-	-	-	-	-	-	AT1A-2428-12	2	OUTER DOOR ASSEMBLY 6 PAN RIGHT HAND SNH II
-	-	1	-	-	-	-	-	-	-	-	-	-	-	-	AT1A-2428-11	2	OUTER DOOR ASSEMBLY 3 PAN LEFT HAND
-	-	-	1	-	-	-	-	-	-	-	-	-	-	-	AT1A-2428-10	2	OUTER DOOR ASSEMBLY 3 PAN RIGHT HAND
-	-	-	-	1	-	-	-	-	-	-	-	-	-	-	AT1A-2428-9	2	OUTER DOOR ASSEMBLY 6 PAN LEFT HAND HOLD OPEN
-	-	-	-	-	1	-	-	-	-	-	-	-	-	-	AT1A-2428-8	2	OUTER DOOR ASSEMBLY 6 PAN RIGHT HAND HOLD OPEN
-	-	-	-	-	-	1	-	-	-	-	-	-	-	-	AT1A-2428-6	2	OUTER DOOR ASSEMBLY 6 PAN LEFT HAND
-	-	-	-	-	-	-	1	-	-	-	-	-	-	-	AT1A-2428-5	2	OUTER DOOR ASSEMBLY 6 PAN RIGHT HAND
-	-	-	-	-	-	-	-	1	-	-	-	-	-	-	AT1A-2428-4	2	OUTER DOOR ASSEMBLY 3 PAN LEFT HAND
-	-	-	-	-	-	-	-	-	1	-	-	-	-	-	AT1A-2428-3	2	OUTER DOOR ASSEMBLY 6 PAN LEFT HAND
-	-	-	-	-	-	-	-	-	-	1	-	-	-	-	AT1A-2428-2	2	OUTER DOOR ASSEMBLY 3 PAN RIGHT HAND
-	-	-	-	-	-	-	-	-	-	-	1	-	-	-	AT1A-2428-1	2	OUTER DOOR ASSEMBLY 6 PAN RIGHT HAND
-	-	1	-	-	-	-	-	-	-	-	-	-	-	-	AT1A-2426-8	1	INNER DOOR ASSEMBLY 3 PAN LEFT HAND
1	-	-	-	1	-	-	-	-	-	-	-	-	-	-	AT1A-2426-6	1	INNER DOOR ASSEMBLY 6 PAN LEFT HAND
-	-	-	1	-	-	-	-	-	-	-	-	-	-	-	AT1A-2426-7	1	INNER DOOR ASSEMBLY 3 PAN RIGHT HAND
-	1	-	-	-	-	-	-	-	-	-	-	-	-	-	AT1A-2426-5	1	INNER DOOR ASSEMBLY 6 PAN RIGHT HAND
QTY	QTY	QTY	QTY	QTY	QTY	QTY	QTY	QTY	QTY	QTY	QTY	QTY	QTY	QTY	PART NUMBER	ITEM	DESCRIPTION
1	1	1	1	1	1	1	1	1	1	1	1	1	1	1			

AccuSens Products, Inc.  
4814 N. Center Park,  
Fort Wayne, IN 46825

DOOR ASSEMBLY

E AT1A-2912 E

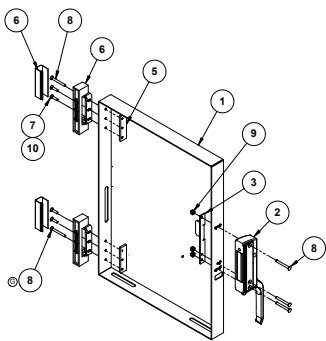
Sheet 1 of 1

# Outer Door Assembly

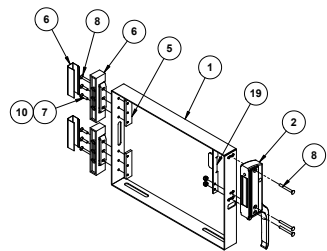
MP4007-1106

STEAM'N'HOLD™

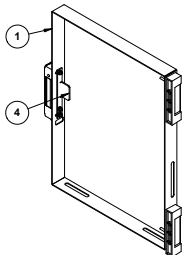
PAGE 21



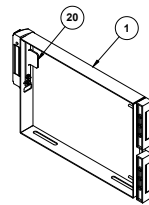
AT1A-2428-1 & AT1A-2428-5  
OUTER DOOR ASSEMBLY 6 PAN RIGHT HAND



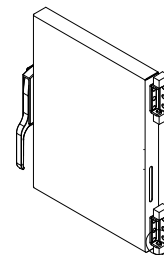
AT1A-2428-2  
OUTER DOOR ASSEMBLY 3 PAN RIGHT HAND



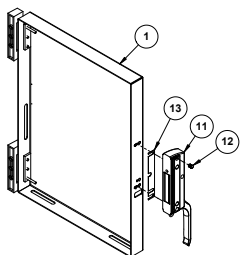
AT1A-2428-3 & AT1A-2428-6  
OUTER DOOR ASSEMBLY 6 PAN LEFT HAND  
(SAME AS -1, EXCEPT AS SHOWN)



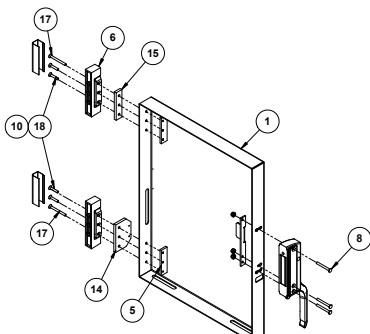
AT1A-2428-4  
OUTER DOOR ASSEMBLY 3 PAN LEFT HAND  
(SAME AS -2 EXCEPT AS SHOWN)



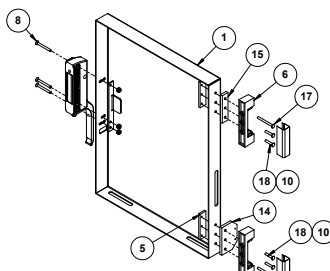
DETAIL A  
SCALE 1 : 1  
TYP HINGE MOUNTING  
FOR AT1A-2428-1, -3, -5, -6, -7, -12 & -13



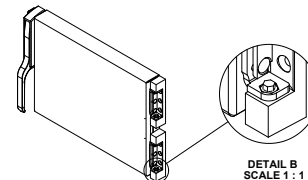
AT1A-2428-7  
OUTER DOOR ASSEMBLY 6 PAN RIGHT HAND  
(SAME AS -1, EXCEPT AS SHOWN)



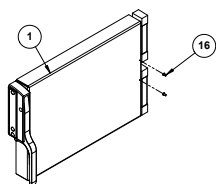
AT1A-2428-8  
OUTER DOOR ASSEMBLY 6 PAN RIGHT HAND  
(SAME AS -1, EXCEPT AS SHOWN)



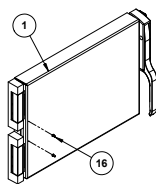
AT1A-2428-9  
OUTER DOOR ASSEMBLY 6 PAN LEFT HAND  
(SAME AS -3, EXCEPT AS SHOWN)



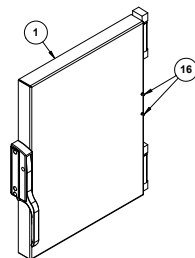
DETAIL B  
SCALE 1 : 1  
TYP HINGE MOUNTING  
FOR AT1A-2428-2, -4, -8, -9, -10 & -11



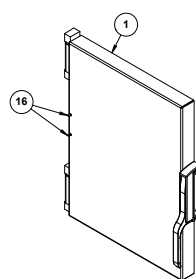
AT1A-2428-10  
OUTER DOOR ASSEMBLY 3 PAN RIGHT HAND  
(SAME AS -2, EXCEPT AS SHOWN)



AT1A-2428-11  
OUTER DOOR ASSEMBLY 3 PAN LEFT HAND  
(SAME AS -4, EXCEPT AS SHOWN)



AT1A-2428-12  
OUTER DOOR ASSEMBLY 6 PAN LEFT HAND  
(SAME AS -1, EXCEPT AS SHOWN)



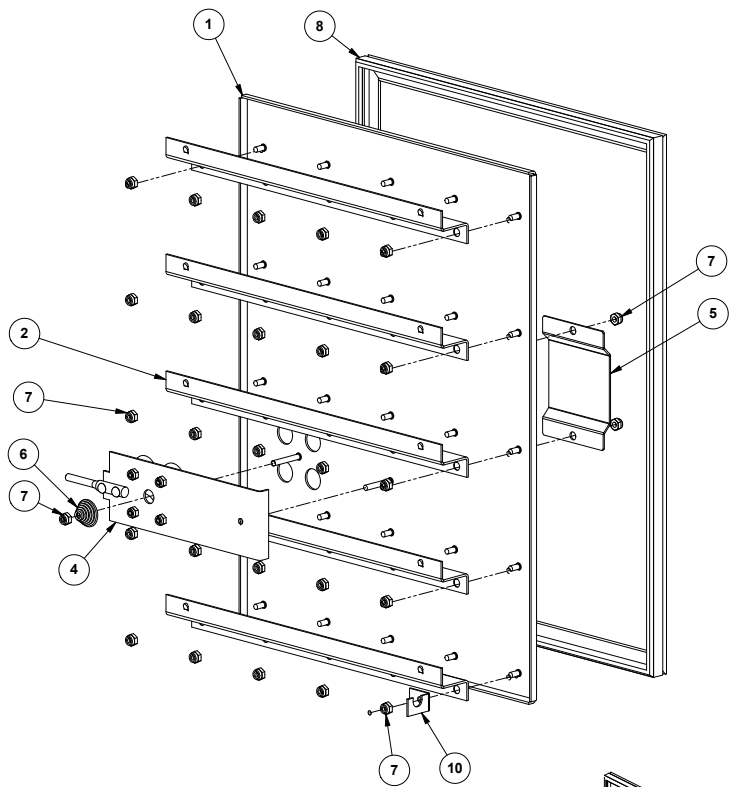
AT1A-2428-13  
OUTER DOOR ASSEMBLY 6 PAN LEFT HAND  
(SAME AS -3, EXCEPT AS SHOWN)

-	-	1	-	-	-	-	-	1	-	-	-	-	-	-	-	AT1M-3046-4	20	LATCH MOUNTING PLATE 3 PAN LEFT HAND
-	-	-	1	-	-	-	-	-	-	-	1	-	-	-	-	AT1M-3046-3	19	LATCH MOUNTING PLATE 3 PAN RIGHT HAND
-	-	-	-	4	4	-	-	-	-	-	-	-	-	-	-	ATOF-2061-41080	18	SCREW, #10-24 x 1" FLAT HD MACHINE
-	-	-	-	-	2	2	-	-	-	-	-	-	-	-	-	ATOF-2061-41160	17	SCREW, #10-24 x 2" FLAT HD MACHINE
2	2	2	2	-	-	-	-	-	-	-	-	-	-	-	-	ATOF-1016-21020	16	#6-32 x 1/4 FL STUD
-	-	-	-	1	1	-	-	-	-	-	-	-	-	-	-	AT1M-3065-2	15	SPACER HINGE
-	-	-	-	-	1	1	-	-	-	-	-	-	-	-	-	AT1M-3449-2	14	PLATE, MOUNTING HINGE HOLD OPEN
-	-	-	-	-	-	1	-	-	-	-	-	-	-	-	-	AT1M-3523-1	13	SPACER, LATCH
-	-	-	-	-	-	-	1	-	-	-	-	-	-	-	-	ATOF-3537-1	12	BARBED PUSH FASTENER
-	-	-	-	-	-	-	-	1	-	-	-	-	-	-	-	AT1A-3536-1	11	LATCH HANDLE ASSEMBLY, INTERIM
AR	AR	AR	AR	AR	AR	AR	AR	AR	AR	AR	AR	AR	AR	AR	AR	ATOH-3065-3	10	THREAD LOCKER 248
3	3	3	3	3	3	3	3	3	3	3	3	3	3	3	3	ATOF-2691-41011	9	NUT, #10-24 WAXED NYLOC
5	5	5	5	5	5	5	5	5	5	5	5	5	5	5	5	ATOF-2061-41140	8	SCREW, #10-24 x 1 1/2" FLAT HD MACHINE
-	-	-	-	-	-	-	-	5	5	-	-	-	-	-	-	ATOF-3480-41160	8	SCREW, #10-24 x 2" DRL. SPAN FLT HD MACH
-	-	-	-	-	-	-	-	-	4	4	-	-	-	-	-	ATOF-3480-41056	7	SCREW, #10-24 x 3/4" DRL. SPAN FLT HD MACH
4	4	4	4	-	-	-	4	-	-	4	4	4	4	4	4	ATOF-2061-41060	7	SCREW, #10-24 x 3/4" FLAT HD MACHINE
2	2	2	2	2	2	2	2	2	2	2	2	2	2	2	2	AT1H-2058-3	6	HINGE, STEAMER DOOR
2	2	2	2	2	2	2	2	2	2	2	2	2	2	2	2	AT1M-2689-1	5	HINGE MOUNTING PLATE
1	-	-	-	1	-	-	1	-	-	1	-	-	1	-	-	AT1M-3046-2	4	LATCH MOUNTING PLATE 6 PAN LEFT HAND
-	1	-	-	-	1	1	1	-	1	-	-	1	-	-	1	AT1M-3046-1	3	LATCH MOUNTING PLATE 6 PAN RIGHT HAND
1	1	1	1	1	1	1	1	1	1	1	1	1	1	1	1	AT1A-3447-1	2	LATCH HANDLE ASSEMBLY
-	-	1	-	-	-	-	-	-	-	-	-	-	-	-	-	AT1M-2434-4	1	OUTER DOOR PANEL 3 PAN LEFT HAND
1	-	-	1	-	-	-	1	-	-	1	-	-	1	-	-	AT1M-2434-3	1	OUTER DOOR PANEL 3 PAN LEFT HAND
-	-	-	1	-	-	-	-	-	-	-	-	-	1	-	-	AT1M-2434-2	1	OUTER DOOR PANEL 3 PAN RIGHT HAND
-	1	-	-	-	1	1	-	1	-	-	-	1	-	-	1	AT1M-2434-1	1	OUTER DOOR PANEL 6 PAN RIGHT HAND
AT1A-2428-13	-	-	-	-	-	-	-	-	-	-	-	-	-	-	-			Description
AT1A-2428-12	-	-	-	-	-	-	-	-	-	-	-	-	-	-	-			
AT1A-2428-11	-	-	-	-	-	-	-	-	-	-	-	-	-	-	-			
AT1A-2428-10	-	-	-	-	-	-	-	-	-	-	-	-	-	-	-			
AT1A-2428-9	-	-	-	-	-	-	-	-	-	-	-	-	-	-	-			
AT1A-2428-8	-	-	-	-	-	-	-	-	-	-	-	-	-	-	-			
AT1A-2428-7	-	-	-	-	-	-	-	-	-	-	-	-	-	-	-			
AT1A-2428-6	-	-	-	-	-	-	-	-	-	-	-	-	-	-	-			
AT1A-2428-5	-	-	-	-	-	-	-	-	-	-	-	-	-	-	-			
AT1A-2428-4	-	-	-	-	-	-	-	-	-	-	-	-	-	-	-			
AT1A-2428-3	-	-	-	-	-	-	-	-	-	-	-	-	-	-	-			
AT1A-2428-2	-	-	-	-	-	-	-	-	-	-	-	-	-	-	-			
AT1A-2428-1	-	-	-	-	-	-	-	-	-	-	-	-	-	-	-			
<b>PART NUMBER</b> <b>ITEM NO.</b> <b>Description</b>																		
-----																		
<b>OUTER DOOR ASSEMBLY</b>																		

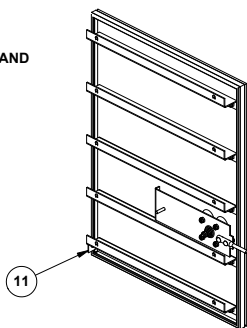
# Inner Door Assembly

MP4007-1106

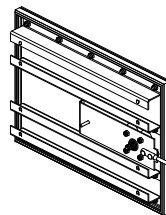
STEAM'N'HOLD™



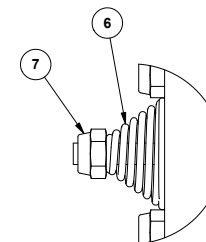
AT1A-2426-1  
INNER DOOR ASSEMBLY 6 PAN RIGHT HAND



AT1A-2426-3  
INNER DOOR ASSEMBLY 6 PAN LEFT HAND  
(SAME AS -1 EXCEPT AS SHOWN)



AT1A-2426-4  
INNER DOOR ASSEMBLY 3 PAN LEFT HAND  
(SAME AS -2 EXCEPT AS SHOWN)



NUT (ITEM #6) TOP SURFACE TO BE FLUSH PLUS 1 1/2 ± 1/4 TURNS WITH WELD STUD END

4	4	-	-	-	-	-	-	ATOF-1052-53000	18	WASHER 1/4 PLAIN CUSTOM
4	4	4	4	-	-	-	-	AT1M-3653-1	17	SPRING, INNER DOOR
8	8	8	8	-	-	-	-	ATOF-3368-2	16	BLIND RIVET
-	-	-	-	-	-	-	-	-	15	-
-	-	2	2	-	-	-	-	AT1M-3524-1	14	RETAINER, SIDE DOOR GASKET
2	2	2	2	-	-	-	-	AT1M-3508-1	13	RETAINER, DOOR GASKET
2	2	2	2	-	-	-	-	AT1M-3507-1	12	RETAINER, SIDE SMALL DOOR GASKET
1	1	1	1	-	-	-	-	AT1M-3466-2	11	BRACKET, DOOR
1	1	1	1	-	-	-	-	AT1M-3466-1	10	BRACKET, DOOR
1	1	-	-	-	-	-	-	AT1G-2633-2	9	INNER DOOR GASKET (3 PAN)
-	-	1	1	-	-	-	-	AT1G-2633-1	8	INNER DOOR GASKET (6 PAN)
22	22	28	28	22	22	22	22	ATOF-2691-41011	7	NUT, #10-24 WAXED NYLOC
1	1	1	1	1	1	1	1	AT1H-2046-1	6	COMPRESSION SPRING
1	1	1	1	1	1	1	1	AT1M-3045-1	5	VALVE COVER
1	1	1	1	1	1	1	1	AT1A-2427-1	4	VALVE BRACKET ASSY.
2	2	2	2	-	-	-	-	AT1M-2424-3	3	Z BRACKET, INNER DOOR
1	1	3	3	4	4	4	4	AT1M-2424-2	2	Z BRACKET, INNER DOOR
1	-	-	-	-	-	-	-	AT1A-2687-8	1	INNER DOOR WELDMENT 3 PAN LEFT HAND
-	1	-	-	-	-	-	-	AT1A-2687-7	1	INNER DOOR WELDMENT 3 PAN RIGHT HAND
-	-	1	-	-	-	-	-	AT1A-2687-6	1	INNER DOOR WELDMENT 6 PAN LEFT HAND
-	-	-	1	-	-	-	-	AT1A-2687-5	1	INNER DOOR WELDMENT 6 PAN RIGHT HAND
-	-	-	-	-	-	-	-	AT1A-2687-4	1	INNER DOOR WELDMENT 3 PAN LEFT HAND
-	-	-	-	-	-	-	-	AT1A-2687-3	1	INNER DOOR WELDMENT 6 PAN LEFT HAND
-	-	-	-	-	-	-	-	AT1A-2687-2	1	INNER DOOR WELDMENT 3 PAN RIGHT HAND
-	-	-	-	-	-	-	-	AT1A-2687-1	1	INNER DOOR WELDMENT 6 PAN RIGHT HAND
QTY	QTY	QTY	QTY	QTY	QTY	QTY	QTY	PART NUMBER	ITEM NO.	Description
AT1A-2426-8	AT1A-2426-7	AT1A-2426-6	AT1A-2426-5	AT1A-2426-4	AT1A-2426-3	AT1A-2426-2	AT1A-2426-1			
-	-	-	-	<b>OBSELETE</b>	<b>OBSELETE</b>	<b>OBSELETE</b>	<b>OBSELETE</b>			

AccuTemp Products, Inc.  
8413 N. Clinton Park  
Fort Wayne, IN 46825

AccuTemp  
Title: INNER DOOR ASSEMBLY  
QUICK RELEASE  
Drawing No.: AT1A-2426 Rev. F  
Sheet 1 of 3

PAGE 22

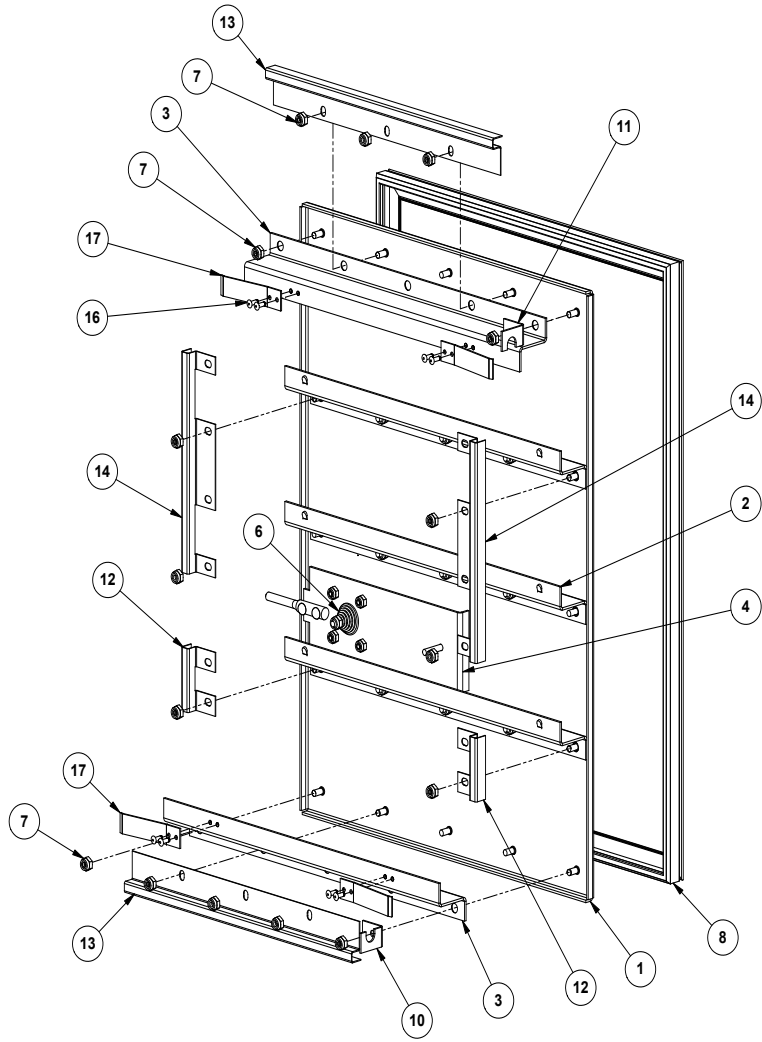
# Inner Door Assembly

MP4007-1106

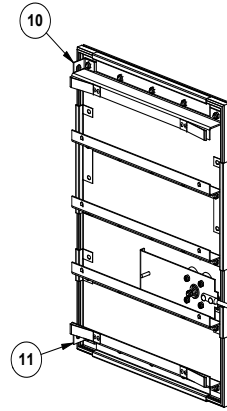
STEAM'N'HOLD™

PAGE 23

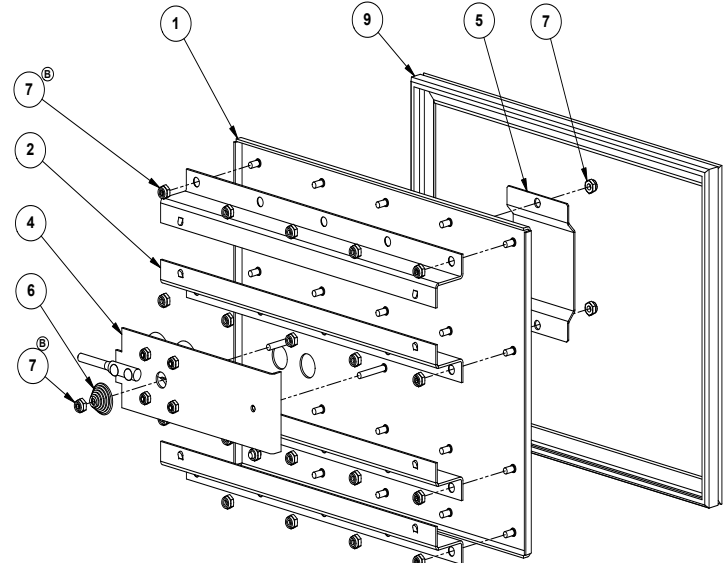
**NOTE:**  
1. PUSH ITEMS 12, 13 AND 14 UP AGAINST THE DOOR GASKET BEFORE TIGHTENING HOLD-DOWN NUTS.



**AT1A-2426-5**  
INNER DOOR ASSEMBLY 6 PAN RIGHT HAND  
OTHERWISE SAME AS AT1A-2426-1



**AT1A-2426-6**  
INNER DOOR ASSEMBLY 6 PAN LEFT HAND  
OTHERWISE SAME AS AT1A-2426-5



**AT1A-2426-2**  
INNER DOOR ASSEMBLY 3 PAN RIGHT HAND



AccuTemp Products, Inc.  
8415 N. Clinton Park  
Fort Wayne, IN 46825

**INNER DOOR ASSEMBLY**  
**QUICK RELEASE**

**AT1A-2426** Rev. **F**

Sheet 2 of 3

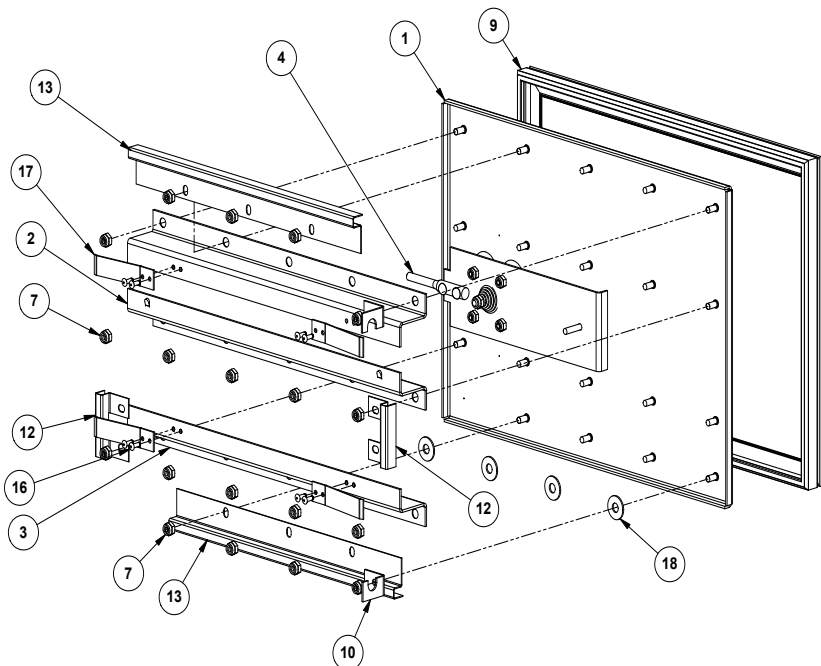


# Inner Door Assembly

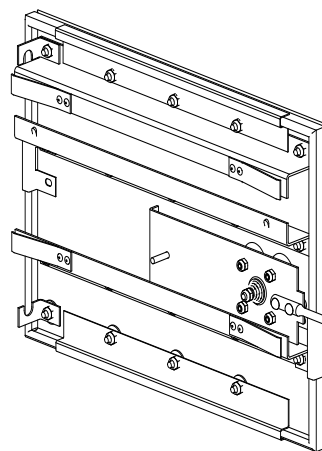
MP4007-1106

STEAM'N'HOLD™

PAGE 24



AT1A-2426-7  
INNER DOOR ASSEMBLY 3 PAN RIGHT HAND



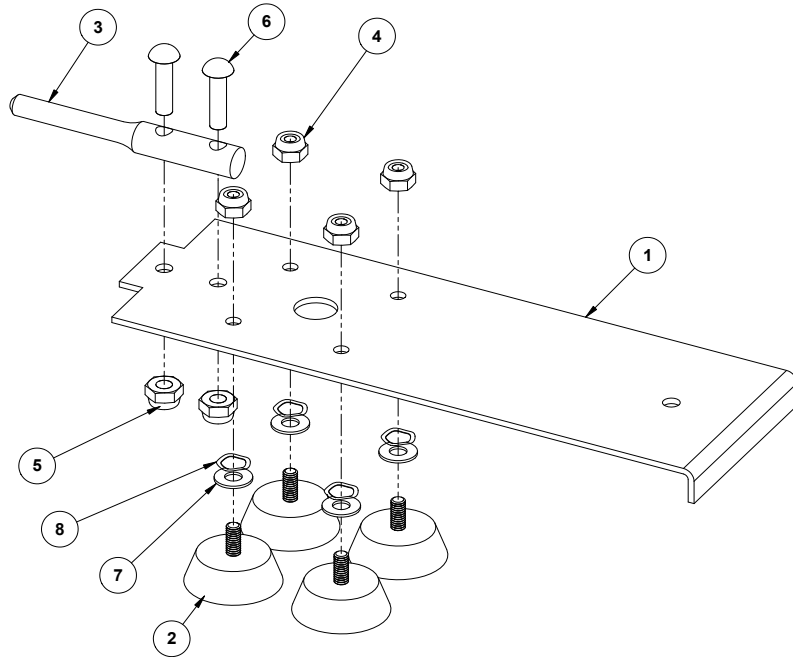
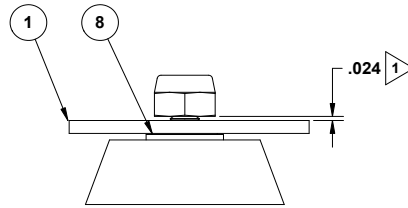
AT1A-2426-8  
INNER DOOR ASSEMBLY 3 PAN LEFT HAND

# Valve Bracket Assembly

MP4007-1106

STEAM'N'HOLD™

PAGE 25



**AT1A-2427-1**

**RAT1K-1830  
VALVE REPLACEMENT KIT  
INCLUDES:  
ITEM 2 (QTY 4)  
ITEM 4 (QTY 4)  
ITEM 7 (QTY 4)  
ITEM 8 (QTY 4)  
ITEM 7 PAGE 22 INNER DOOR  
ASSY (QTY1)**

4	AT0F-3668-1	8	WASHER, WAVE
4	AT0F-1052-43010	7	WASHER, #10 TYPE B CUSTOM
2	AT0F-2755-41060	6	SCREW, #10-24UNC X 3/4 PHILIPS ROUND HEAD MACHINE
2	AT0F-2691-41011	5	NUT, #10-24 WAXED NYLOC
4	AT0F-2691-31011	4	NUT, #8-32 WAXED NYLOC
1	AT1M-2734-1	3	DOOR PIN, QUICK RELEASE
4	AT1G-1830-1	2	SEAL, QUICK RELEASE DOOR
1	AT1M-2430-1	1	VALVE BRACKET, QUICK REL. DOOR
AT1A-2427-1/QTY.	PART NO.	ITEM	DESCRIPTION

 AccuTemp Products, Inc.  
9415 N. Clinton Park  
Fort Wayne, IN 46825

**VALVE BRACKET ASSY.**

**AT1A-2427 D**

Rev.  
D  
Sheet 1 of 1

# Parts List

PART NUMBER	DESCRIPTION	PAGE
AT0A-2736-1	MOV TERMINALS ASSEMBLY	4-6
AT0A-2736-2	MOV TERMINALS ASSEMBLY	4-6
AT0A-2788-10	Power Cable Assembly	4-6
AT0A-2788-13	Power Cable Assembly	4-6
AT0A-2788-14	Power Cable Assembly	4-6
AT0A-2788-20	Power Cable Assembly	4-6
AT0A-2788-21	Power Cable Assembly	4-6
AT0A-2788-4	Power Cable Assembly	4-6
AT0A-2788-5	Power Cable Assembly	4-6
AT0A-2788-6	Power Cable Assembly	4-6
AT0A-2788-8	Power Cord Assembly	4-6
AT0A-2788-9	Power Cable Assembly	4-6
AT0E-1051-2	Plug - NEMA 15-50P	Not Shown
AT0E-1051-3	Plug - NEMA L6-30P	Not Shown
AT0E-1051-4	Plug - NEMA 15-30P	Not Shown
AT0E-1051-4	Plug -3P 4W 30 Amp - NEMA 15-30P	Not Shown
AT0E-1051-4	Plug -3P 4W 30 Amp - NEMA 15-30P	Not SHown
AT0E-1051-5	Plug - NEMA L16-20P	Not Shown
AT0E-1051-6	Plug - NEMA 6-50 P	Not Shown
AT0E-1051-7	Plug - NEMA L16-30P	Not Shown
AT0E-1134-6	6 Position Terminal Block	10
AT0E-1587-1	3 Pole Contactor, 208/240	10
AT0E-1800-4	Pilot Lamp Unit, 208/240V (Green)	11,13-16
AT0E-1800-5	Pilot Lamp Unit, 208/240V (Red)	11,13-16
AT0E-1800-6	Pilot Lamp Unit, 208/240V (Amber)	11,13-16
AT0E-2059-3	Solid State Relay	8
AT0E-2297-1	Timer, 90 Minute	10
AT0E-2297-2	Timer, 180 Minute	10
AT0E-2559-2	AC Thermostat, Calibrated (100-200 F)	11,13-16
AT0E-2662-1	Transformer	7
AT0E-2708-2	Fuse Block, Four Position (small style)	7
AT0E-2731-1	Fuse, Slo-Blo 3 Amp	7
AT0E-2731-3	Fuse 1/2 Amp 250V	7
AT0E-2825-4	Control Relay, 208/240v 3PDT (replaces 1, 2 &3)	7,17
AT0E-2996-1	Solid State Relay - Heat Sink Pad	Not Shown
AT0E-3230-1	PCB, Autofill Water Board Sensor	7
AT0E-3234-1	Sensor Magnetic Reed Switch -Autofill	15-16
AT0E-3336-2	Rotary Switch	11,13-16
AT0E-3337-2	Pushbutton, Off	11,13-16
AT0E-3338-1	On Contact Block	11,13-16
AT0E-3338-2	Contact, Pushbutton Off	11,13-16
AT0E-3339-1	Mounting Latch Locking Ring	11,13-16

# Parts List

<b>PART NUMBER</b>	<b>DESCRIPTION</b>	<b>PAGE</b>
AT0E-3384-1	Connector, Strain Relief 3/4 NPT Liquid Tight	4-6
AT0E-3654-3	Alarm, Piezo Electric	7
AT0E-3661-1	Thermocouple	11,13-16
AT0F-3371-1	Nut, Rotary Shaft Seal	10
AT0F-3401-1	Special Locking Nut, 1/4-20 UNC	4-6
AT0H-1455-2	Thermostat/Timer Repl. Knob-soft grip	10
AT0H-2614-1	Vacuum Gauge 2"	11,13-16
AT0H-2829-1	Thomas Pump EPDM Diaphragm	Not Shown
AT0H-3040-1	Rubber Foot Tip (Cooker)	18
AT0H-3412-2	Thermal Paste, Wakefield	9
AT0H-3544-1	Lens, 2" gauge	Not Shown
AT0H-3641-1	Washer, 1 1/4x1 Reducing	4-6
AT0H-3828-1	Thomas Pump Teflon Diaphragm Liner	Not Shown
AT0P-2628-1	Elbow, 90 Fitting 1/4 NTPM to 1/4Hose Barb	17
AT0P-2628-2	Elbow, 90 Fitting 1/4 NTPM to 1/2 Hose Barb	17
AT0P-2714-1	Hose Clamp 1/4" ID	11,13-17
AT0P-2714-5	Hose Clamp 1/2" ID	11,13-17
AT0P-2714-7	Hose Clamp .500 O.D. Hose	11,13-17
AT0P-2987-2	Nylon Tee - Barbed 1/2x1/2x1/2	11,13-16
AT0P-3509-1	Water Valve Control, Autofill only	15-16
AT0P-3616-1	90 Degree Hose Barb 1/2 X 1/4	11,13-16
AT0P-3833-32000	Hose, Silicone (1/4") per foot	Not Shown
AT0P-3833-63000	Hose, Silicone (1/2") per foot	Not Shown
AT1A-2426-7	S3 Inner Door Assy, RH	23-25
AT1A-2426-8	S3 Inner Door Assy, Left - 3 pan	26
AT1A-2426-5	S6 Inner Door Assy. RH	23-25
AT1A-2426-6	S6 Inner Door Assy. LH	23-25
AT1A-2427-1	Valve Bracket Assy.	23-25
AT1A-2912-1	S6 Door Assembly, RH	21
AT1A-2912-2	S3 Door Assembly, RH	21
AT1A-2912-3	S6 Door Assembly, LH	21
AT1A-3030-1	Leg Assembly Kit, (steamer)	21
AT1A-3303-1	Thermometer, Assembly 2"	11,13-16
AT1A-3447-1	Quick Release Door handle	22
AT1A-3530-1	Cast Heater Kit; 208v 6kw, 230/7.3, 240/8, 380/6.7, 400/7.4, 415/8, 440/9, 480/10.7	9
AT1A-3530-2	Cast Heater Kit; 240k/6kw	9
AT1A-3530-3	Cast Heater Kit; 208v/8kw, 240/10.7, 380/9, 400/10, 415/10.7, 480/14	9
AT1A-3530-4	Cast Heater Kit; 208v/12.0kw, 240/16, 380/13, 400/14.8, 415/16, 440/18	9
AT1A-3530-6	Cast Heater Kit; 208v 10.0kw	9

# Parts List

PART NUMBER	DESCRIPTION	PAGE
AT1A-3530-7	Cast Heater Kit; 208v 17.0kw	9
AT1A-3601-1	S6 Wire Rack Assembly LH	11,13,15
AT1A-3601-2	S3 Wire Rack Assembly	12,14,16
AT1A-3601-3	S6 Wire Rack Assembly RH	11,13,15
AT1A-3853-1	S6 Welded Assembly, Steam Director	11,13,15
AT1A-3853-2	S3 Welded Assembly, Steam Director	12,14,16
AT1E-2647-3	Pressure Switch-All KW	11,13-16
AT1E-2647-4	Pressure Switch - 14KW & Higher	11,13-16
AT1E-2652-1	Probe Water Sensor	11,13-16
AT1E-2653-3	Overtemp switch, Cast htr-watts up to 12 KW	4-6,9
AT1E-2653-4	Overtemp - 14KW and Higher	4-6,9
AT1E-2703-1	Vacuum Pump, Thomas	17
AT1G-2633-1	Gasket, Door S6	23-25
AT1G-2633-2	Gasket, Door S3	23-25
AT1H-2046-1	QRD, Spring Compression	23-25
AT1H-2058-3	Door Hinge (Brass) each	22
AT1L-3658-3	Overlay Operation Instructions	11,13-16
AT1L-3658-4	Overlay, Operating Instructions	11,13-16
AT1L-3708-1	Overlay, Control Panel Steamer - External Thermostat, 90 Minute Timer	10
AT1L-3708-2	Overlay, Control Panel Steamer - External Thermostat, 180 Minute Timer	10
AT1L-3708-3	Overlay, Control Panel Steamer - Internal Thermostat, 90 Minute Timer	10
AT1L-3708-4	Overlay, Control Panel Steamer - Internal Thermostat, 180 Minute Timer	10
AT1M-2573-3	Drip Edge	11,13-6
AT1M-2689-1	Plate, Hinge Backer	22
AT1M-3045-1	QRD Valve Cover	23-25
AT1M-3046-1	Latch Mounting Plate	22
AT1M-3046-2	QRD Latch Backer Plate -LH	22
AT1P-2239-1	Ball Valve (drain)	11,13-16
ATR-CAP	Capacitor	Not Shown
ATR-THA2	Thomas Head	Not Shown
ATR-VP2RA	Thomas Rod & Diaphragm Assy	Not Shown
ATR-VPLV	Vacuum Pump, Leaf Valve	Not Shown
RAT1K-1830	QRD Valve Plate Seal Kit	Not Shown