

# Repair Parts List

MODEL NUMBER

DFS18E

MANUFACTURING  
NUMBER

P1330222M

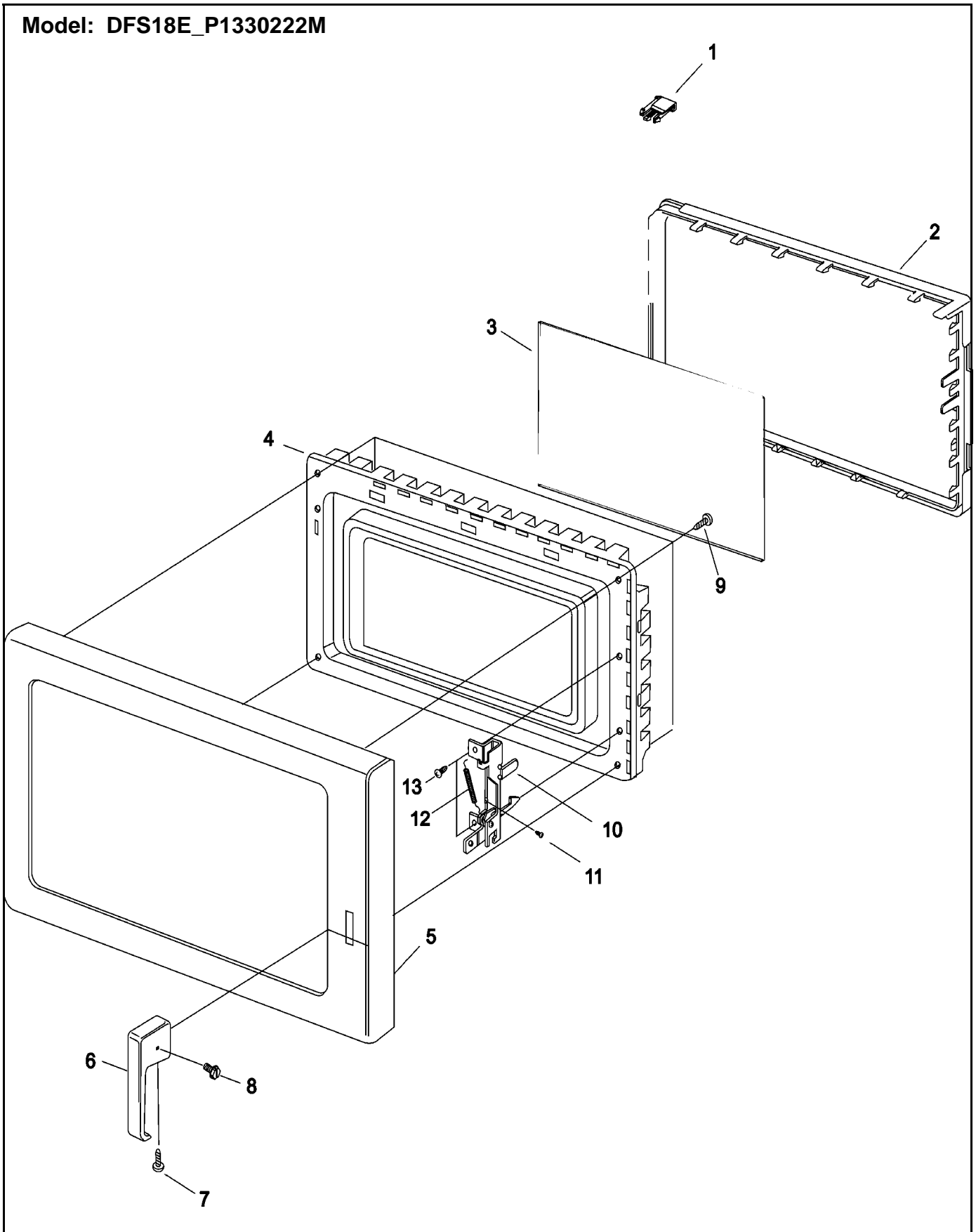
## COMMERCIAL MICROWAVE

When requesting service or ordering parts, always provide the following information:

- Product Type
- Part Number
- Model Number
- Part Description

Section: DOOR

Model: DFS18E\_P1330222M

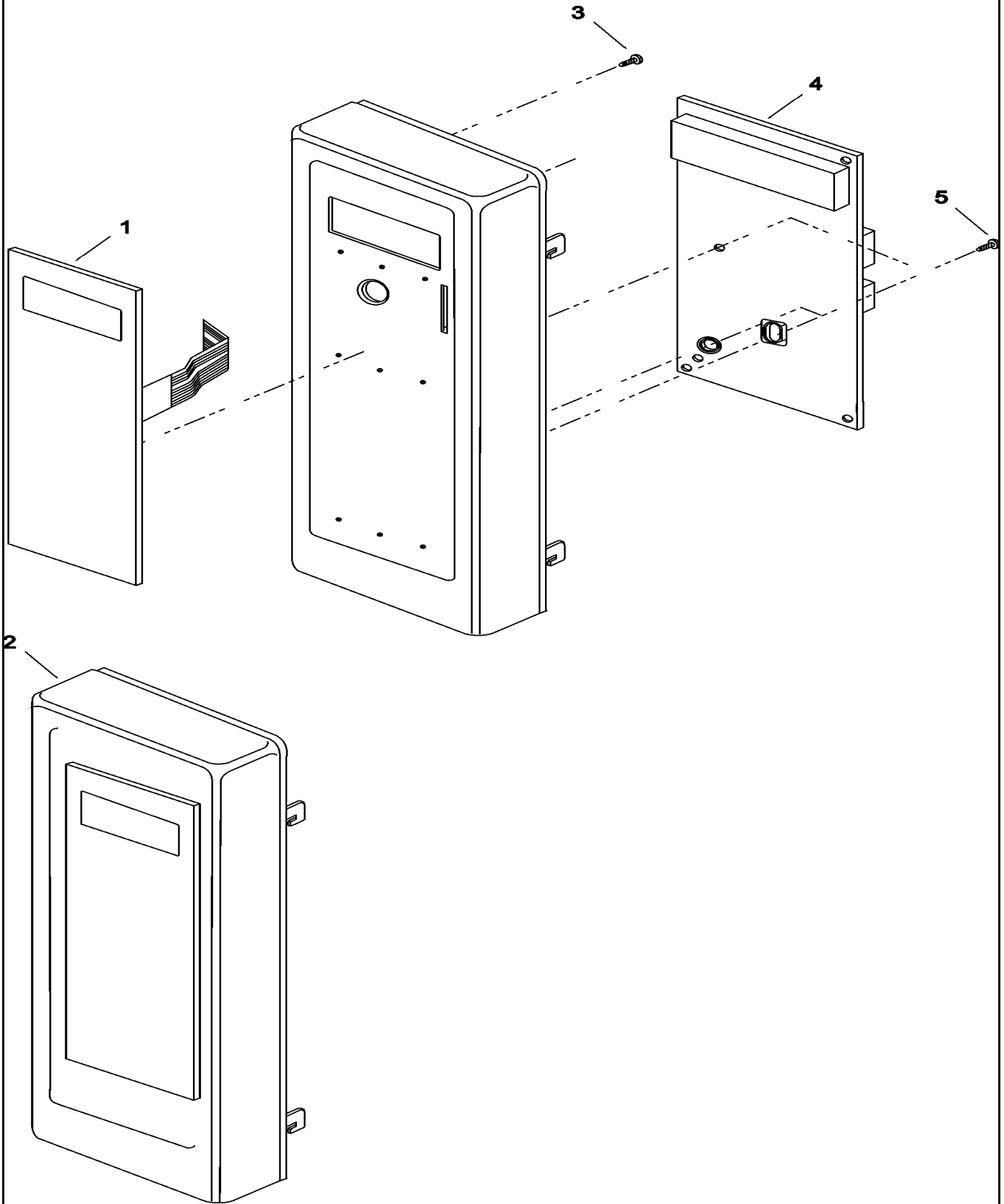


## Section: DOOR

No.	Part No.	Description	Series Qty
1	53001543	CAP, TOP HINGE	1
2	53001572	CHOKE COVER	1
3	13066801	WINDOW, INNER DOOR	1
4	53001778	INNER DOOR WELDMENT	1
5	53001826	ASSY, OUTER DOOR (SS)	1
6	12002453	HANDLE KIT- W/SCREWS & LOCTITE	1
7	53001546	SCREW- HANDLE BOTTOM	1
8	53001547	SCREW- HANDLE SIDE	1
9	R0654030	SCREW, PAN HD S/TAP	4
10	53001779	LATCH	1
11	R0654180	SCREW, PAN HD	1
12	53001780	SPRING	1
13	R0131246	SCREW, TAPPING TRUSS HEAD	2

Section: TIMER AND ESCUTCHEON

Model: DFS18E\_P1330222M

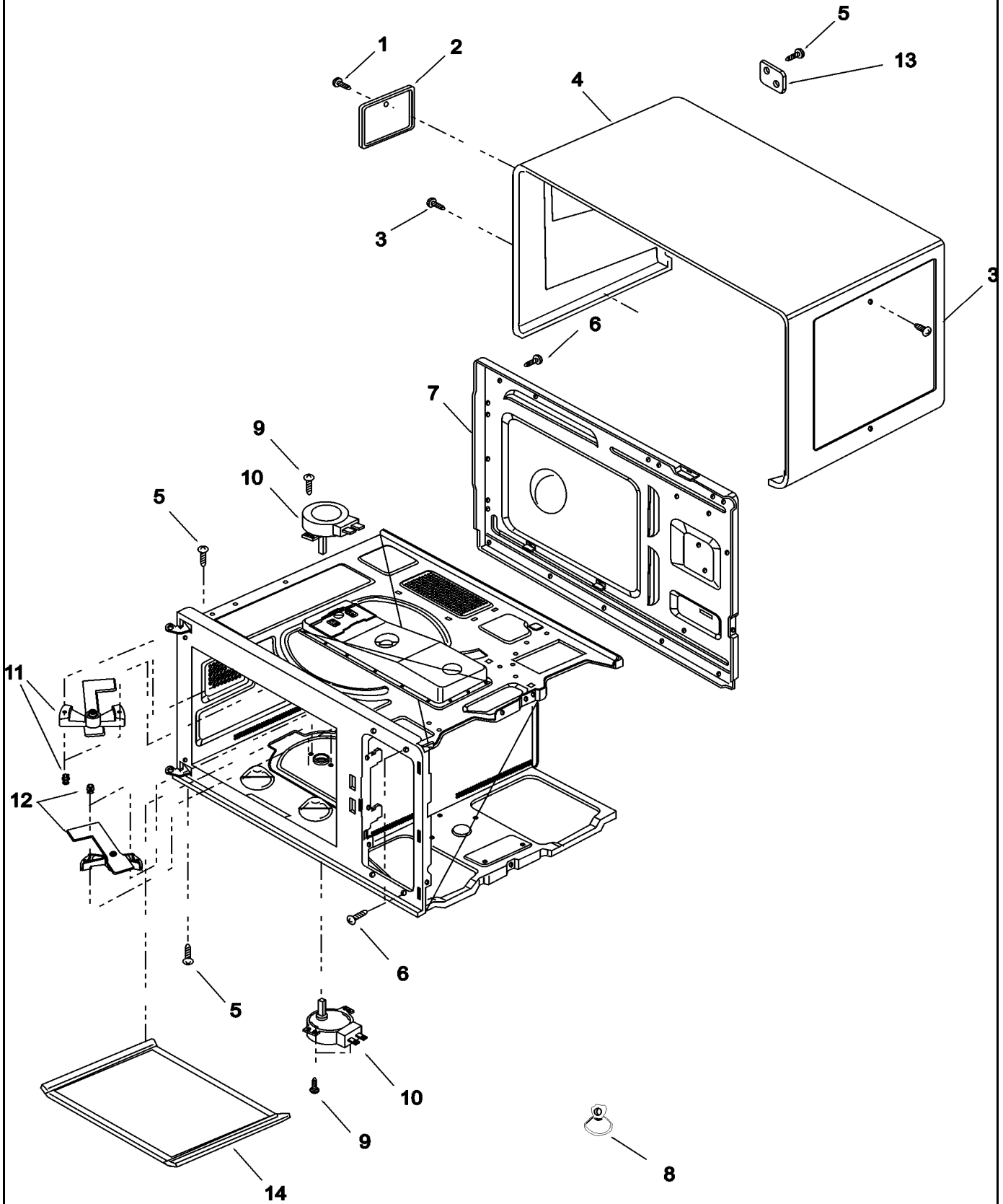


**Section: TIMER AND ESCUTCHEON**

No.	Part No.	Description	Series Qty
1	53001735	TOUCH PANEL	1
2	53001863	ESCUTCHEON/ TOUCH PANEL ASSY	1
3	R0654178	SCREW, SPECIAL D	1
4	53001738	BOARD, HV/LV	1
5	R0654030	SCREW, PAN HD S/TAP	4

Section: ANTENNA, TRAY, OUTERCASE,

Model: DFS18E\_P1330222M

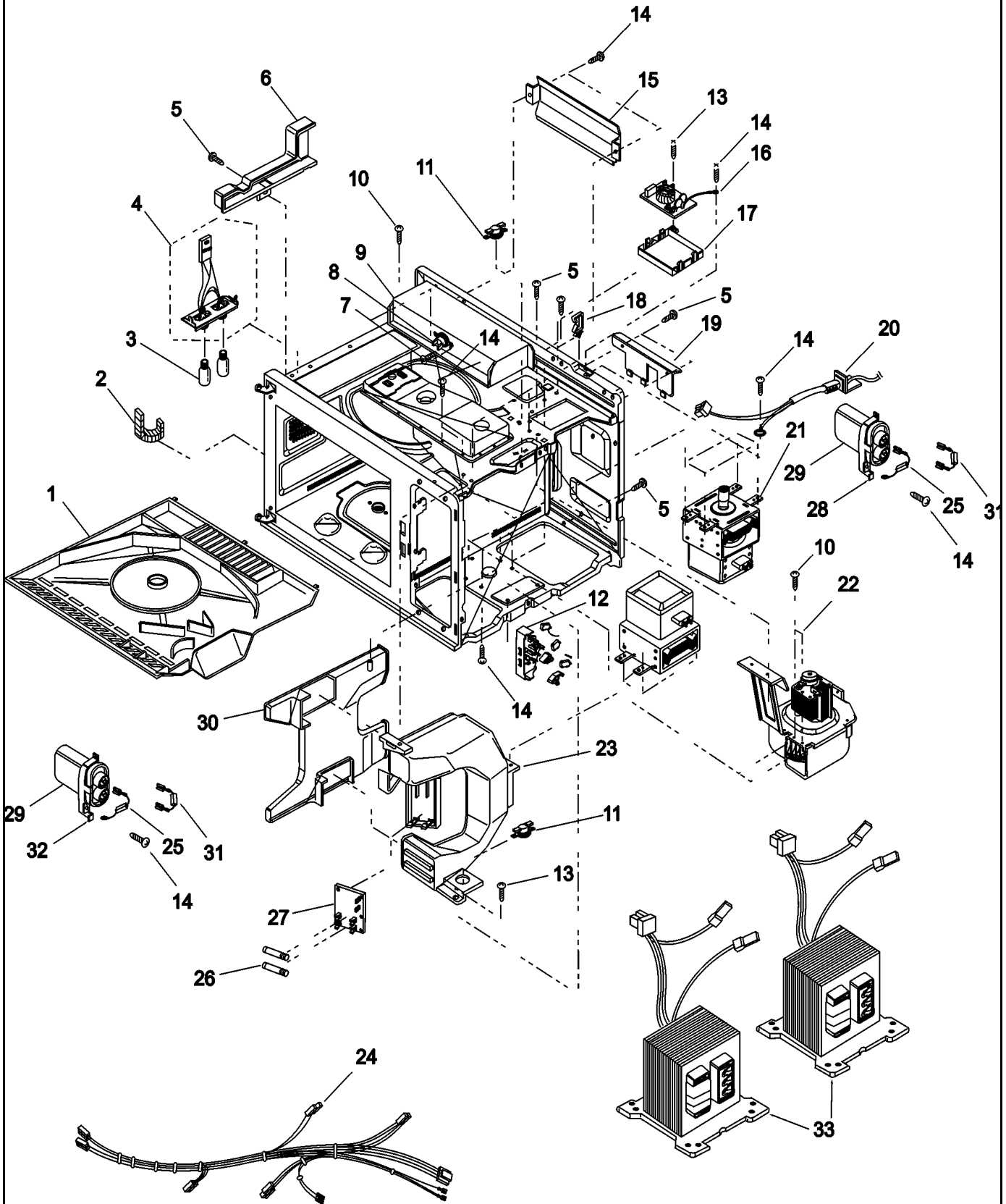


**Section: ANTENNA, TRAY, OUTERCASE,**

No.	Part No.	Description	Series Qty
1	53001609	SCREW TAPPING, COUNTER SUNK HD	1
2	53001579	COVER, LAMP- STAINLESS	1
3	R0654036	SCREW, TRUSS HD S/TAP	4
4	53001577	OUTER CASE- STAINLESS	1
5	R0654183	SCREW, TRUSS HD	9
6	R0131246	SCREW, TAPPING TRUSS HEAD	8
7	53001739	BACK PLATE	1
8	59001235	SUCTION CUP- FOR TRAY REMOVAL	1
9	R0654180	SCREW, PAN HD	4
10	53001723	MOTOR, ANTENNA 220-240V 50HZ	2
11	12002592	KIT- ANTENNA TOP	1
-	53001554	RIVET ASSEMBLY	1
-	53001554	RIVET ASSEMBLY	1
12	12002593	KIT- ANTENNA BOTTOM	1
13	53001619	BRACKET, STACKING	1
14	53001555	TRAY, CERAMIC	1

Section: ELECTRICAL, GREASE SHIELD, DUCTS,

Model: DFS18E\_P1330222M



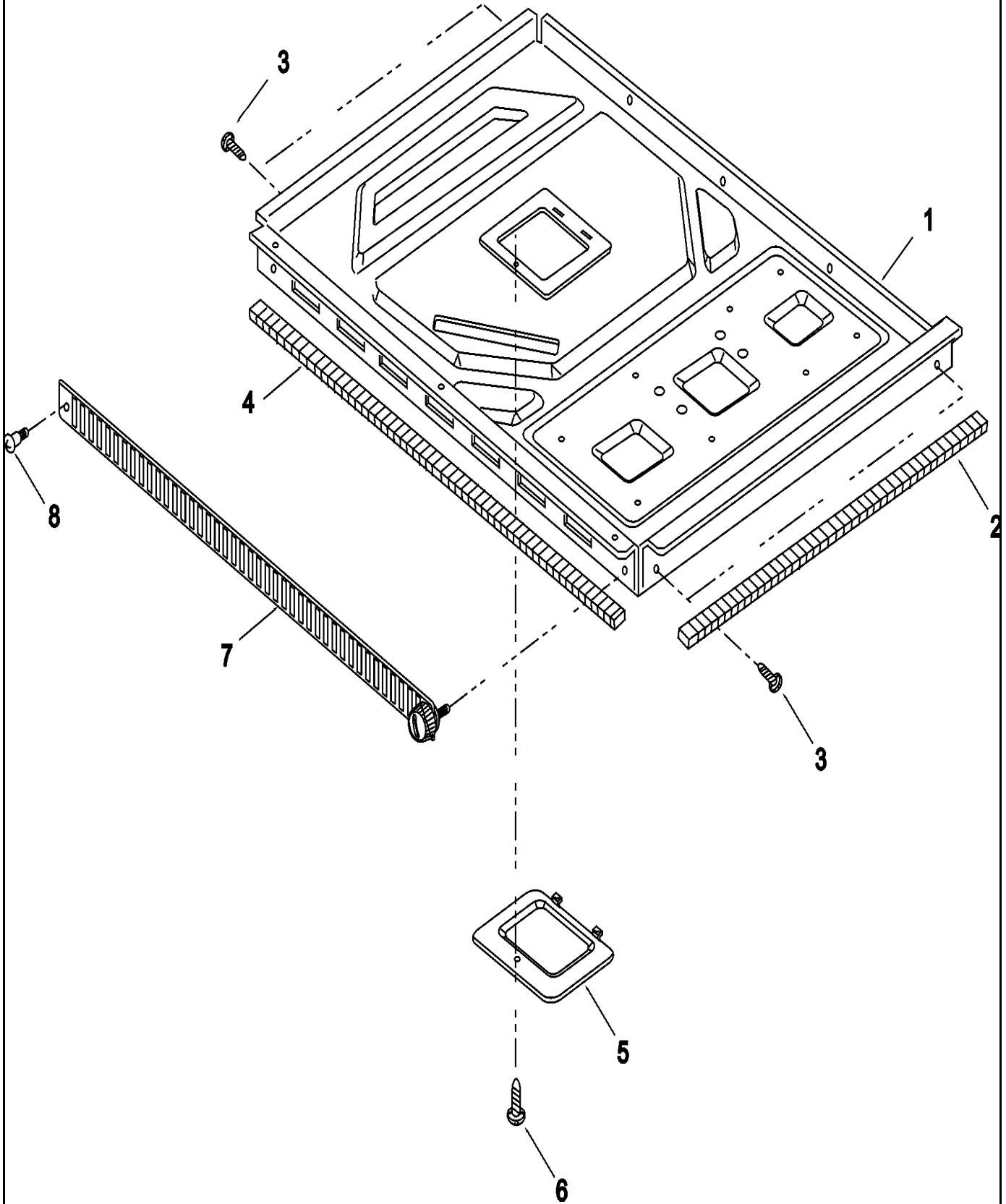


**Section: ELECTRICAL, GREASE SHIELD, DUCTS,**

No.	Part No.	Description	Series Qty
1	53001588	DUCT, GREASE SHIELD	1
2	53001610	GASKET	1
3	53001590	LAMP	2
4	53001591	LAMP SOCKET / BRACKET ASSY	1
5	R0131246	SCREW, TAPPING TRUSS HEAD	5
6	53001592	DUCT, EXHAUST- LEFT	1
7	R0654030	SCREW, PAN HD S/TAP	1
8	53001561	THERMAL CUT OUT- CAVITY	1
9	53001559	DUCT, OUTLET-TOP	1
10	R0654180	SCREW, PAN HD	2
11	53001560	THERMAL CUT OUT- MAGNETRON	2
12	53001600	INTERLOCK SWITCH ASSY	1
13	R0654183	SCREW, TRUSS HD	4
14	R0654028	SCREW, BINING HD S/TAP	6
15	53001620	AIR DEFLECTOR	1
16	53001740	FILTER ASSEMBLY (CIRC), NOISE	1
17	53001741	SUPPORTER, NOISE FILTER	1
18	R9800440	HOLDER- WIRING	1
19	53001621	COVER, POWER CORD	1
20	53001742	POWER CORD ASSY	1
21	53001594	MAGNETRON	2
22	53001744	MOTOR ASSY	1
23	53001727	DUCT, MAG.	1
24	53001745	HARNES, MAIN	1
25	R9800486	DIODE- BLACK SLEEVE	1
26	53001666	FUSE- 12 A	2
27	53001746	FUSE HOLDER	1
-	R0654028	SCREW, BINING HD S/TAP	1
28	53001728	BRACKET, CAPACITOR, FRONT	1
29	53001747	CAPACITOR HV	2
30	53001729	DUCT, EXHAUST- RIGHT	2
31	53001725	CABLE ASSY, CIRCUIT PROTECTOR	2
-	R0654183	SCREW, TRUSS HD	1
-	53001724	BRACKET, CAPACITOR, BACK	1
33	53001748	TRANSFORMER-HV	2
-	R0131246	SCREW, TAPPING TRUSS HEAD	4

Section: BASE AND FILTER

Model: DFS18E\_P1330222M



**Section: BASE AND FILTER**

No.	Part No.	Description	Series Qty
1	53001647	BASE PLATE	1
2	53001626	GASKET, BASE- SIDE	1
3	R0654030	SCREW, PAN HD S/TAP	2
4	53001627	GASKET, BASE- FRONT	1
5	53001628	COVER, BASE	1
6	R0131246	SCREW, TAPPING TRUSS HEAD	1
7	53001571	FILTER, AIR- W/THUMB SCREW	1
8	53001629	SCREW, DRAWING	2

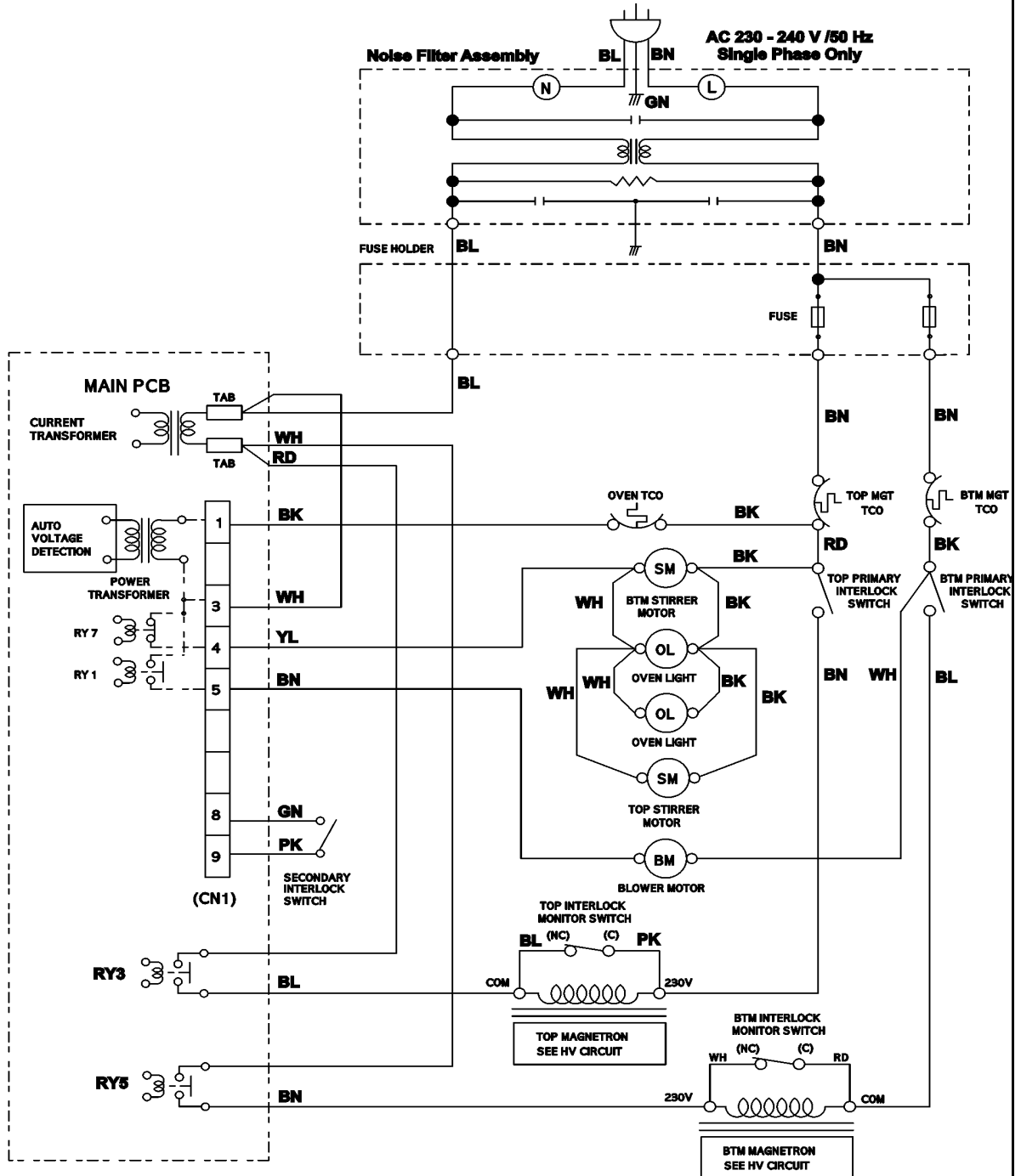
**Section: SUPPLEMENTAL INFORMATION**

No.	Part No.	Description	Series Qty
1	16026086	SVC MAN, INTL COMM MICROWAVE	1
2	N 53001901	USE & CARE	1
3	16026087	TECH SHT, INTL COMM MICROWAVE	1

Section: WIRING INFORMATION

Model: DFS18E\_P1330222M

**BEFORE SERVICING** Discharge the high voltage capacitor by shorting the negative high voltage terminal of it to chassis ground.



NOTE:  
1. DOOR IS OPENED.  
2. WIRE COLOR.

SYMBOL	COLOR
BN	BROWN
WH	WHITE
BK	BLACK
BL	BLUE
YL	YELLOW
PK	PINK
RD	RED
GN	GREEN

