

Repair Parts List

MODEL NUMBER
RC17S

MANUFACTURING
NUMBER
P1329101M

COMMERCIAL MICROWAVE

When requesting service or ordering parts, always provide the following information:

- Product Type
- Part Number
- Model Number
- Part Description

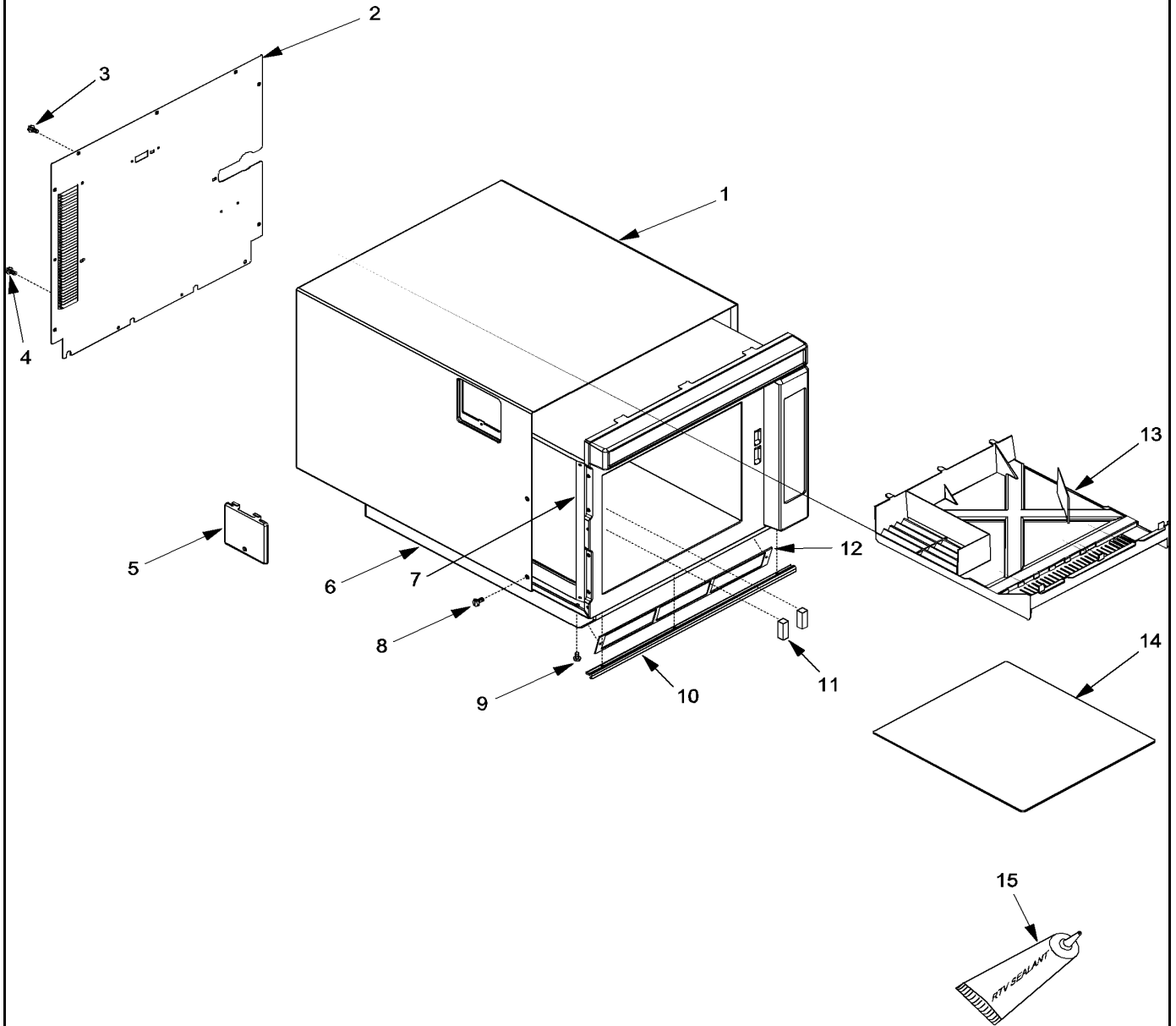
Amana[®]
HIGH PERFORMANCE HAS A NAME™

PART OF  FOODSERVICE GROUP

December 15 2006

Section: TRAY, GREASE SHIELD, CABINET,

Model: RC17S_P1329101M



Section: TRAY, GREASE SHIELD, CABINET,

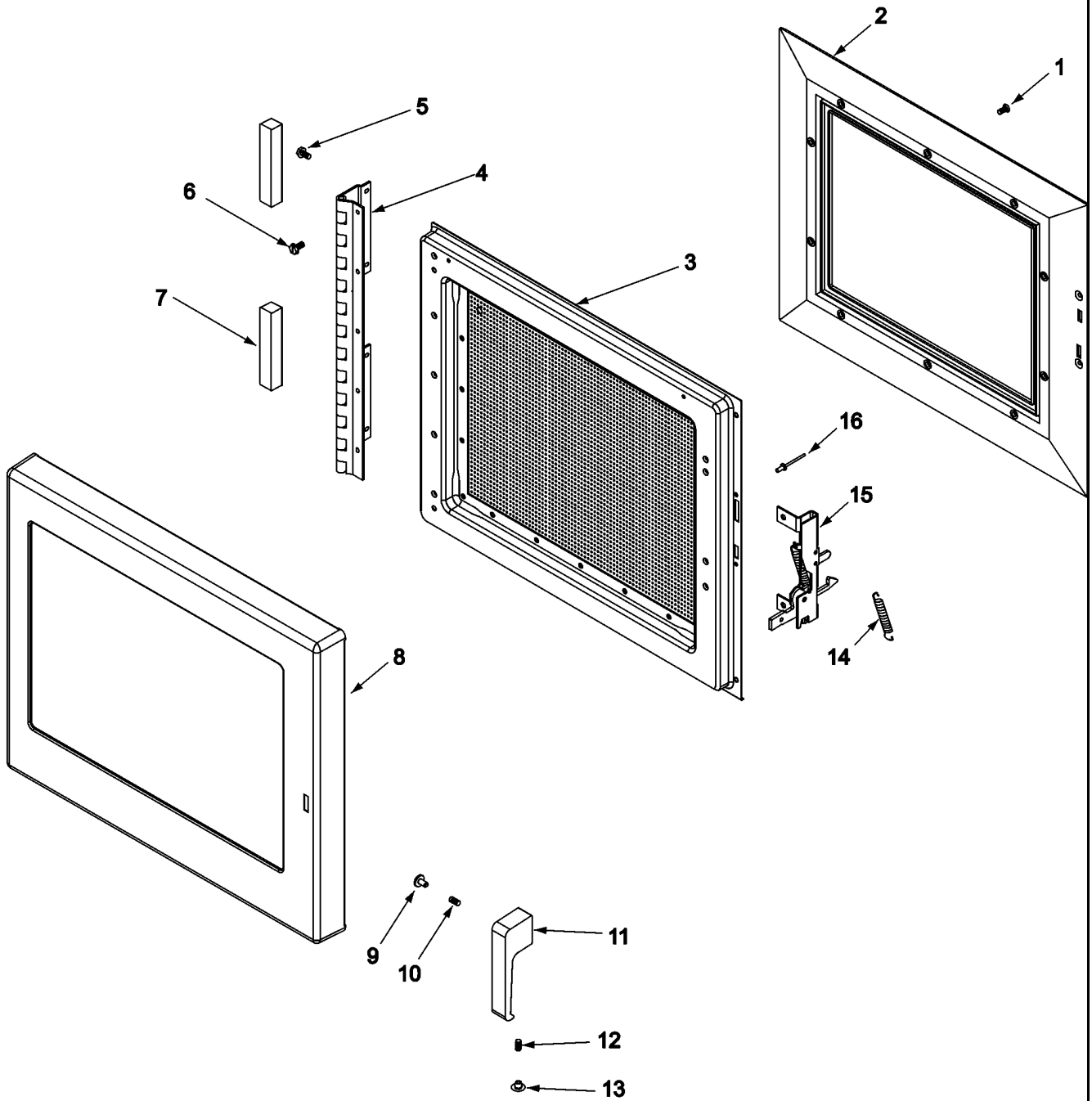
No.	Part No.	Description	Series Qty
1	10908901Q	WRAPPER-OC (SS)	1
2	R0156970	ASSY, ACCESS PANEL (REAR)	1
3	M0216703	SCREW ***	12
4	M0216716	SCREW	3
5	10785608	COVER LIGHT (SS)	1
-	M0249632	SCREW, T F	1
- N	M0288213	CLIP	1
6	59001130	ASSY, BASE PAN	1
7	12189003	BRACKET,HINGE SUPPORT	1
-	M0231717	SCREW, TF	2
8	M0249632	SCREW, T F	4
9	M0220417	SCREW	6
-	M0249632	SCREW, T F	3
10 N	10909001	TRIM-OC (BRUSHED)	1
11	3010003001	SUPPORT-TRAY	2
12	10853102	GRILLE, AIR INLET	1
-	M0209701	SCREW, DECORATIVE	2
-	M0274066	WASHER, NYLON	2
13	10766601	SHIELD, GREASE	1
14	R0156942	TRAY-CERAMIC FLOOR W/SEALER	1
15	M0275598	SEALER	1

12/06

*Color Code (-)=Not Shown #=Series, Serial Prefix or Run No., N=Not Available

Section: DOOR

Model: RC17S_P1329101M

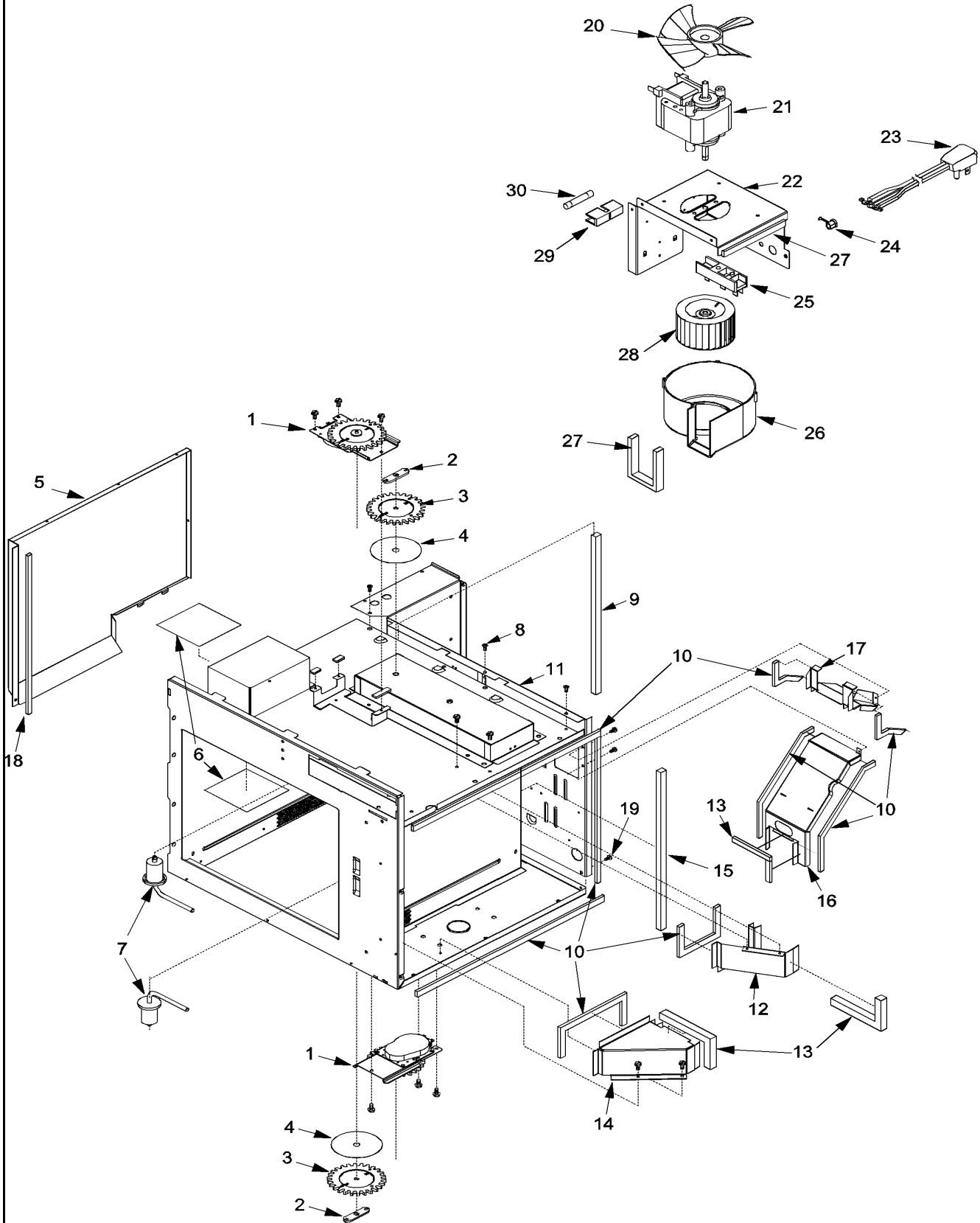


Section: DOOR

No.	Part No.	Description	Series Qty
-	R0193574	MAGNETIC Y-DRIVE BIT	1
1	M0232218	SCREW,HI/LO Y DRIVE	10
2	D7784901	INNER DOOR/GLASS ASSY	1
3	D7683719	WELDMENT-INNER DOOR (BLK)	1
4	C8961811	HINGE-DOOR	1
5	M0216716	SCREW	4
6	M0216703	SCREW ***	5
7	A3263904	GASKET	2
8	R0156918	OUTER DOOR/LENS RETAINER ASSY	1
9	M0310305	PLUG, BUTTON (WHT)	1
10	5051032202	SET SCREW #10 X .25	1
11	12490901	HANDLE, DOOR	1
12	M0208342	SCREW, SET	1
13	12360701	PLUG-HOLE (BLK)	1
14	C8893502	SPRING, DOOR LATCH	1
15	R0000282	LATCH KIT	1
16	A4539601	POP RIVET	2

Section: ANTENNAS, BLOWER, DUCTS,

Model: RC17S_P1329101M

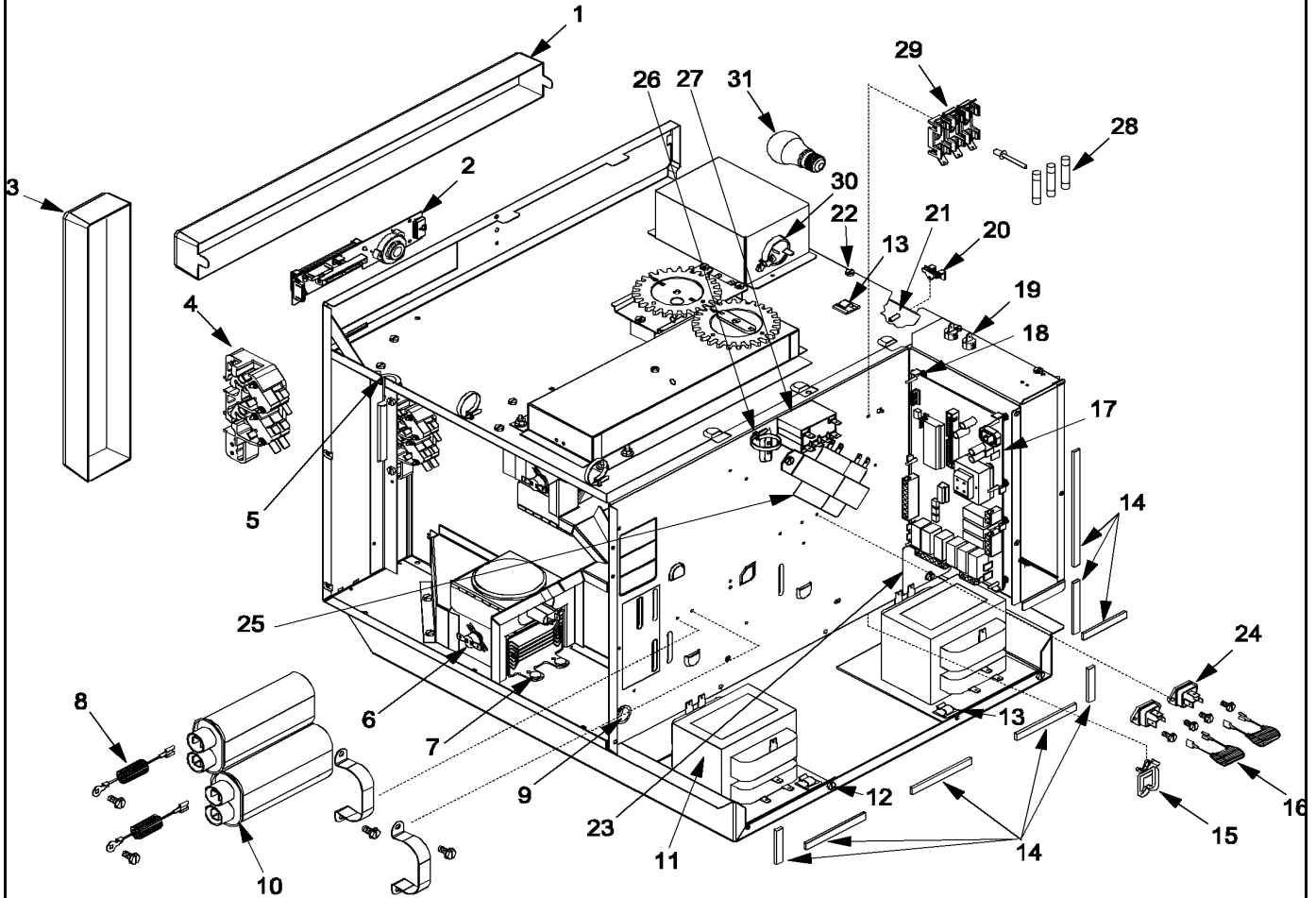


Section: ANTENNAS, BLOWER, DUCTS,

No.	Part No.	Description	Series Qty
-	M0231717	SCREW, TF	6
1	R0130263	MOTOR-ANTENNA STIRRER (230V)	2
2	12570201	RETAINER,GEAR SHAFT	2
3	12570101	GEAR,SPUR	2
4	10903002	WASHER. SPUR GEAR	2
5	10781901	DUCT, EXHAUST	1
6	B8367701	WINDOW, OVEN LIGHT	2
7	R0130262	ANTENNA (STIRRER)	2
8	M0200316	SCREW	5
9	10966601	GASKET, NEOPRENE	1
10	A3030330	GASKET,PER FT	9
11	59001129	PANEL, PARTITION	1
-	M0216703	SCREW ***	2
12	R0156984	TOP EXHAUST DUCT-W/GASKET	1
13	A3030303	GASKET (PER FOOT)	3
-	M0216703	SCREW ***	2
14	R0156985	BOTTOM EXHAUST DUCT-W/GASKET	1
15	A3030311	GASKET-PER INCH	1
16	R0156987	BOTTOM DIVIDER DUCT-W/GASKET	1
17	R0156986	REAR DIVIDER DUCT-W/GASKET	1
-	M0216515	SCREW	3
18	A3030301	GASKET (INCH)	1
19	5078-CC	SCREW	4
20	B5706704	FAN BLADE	1
21	12138106	MOTOR,BLOWER	1
22	12567701	BRACKET,BLOWER	1
-	M0216515	SCREW	3
23	R0131016	POWER CORD KIT	1
24	M0370003	STRAIN RELIEF	1
-	M0234117	SCREW	1
25	B5677203	TERMINAL BLOCK	1
26	12552001	SCROLL,BLOWER	1
-	M0216517	SCREW	4
27	A3030303	GASKET (PER FOOT)	2
28	C3670809	WHEEL, BLOWER	1
29	10091101	FUSE HOLDER	1
30	M0805205	FUSE- 30A	1

Section: ELECTRICAL COMPONENTS

Model: RC17S_P1329101M



Section: ELECTRICAL COMPONENTS

No.	Part No.	Description	Series Qty
1	R0130108	TOUCH PANEL(TOP)	1
-	M0231717	SCREW, TF	2
2	12502401	BOARD,DISPLAY ***	1
-	M0234114	SCREW	3
-	M0231717	SCREW, TF	2
3	R0130109	TOUCH PANEL(SIDE)	1
4	59001114	SWITCH, INTERLOCK	1
-	M0216517	SCREW	2
5	12164101	GROMMET-RUBBER	1
-	M0229916	SCREW T.C	4
6	B5684124	CUTOUT-THERMAL MAGNETRON	2
7	10489402	MAGNETRON-T	2
8	B8383102	RECTIFIER	2
-	M0216515	SCREW	2
9	59001128	BUSHING, SNAP	1
10	D8547927	CAPACITOR-.69	2
-	A4055405	STRAP, CAPACITOR	2
-	M0216515	SCREW	4
11	10788613	TRANSFORMER-HV	2
12	M0216716	SCREW	2
13	M0104106	CLIP	3
14	A3030301	GASKET (INCH)	8
15	B5667304	WIRE CLIP	1
16	10172901Q	SNUBBER ASSEMBLY	2
17	59001002	BOARD,HV	1
18	M0590602	SUPPORT P-C BD A	7
19	M0325401	BUSHING,TERMINAL	2
-	M0234422	SCREW	1
20	B5795306	THERMAL CUTOUT	1
21	M0308801	CAP, PROTECTIVE-THREADED (RED)	1
22	M0231617	SCREW,TF	4
23	10847601	PLATE, PARTITION	1
-	M0200316	SCREW	1
24	D7681501	TRIAC	2
-	M0216515	SCREW	4
-	M0216515	SCREW	1
25	C8901509	TRANSFORMER-AUTO	1
26	M0322202	TIE WIRE	3
27	12492202	RELAY	1
-	M0231717	SCREW, TF	1
30	B8371401	RECEPTACLE, LAMP	1
31	10664502	LAMP 41W	1

12/06

*Color Code (-)=Not Shown #=Series, Serial Prefix or Run No., N=Not Available

Section: SUPPLEMENTAL INFORMATION

No.	Part No.	Description	Series Qty
1	RS2240003	MNL,SVC-COMM'L MICRO	1
2	12392758	USE & CARE -RC17S/22S3/25S/30S	1
3	16022019	TECH SHT COMM. MICROWAVE	1
4	59001132	INSTR-QUICK START	1
5	16021751	MANUAL-PROD SAFETY	1
6	R0193574	MAGNETIC Y-DRIVE BIT	1
7	R0130265	HARNESS, HV BOARD TO DISPLAY	1
8	12543101	HARNESS-INTERLOCK/DISPLAY BD	1
9	12543401	HARNESS-OVEN LIGHT	1
10	12598201	HARNESS, LOWER ANTENNA MOTOR	1
11	59001133	HARNESS, OVEN	1
12	12597801	HARNESS,HI VOLT	1
13	12002483	KIT-CAV- 2 TUBE "S" CHASSIS	1
14	12001916	KIT, FUSE (15 AMP)	1

Section: WIRING INFORMATION

Model: RC17S_P1329101M

SCHEMATIC CONDITION: DOOR OPEN 208/230V 60Hz 3-WIRE

