

Repair Parts List

MODEL NUMBER

RC5MDTM2

MANUFACTURING
NUMBER

P1332836M

COMMERCIAL MICROWAVE

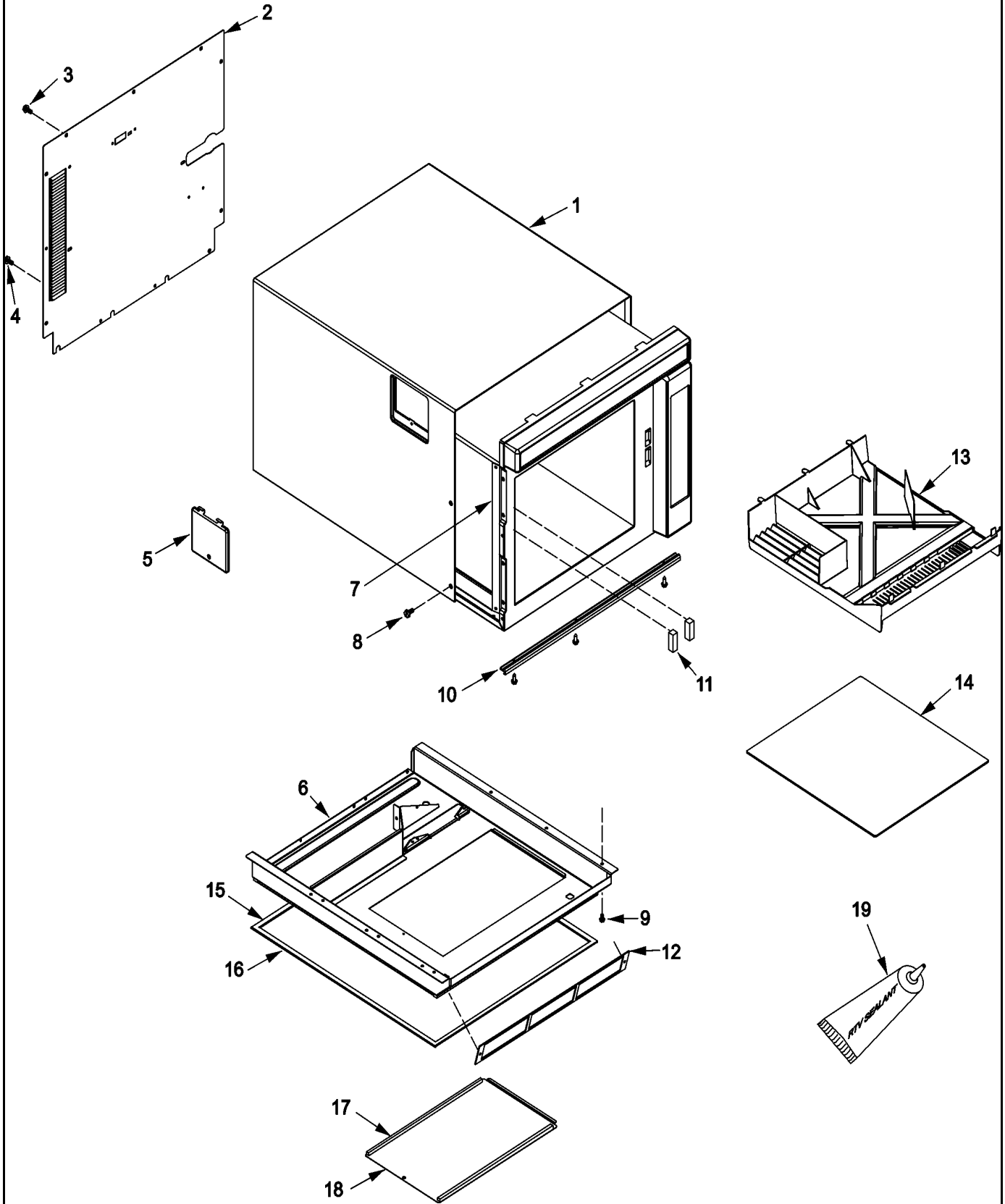
When requesting service or ordering parts, always provide the following information:

- Product Type
- Part Number
- Model Number
- Part Description



Section: TRAY, GREASE SHIELD, CABINET,

Model: RC5MDTM2_P1332836M

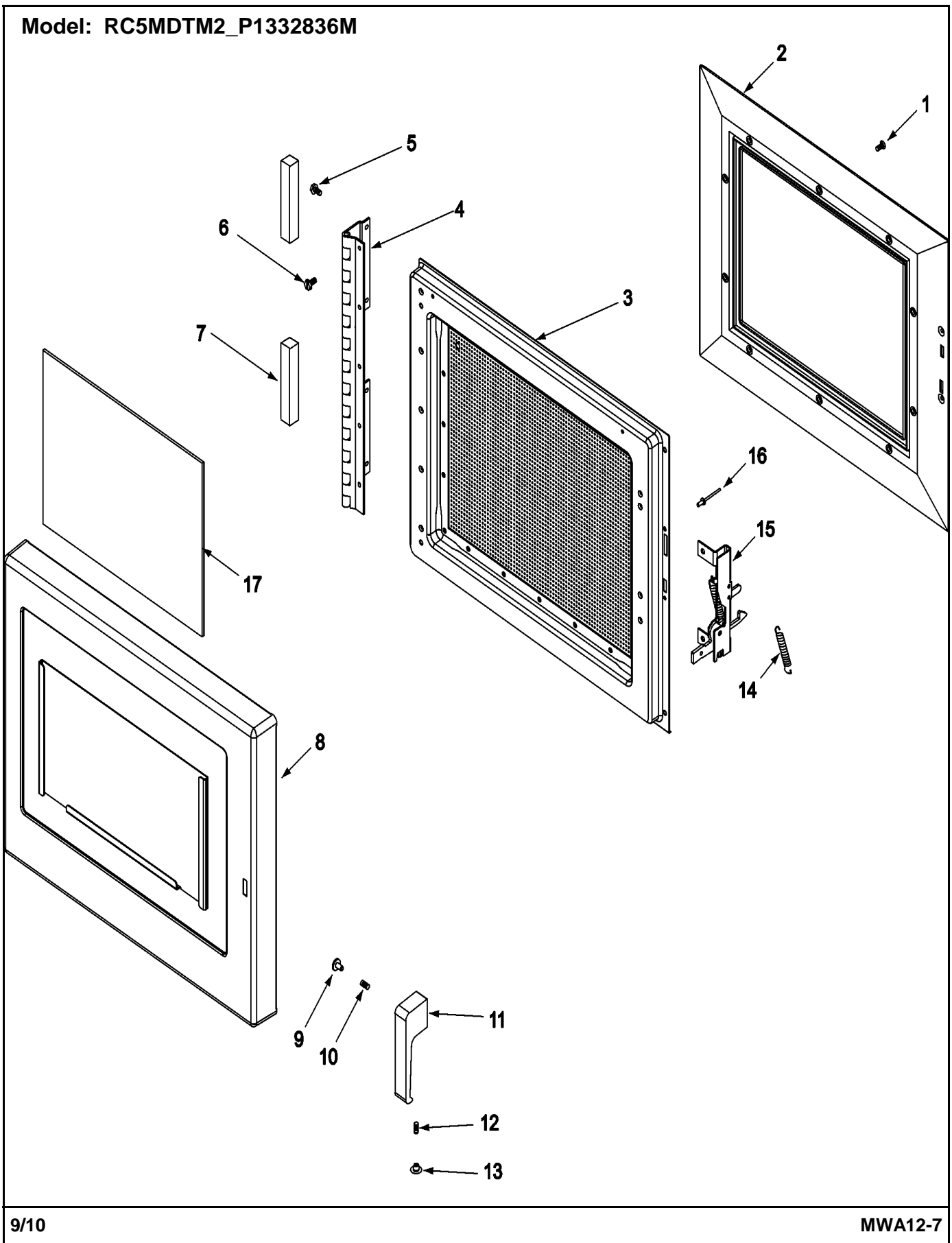


Section: TRAY, GREASE SHIELD, CABINET,

| No. | Part No. | Description | Series Qty |
|------|------------|-------------------------------|------------|
| 1 | 10908901Q | WRAPPER-OC (SS) | 1 |
| 2 | R0156970 | ASSY, ACCESS PANEL (REAR) | 1 |
| 3 | M0216703 | SCREW *** | 12 |
| 4 | M0216716 | SCREW | 3 |
| 5 | 10785608 | COVER LIGHT (SS) | 1 |
| - | M0249632 | SCREW, T F | 1 |
| - N | M0288213 | CLIP | 1 |
| 6 | 10790304Q | BASE ASSY-GASKETS, ACCESS PNL | 1 |
| 7 | 12189003 | BRACKET,HINGE SUPPORT | 1 |
| - | M0231717 | SCREW, TF | 2 |
| 8 | M0249632 | SCREW, T F | 4 |
| 9 | M0220417 | SCREW | 6 |
| - | M0249632 | SCREW, T F | 3 |
| 10 N | 10909001 | TRIM-OC (BRUSHED) | 1 |
| 11 | 3010003001 | SUPPORT-TRAY | 2 |
| - | M0274066 | WASHER, NYLON | 2 |
| - | M0209701 | SCREW, DECORATIVE | 2 |
| 12 | 10853102 | GRILLE, AIR INLET | 1 |
| 13 | 10766601 | SHIELD, GREASE | 1 |
| 14 | R0156942 | TRAY-CERAMIC FLOOR W/SEALER | 1 |
| 15 | 59001646 | BASEPAN GASKET-CUT | 2 |
| 16 | 59001647 | BASEPAN GASKET-CUT | 2 |
| 17 | A3030301 | GASKET (INCH) | 2 |
| 18 | 10782402 | BOTTOM ACCESS PANEL | 1 |
| - | M0216703 | SCREW *** | 1 |
| 19 | M0275598 | SEALER | 1 |

Section: DOOR

Model: RC5MDTM2_P1332836M



Section: DOOR

| No. | Part No. | Description | Series Qty |
|-----|----------|--|------------|
| - | R0193574 | MAGNETIC Y-DRIVE BIT | 1 |
| 1 | 67003392 | SCREW-HI LO Y-DRIVE HEAD | 10 |
| 2 | 12002103 | KIT, INNER DOOR/WINDOW ASSY | 1 |
| 3 | 59001146 | WELDMENT-INNER DOOR (BLK) | 1 |
| 4 | 12003804 | HINGE, DOOR | 1 |
| 5 | M0216716 | SCREW | 4 |
| 6 | M0216703 | SCREW *** | 5 |
| 7 | A3263904 | GASKET | 2 |
| 8 | R0156920 | OUTER DOOR/LENS RETAINER ASSY | 1 |
| 9 | 12360703 | PLUG, BUTTON (BLK) Note: PLUG, BUTTON (BLK) (SIDE) | 1 |
| 10 | M0208943 | SET SCREW Note: SET SCREW (SIDE) | 1 |
| 11 | 12490901 | HANDLE, DOOR | 1 |
| 12 | M0208342 | SCREW, SET Note: SCREW, SET (BOTTOM) | 1 |
| 13 | M0310305 | PLUG, BUTTON (WHT) Note: PLUG, BUTTON (WHT) (BOTTOM) | 1 |
| 14 | C8893502 | SPRING, DOOR LATCH | 1 |
| 15 | R0000282 | LATCH KIT | 1 |
| 16 | A4539601 | POP RIVET | 2 |
| 17 | 10432501 | MENU PANEL | 1 |

Section: SUPPLEMENTAL INFORMATION

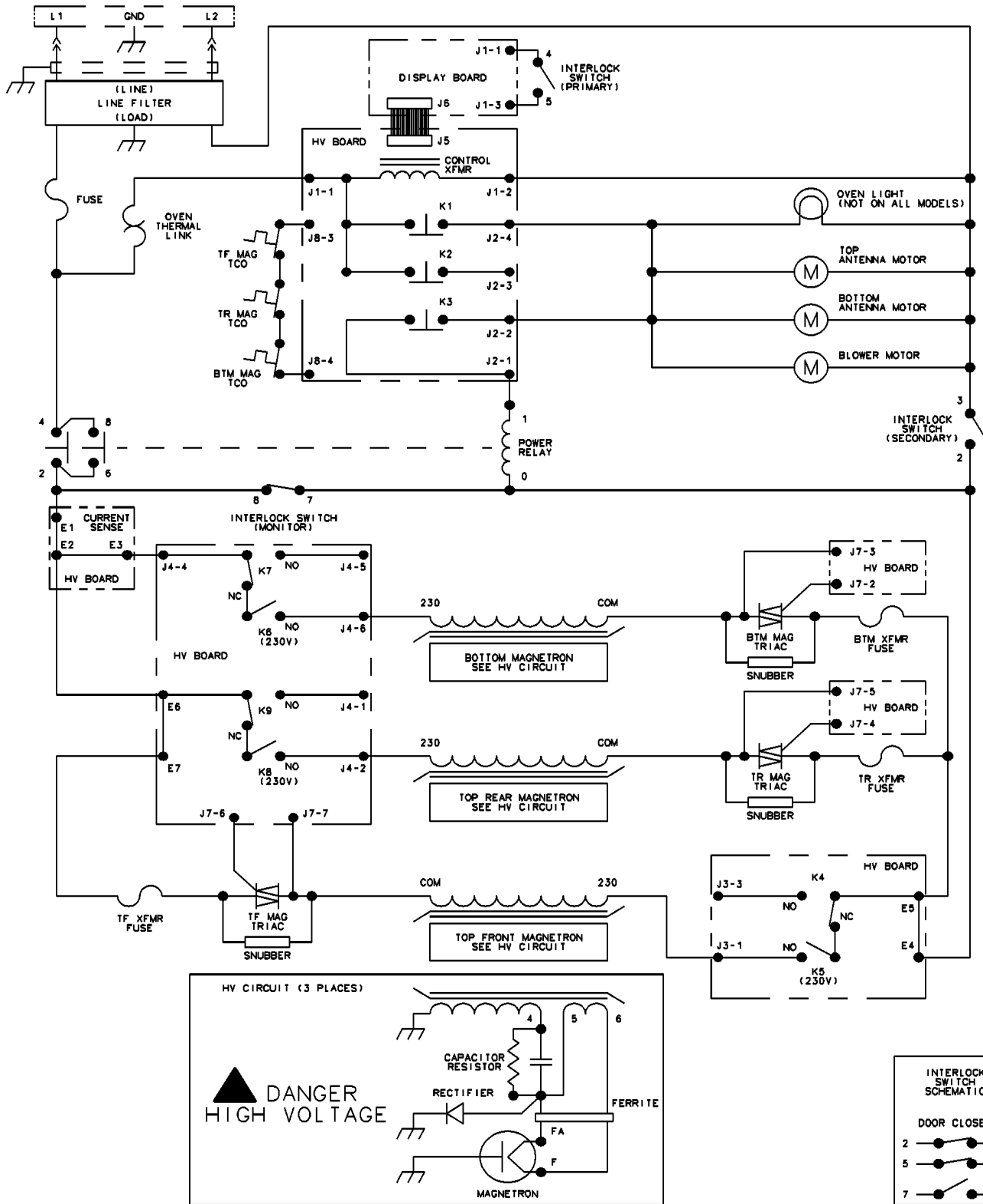
| No. | Part No. | Description | Series Qty |
|-----|------------|--------------------------------|------------|
| 1 | N 59001700 | USE & CARE-AMANA COM MICROWAVE | 1 |
| 2 | 16022149 | SVC MAN, INTL COMM MICRO | 1 |
| 3 | 16022002 | TECH SHT COMM MICRO | 1 |
| 4 | N 59001701 | INSTRUCTIONS, QUICK START | 1 |
| 5 | 12543202 | HARNESS-PC BOARD | 1 |
| 6 | 59001635 | HARNESS-INTERLOCK/DISPLAY BD | 1 |
| 7 | 12598201 | HARNESS, LOWER ANTENNA MOTOR | 1 |
| 8 | 59001662 | HARNESS-OVEN | 1 |
| 9 | 59001491 | HARNESS-HI VOLT | 1 |
| 10 | 12002484 | KIT-CAV- 3 TUBE "S" CHASSIS | 1 |

Section: WIRING INFORMATION

Model: RC5MDTM2_P1332836M

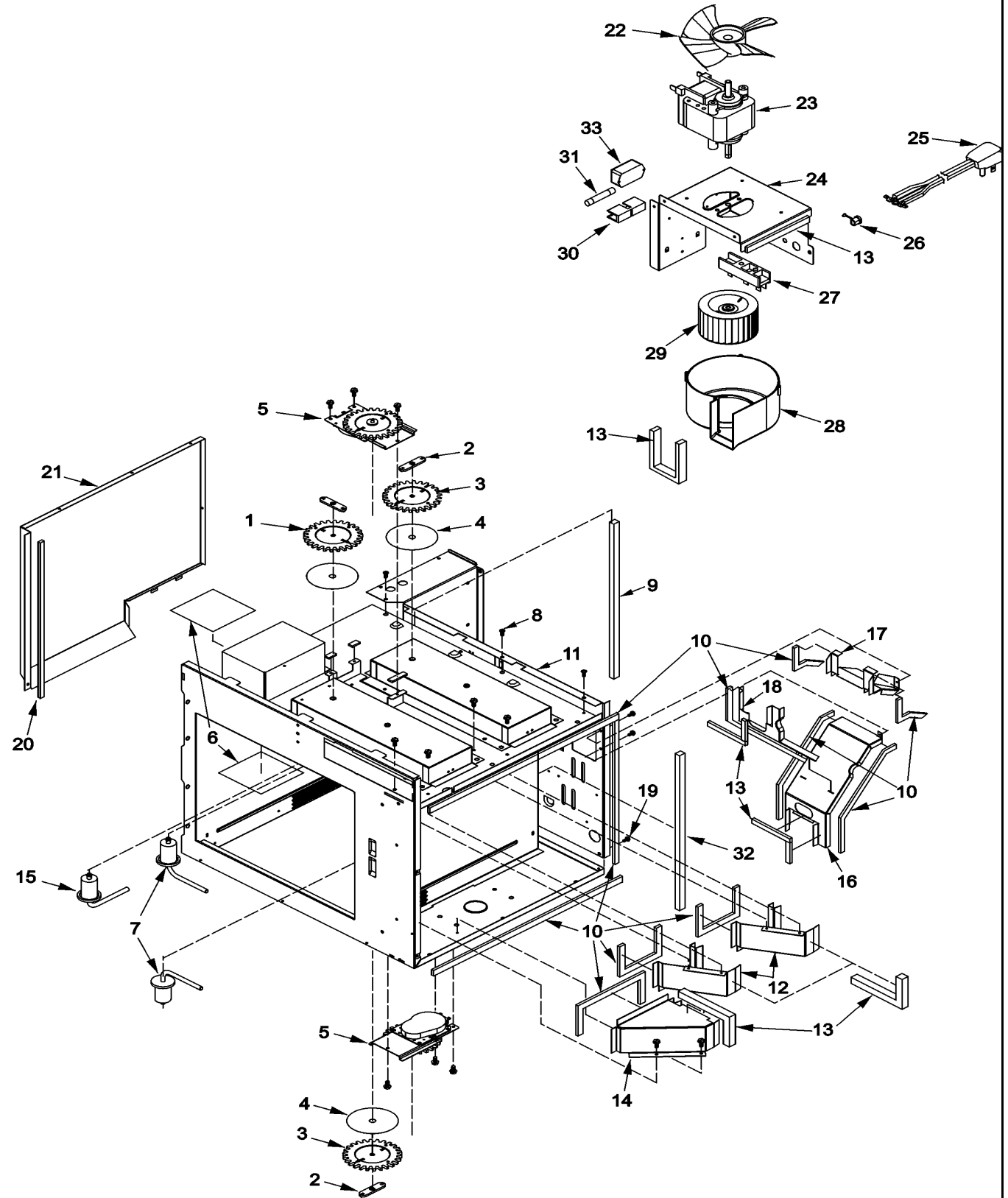
SCHEMATIC CONDITION: DOOR OPEN

230-240V 50Hz 3-WIRE



Section: FUSES, ANTENNAS, BLOWER, DUCTS,

Model: RC5MDTM2_P1332836M

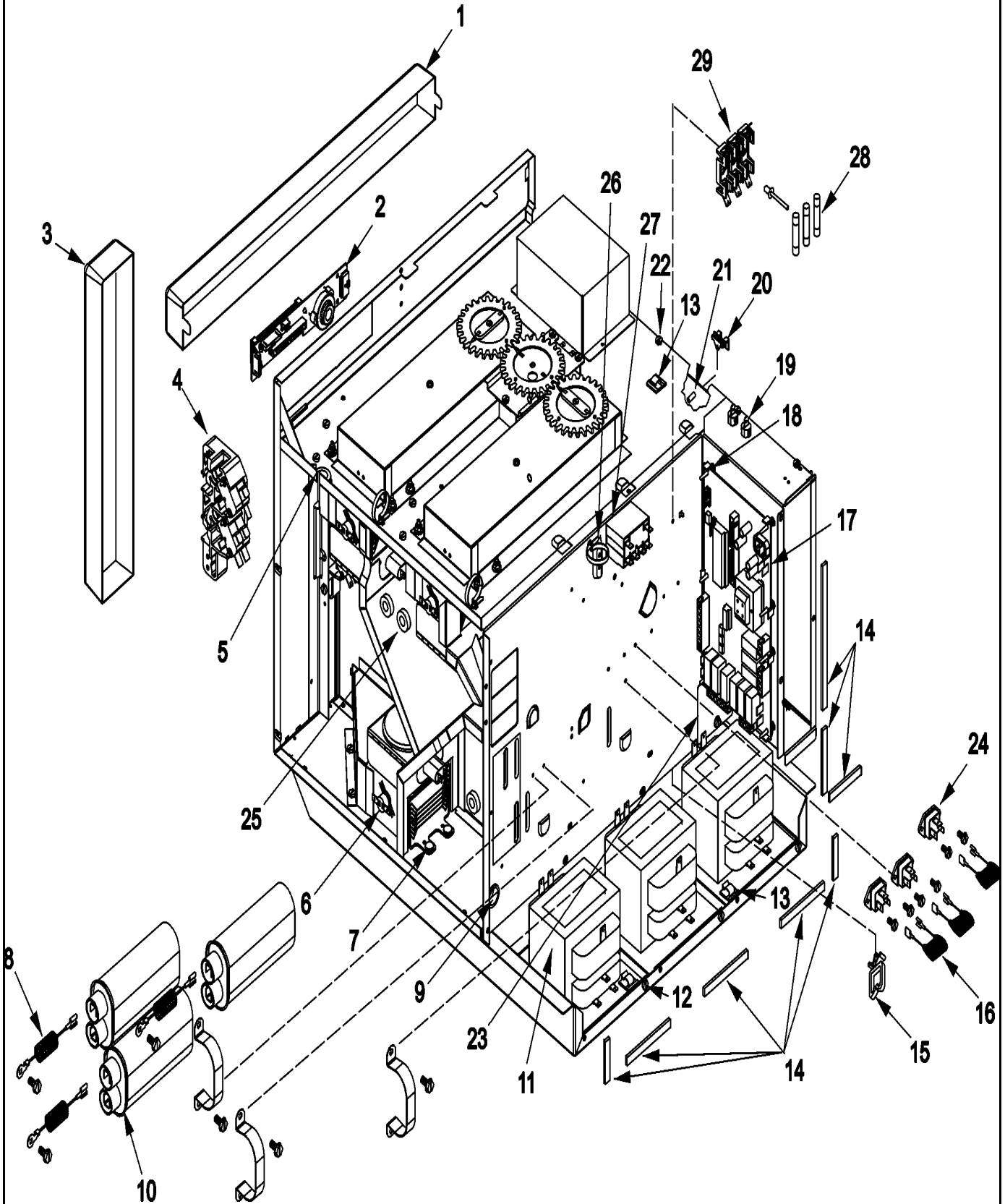


Section: FUSES, ANTENNAS, BLOWER, DUCTS,

| No. | Part No. | Description | Series Qty |
|------|----------|------------------------------|------------|
| 1 | 12570102 | GEAR,SPUR (GRAY) | 1 |
| 2 | 12570201 | RETAINER,GEAR SHAFT | 3 |
| 3 | 12570101 | GEAR,SPUR | 2 |
| 4 | 10903002 | WASHER. SPUR GEAR | 3 |
| - | M0231717 | SCREW, TF | 6 |
| 5 | R0130263 | MOTOR-ANTENNA STIRRER (230V) | 2 |
| 6 | B8367701 | WINDOW, OVEN LIGHT | 2 |
| 7 | R0130262 | ANTENNA (STIRRER) | 2 |
| 8 | M0200316 | SCREW | 7 |
| 9 | 10966601 | GASKET, NEOPRENE | 1 |
| 10 | A3030330 | GASKET,PER FT | 11 |
| 11 | 59001204 | PANEL, PARTITION | 1 |
| 12 | R0156984 | TOP EXHAUST DUCT-W/GASKET | 2 |
| - | M0216703 | SCREW *** | 4 |
| 13 | A3030303 | GASKET (PER FOOT) | 4 |
| - | M0216703 | SCREW *** | 2 |
| 14 | R0156985 | BOTTOM EXHAUST DUCT-W/GASKET | 1 |
| 15 | R0130261 | ANTENNA, TOP FRONT (BLUE) | 1 |
| 16 | R0156987 | BOTTOM DIVIDER DUCT-W/GASKET | 1 |
| 17 | R0156986 | REAR DIVIDER DUCT-W/GASKET | 1 |
| - | M0216515 | SCREW | 1 |
| - | M0216515 | SCREW | 1 |
| 18 | R0156988 | TOP DIVIDER DUCT-W/GASKET | 1 |
| 19 | 5078-CC | SCREW | 4 |
| 20 | A3030301 | GASKET (INCH) | 1 |
| 21 | 10781901 | DUCT, EXHAUST | 1 |
| 22 | B5706704 | FAN BLADE | 1 |
| 23 | 59001482 | MOTOR, BLOWER | 1 |
| 24 | 59001495 | BRACKET, BLOWER | 1 |
| - | M0216515 | SCREW | 3 |
| 25 | 59001663 | POWER CORD | 1 |
| 26 N | 59001664 | RELIEF-STRAIN | 1 |
| - | M0234117 | SCREW | 1 |
| 27 | B5677203 | TERMINAL BLOCK | 1 |
| - | M0216517 | SCREW | 4 |
| 28 | 12552001 | SCROLL,BLOWER | 1 |
| 29 | C3670809 | WHEEL, BLOWER | 1 |
| 30 | 10091101 | FUSE HOLDER | 1 |
| 31 | M0805205 | FUSE- 30A | 1 |
| 32 | A3030301 | GASKET (INCH) | 1 |
| - | M0216703 | SCREW *** | 2 |
| 33 | 59001212 | LINE FILTER | 1 |

Section: ELECTRICAL COMPONENTS

Model: RC5MDTM2_P1332836M



Section: ELECTRICAL COMPONENTS

| No. | Part No. | Description | Series Qty |
|-----|-----------|--------------------------------|------------|
| 1 | R0130110 | TOUCH PANEL(TOP) | 1 |
| - | M0231717 | SCREW, TF | 2 |
| - | M0234114 | SCREW | 3 |
| 2 | 59004028 | BOARD,DISPLAY *** | 1 |
| - | M0231717 | SCREW, TF | 2 |
| 3 | R0130109 | TOUCH PANEL(SIDE) | 1 |
| - | M0216517 | SCREW | 2 |
| 4 | 59001154 | SWITCH, INTERLOCK | 1 |
| 5 | 12164101 | GROMMET-RUBBER | 1 |
| 6 | B5684124 | CUTOUT-THERMAL MAGNETRON | 3 |
| - | M0229916 | SCREW T.C | 6 |
| 7 | 59001484 | MAGNETRON-T | 3 |
| - | M0216515 | SCREW | 3 |
| 8 | B8383102 | RECTIFIER | 3 |
| 9 | 59001128 | BUSHING, SNAP | 1 |
| - | A4055406 | STRAP, CAPACITOR | 3 |
| 10 | 59001168 | CAPACITOR-1.00 | 3 |
| - | M0216515 | SCREW | 6 |
| 11 | 10788609 | TRANSFORMER-HV 230V 50 HZ | 3 |
| 12 | M0216716 | SCREW | 2 |
| 13 | M0104106 | CLIP | 3 |
| 14 | A3030301 | GASKET (INCH) | 8 |
| 15 | B5667304 | WIRE CLIP | 1 |
| 16 | 10172901Q | SNUBBER ASSEMBLY | 3 |
| 17 | 59001124 | BOARD,HV | 1 |
| 18 | M0590602 | SUPPORT P-C BD A | 7 |
| 19 | M0325401 | BUSHING,TERMINAL | 2 |
| 20 | 59001211 | THERMAL CUT-OFF | 1 |
| - | M0234422 | SCREW | 1 |
| 21 | M0308801 | CAP, PROTECTIVE-THREADED (RED) | 1 |
| 22 | M0231617 | SCREW,TF | 4 |
| - | M0200316 | SCREW | 1 |
| 23 | 10847601 | PLATE, PARTITION | 1 |
| - | M0216515 | SCREW | 6 |
| 24 | R0157373 | KIT, TRIAC ASSY | 3 |
| 25 | 44780P01 | TOROID (ARC SUPPRESSOR) | 3 |
| 26 | M0322202 | TIE WIRE | 3 |
| 27 | 12492202 | RELAY | 1 |
| 28 | M0805102 | FUSE 15 AMP | 1 |
| 29 | 12136502 | BLOCK-3 POLE FUSE | 1 |
| - | A4539601 | POP RIVET | 1 |

