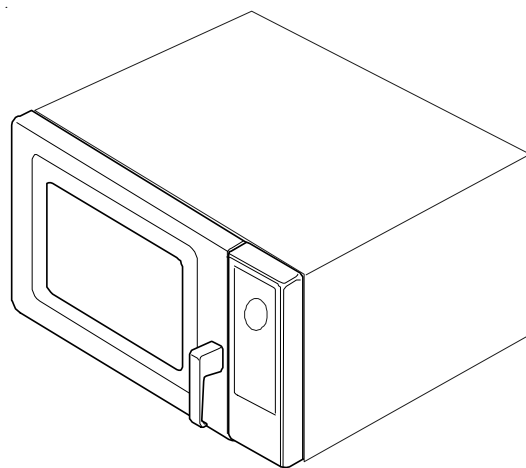
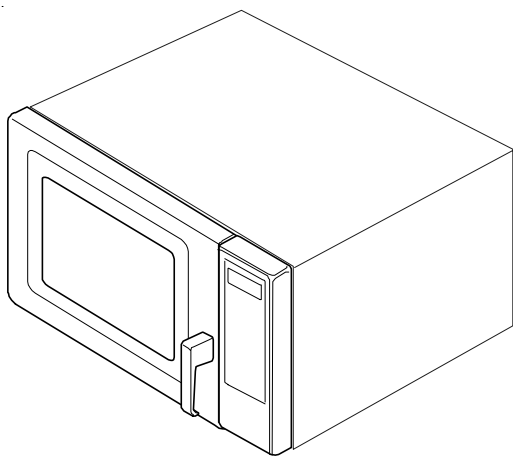


Owner's Manual



Commercial Microwave Oven

Keep these instructions for future reference.
If the oven changes ownership, this manual
must accompany oven.

Contents

Model Identification	2
PRECAUTIONS TO AVOID POSSIBLE EXPOSURE TO EXCESSIVE MICROWAVE ENERGY	3
IMPORTANT SAFETY INSTRUCTIONS	3
Earthing Instructions	5
Installation	5
Display and Features	6
Using the Oven Control (Electronic Models)	8
Programming the Oven Control (Electronic Models)	9
User Options (Electronic Models)	10
Dial Operation	11
Digital Dial Operation	12
Care and Cleaning	13
Before Calling for Service	14

Model Identification

When contacting ACP, provide product information. Product information is located on oven serial plate which is

located on the back side of the oven. Record the following information:

Model Number: _____

Manufacturing Number: _____

Serial or S/N Number: _____

Date of purchase: _____

Dealer's name and address: _____

Any questions or to locate an authorized ACP servicer, call toll free 1-866-426-2621 inside the U.S.A or Canada, or 1-319-368-8120 outside the U.S.A or Canada.

Warranty service must be performed by an authorized ACP servicer. ACP also recommends contacting an authorized ACP servicer if service is required after warranty expires.

IMPORTANT SAFETY INSTRUCTIONS



Recognize this symbol as a **SAFETY** message



WARNING

When using electrical equipment, basic safety precautions should be followed to reduce the risk of burns, electrical shock, fire, or injury to persons.

1. READ all instructions before using equipment.
2. READ AND FOLLOW the specific “PRECAUTIONS TO AVOID POSSIBLE EXPOSURE TO EXCESSIVE MICROWAVE ENERGY” on this page.
3. This equipment **MUST BE EARTHED**. Connect only to properly **EARTHED** outlet. See “**EARTHING INSTRUCTIONS**” on page 5.
4. Install or locate this equipment **ONLY** in accordance with the installation instructions in this manual.
5. Some products such as whole eggs and sealed containers—for example, closed glass jars—are able to explode and **SHOULD NOT** be **HEATED** in this oven.
6. Use this equipment **ONLY** for its intended use as described in this manual. Do not use corrosive chemicals or vapors in this equipment. This type of oven is specifically designed to heat, cook, or dry food. It is not designed for industrial or laboratory use.
7. As with any equipment, **CLOSE SUPERVISION** is necessary when used by **CHILDREN**.
8. See door cleaning instructions on page 13 of this product safety manual.
9. **DO NOT** heat baby bottles in oven.
10. Baby food jars shall be open when heated and contents stirred or shaken before consumption, in order to avoid burns.
11. **DO NOT** operate this equipment if it has a damaged cord or plug, if it is not working properly, or if it has been damaged or dropped.
12. This equipment, including power cord, must be serviced **ONLY** by qualified service personnel. Special tools are required to service equipment. Contact nearest authorized service facility for examination, repair, or adjustment.
13. **DO NOT** cover or block filter or other openings on equipment.
14. **DO NOT** store this equipment outdoors. **DO NOT** use this product near water – for example, near a kitchen sink, in a wet basement, a swimming pool, or a similar location.
15. **DO NOT** immerse cord or plug in water.
16. Keep cord **AWAY** from **HEATED** surfaces.
17. **DO NOT** let cord hang over edge of table or counter.
18. For commercial use only.

PRECAUTIONS TO AVOID POSSIBLE EXPOSURE TO EXCESSIVE MICROWAVE ENERGY

- A. **DO NOT** attempt to operate this oven with the door open since open door operation can result in harmful exposure to microwave energy. It is important not to defeat or tamper with the safety interlocks.
- B. **DO NOT** place any object between the oven front face and the door or allow soil or cleaner residue to accumulate on sealing surfaces.
- C. **DO NOT** operate the oven if it is damaged. It is particularly important that the oven door close properly and that there is no damage to the:
 1. door (bent)
 2. hinges and latches (broken or loosened)
 3. door seals and sealing surfaces.
- D. The oven should not be adjusted or repaired by anyone except properly qualified service personnel.

SAVE THESE INSTRUCTIONS

IMPORTANT SAFETY INSTRUCTIONS



WARNING

To avoid risk of fire in the oven cavity:

- a. DO NOT overcook food. Carefully attend oven when paper, plastic, or other combustible materials are placed inside the oven to facilitate cooking.
- b. Remove wire twist-ties from paper or plastic bags before placing bag in oven.
- c. If materials inside the oven ignite, keep oven door CLOSED, turn oven off and disconnect the power cord, or shut off power at the fuse or circuit breaker panel.
- d. DO NOT use the cavity for storage. DO NOT leave paper products, cooking utensils, or food in the cavity when not in use.



WARNING

Liquids such as water, coffee, or tea are able to be overheated beyond the boiling point without appearing to be boiling due to surface tension of the liquid. Visible bubbling or boiling when the container is removed from the microwave oven is not always present. THIS COULD RESULT IN VERY HOT LIQUIDS SUDDENLY BOILING OVER WHEN A SPOON OR OTHER UTENSIL IS INSERTED INTO THE LIQUID. To reduce the risk of injury to persons:

- i) Do not overheat the liquid.
- ii) Stir the liquid both before and halfway through heating it.
- iii) Do not use straight-sided containers with narrow necks.
- iv) After heating, allow the container to stand in the microwave oven for a short time before removing the container.
- v) Use extreme care when inserting a spoon or other utensil into the container.



CAUTION

To avoid personal injury or property damage, observe the following:

1. Do not deep fat fry in oven. Fat could overheat and be hazardous to handle.
2. Do not cook or reheat eggs in shell or with an unbroken yolk using microwave energy. Pressure may build up and erupt. Pierce yolk with fork or knife before cooking.
3. Pierce skin of potatoes, tomatoes, and similar foods before cooking with microwave energy. When skin is pierced, steam escapes evenly.
4. Do not operate equipment without load or food in oven cavity.
5. Use only popcorn in packages designed and labeled for microwave use. **Popping time varies depending on oven wattage.** Do not continue to heat after popping has stopped. Popcorn will scorch or burn. Do not leave oven unattended.
6. Do not use regular cooking thermometers in oven. Most cooking thermometers contain mercury and may cause an electrical arc, malfunction, or damage to oven.
7. Do not use metal utensils in oven.
8. Never use paper, plastic, or other combustible materials that are not intended for cooking.
9. When cooking with paper, plastic, or other combustible materials, follow manufacturer's recommendations on product use.
10. Do not use paper towels which contain nylon or other synthetic fibers. Heated synthetics could melt and cause paper to ignite.
11. Do not heat sealed containers or plastic bags in oven. Food or liquid could expand quickly and cause container or bag to break. Pierce or open container or bag before heating.
12. To avoid pacemaker malfunction, consult physician or pacemaker manufacturer about effects of microwave energy on pacemaker.
13. An authorized servicer MUST inspect equipment annually. Record all inspections and repairs for future use.
14. Clean oven regularly and remove any food deposits.
15. To avoid surface deterioration, keep the oven in a clean condition. Infrequent cleaning could adversely affect the life of the appliance and possibly result in a hazardous situation.

SAVE THESE INSTRUCTIONS

Unpacking Oven

- Inspect oven for damage such as dents in door or inside oven cavity.
- Report any dents or breakage to source of purchase immediately.
Do not attempt to use oven if damaged.
- Remove all materials from oven interior.
- If oven has been stored in extremely cold area, wait a few hours before connecting power.

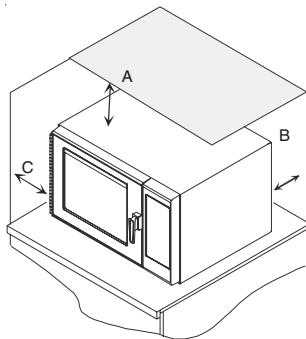
Radio Interference

Microwave operation may cause interference to radio, television, or a similar oven. Reduce or eliminate interference by doing the following:

- Clean door and sealing surfaces of oven according to instructions in *Care and Cleaning* section.
- Place radio, television, etc. as far as possible from oven.
- Use a properly installed antenna on radio, television, etc. to obtain stronger signal reception.

Oven Placement

- Do not install oven next to or above source of heat, such as pizza oven or deep fat fryer. This could cause microwave oven to operate improperly and could shorten life of electrical parts.
- Do not block or obstruct oven filter. Allow access for cleaning.
- Install oven on level countertop surface.
- Place warning label in a conspicuous place close to microwave oven.
- Outlet should be located so that plug is accessible when oven is in place.



A—For North American (UL/CSA) models, allow at least 2" (5.1 cm) of clearance around top of oven. For International (50 Hz) models, allow at least 12" (30 cm) of clearance around top of oven. Proper air flow around oven cools electrical components. With restricted air flow, oven may not operate properly and life of electrical parts is reduced.

B—Allow at least 2" (5.1 cm) between air discharge on back of oven and back wall.

C—Allow at least 2" (5.1 cm) of clearance around sides of oven.

Oven Clearances

The switching operation of this microwave oven can cause voltage fluctuations on the supply line. The operation of this oven under unfavorable voltage supply conditions can have adverse effects. This device is intended for the connection to a power supply system with a maximum permissible system impedance Z_{max} of **0.2 Ohms** at the interface point of the user's supply. The user has to ensure that this device is connected only to a power supply system which fulfills the requirement above. If necessary, the user can ask the public power supply company for the system impedance at the interface point.

WARNING

To avoid risk of electrical shock or death, this oven must be earthed.

WARNING

To avoid risk of electrical shock or death, do not alter the plug.

Grounding/Earthing Instructions

Oven **MUST** be grounded.

Grounding reduces risk of electric shock by providing an escape wire for the electric current, if an electrical short occurs. This oven is equipped with a cord having a ground wire with a grounding plug. The plug must be plugged into an outlet that is properly installed and grounded.

Consult a qualified electrician or servicer if grounding instructions are not completely understood, or if doubt exists as to whether the oven is properly grounded.

Do not use an extension cord.

If the product power cord is too short, have a qualified electrician install a three-slot receptacle. This oven should be plugged into a separate circuit with the electrical rating as provided in product specifications. When a microwave oven is on a circuit with other equipment, an increase in cooking times may be required and fuses can be blown.

External Equipotential

Earthing Terminal *(export only)*

Equipment has secondary earthing terminal. Terminal provides external earthing connection used in addition to earthing prong on plug. Located on outside of oven back, terminal is marked with symbol shown below.



Display and Features (some models)

? If These Features are Different from Yours

These features are intended to show the variety that is available in the product line. If your microwave does not have all the options that are shown, it is not a mistake. The information provided applies to several of the models in the product line.



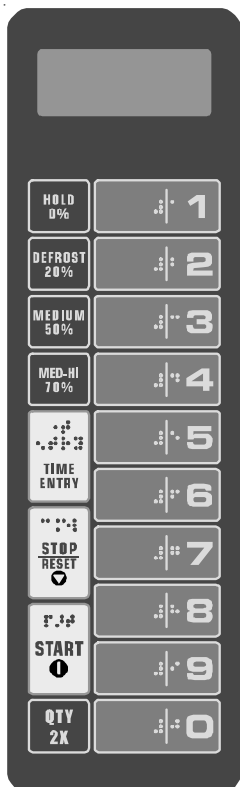
START Pad

The START pad is used to begin a manual time entry cooking cycle. It is also used to save any changes to programming sequences or user options.



STOP/RESET pad

The STOP/RESET pad stops a cooking sequence in progress, clears out any remaining time, and also ends a programming or user option cycle. When the STOP/RESET pad is used to end a programming or option change, the changes are discarded.



Single Pad Programming

(example of pad 7 shown)

This feature enables each numbered pad to be programmed for a specific cooking procedure/use. To use this feature, simply program the pad to the desired length of time and power level. To use this feature, press the pad once and the microwave will begin cooking.



Double Pad Programming

(some models)

This feature enables 100 programmed entries to be made. Each entry will be assigned a double digit number, for example 07 as shown. When using the double pad programming, two pads must be pressed to start the cooking cycle.



Manual Time Entry

In addition to programmable pads, this microwave also accepts specific time entry by using the TIME ENTRY pad. Using manual time entry does not affect the programmed buttons.



QTY 2X Pad

The QTY 2X pad increases a preset cooking time by a percentage of the original cooking time (cooking factor). The user may specify the percentage and it can be changed for individual cooking sequences. This feature is very useful for cooking multiple servings of foods. The QTY 2X pad can be used with either single or double pad programming. To change the cooking factor, see *Programming the Oven Control*.

P:-- Stage Cooking

Stage cooking is a cooking sequence with specific power stage changes. The user can program up to four different power level changes and the specific amount of cooking time at each power level. Each power level/cooking time combination is known as a stage. Up to four stages can be programmed. Stage cooking is available only in some electronic control models.

OP:-- User Options

This microwave can be set for specific user preferences. Options such as beep volume, maximum cooking time, and the number of programmable pads can be changed. To change different options, see *User Options* in this manual.

Display and Features (some models)

Cooking Display

DISPLAYS	DESCRIPTION
READY	READY displays when oven control will accept entries.
15:00	Displays cooking time. If stage cooking is programmed, total cooking time is displayed.
HOLD 0% DEFROST 20% MEDIUM 50% MED-HI 70%	These settings display the current microwave power level used. If no display is shown, microwave is running at full power (100%).
COOK	COOK is displayed while the oven is generating microwave energy during a cooking cycle.



Display

Some items in the display can be seen but are not available depending on model.

Programming Display

DISPLAYS	DESCRIPTION
PROGRAM	Displays when oven is in programming mode.
OP --	Displays when oven is in user option mode. User options can then be set or specified.
DBL	Displays when the QTY 2X pad is pressed.
STAGE COOKING	When programming a specific cooking stage. The oven beeps twice at the change of each stage (1 through 4).
CLEAN FILTR (some models)	This oven displays CLEAN FILTR every 7 days. When the message displays, clean the air filter thoroughly. Cleaning the air filter will not shut off the message. The message will stop displaying automatically after 24 hours.



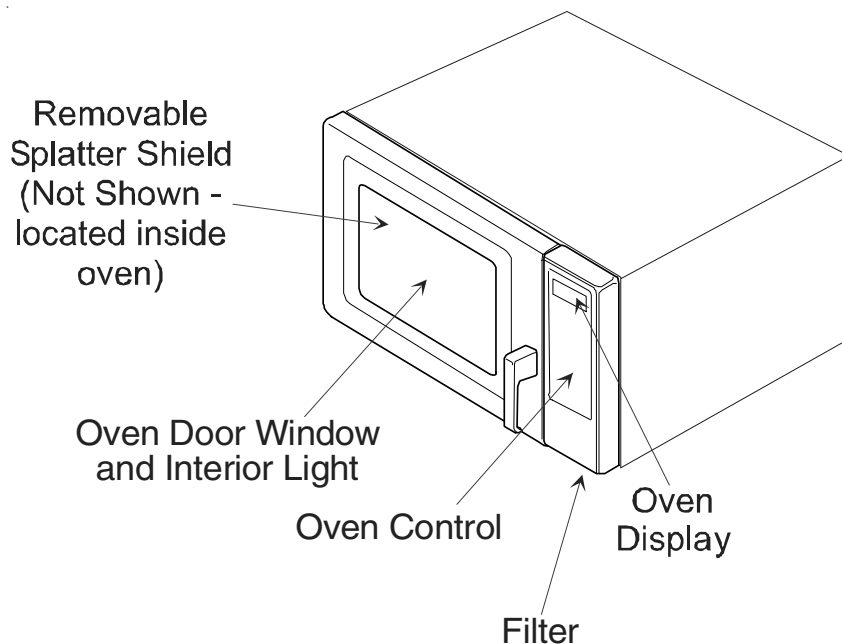
Ready

Ready displays when an oven control will accept entries.



Cooking Displays

33:33 displays total cooking time. When more than one cooking stage is programmed, total time for all stages displays. **COOK** displays when oven is operating. **DEFROST 20%**, **MEDIUM 50%**, or **MED-HI 70%** will display to indicate microwave power level being used. **HOLD 0%** does not display **COOK**. If oven power level is set to 0%, oven does not heat for programmed time. If no power level is displayed, the microwave is operating at 100% power.



Using the Oven Control (Electronic Control)



Interrupting Operation

Open oven door or press STOP/RESET pad to interrupt operation. Display may continue to show countdown time. Close door and press START pad to resume oven operation.

? Do I have stage programming?

Stage programming is not shown with a pad on the oven. To verify that your microwave has stage programming, refer to the Quick Start Guide provided with the microwave or call your authorized Amana dealer.



QTY 2X Pad

(some models)

To increase cooking time by a specific cooking factor when cooking more than one serving. The cooking factor is a percentage of the original cooking time (from 10 to 100%).

- Open oven door and place food in oven. Close door.
 - READY** displays. Fan and light will turn on.
- Press QTY 2X pad.
 - Amount of time added is a percentage of the original preprogrammed cooking time.
 - The percentage can be changed. See *Programming the Oven Control* section in this manual.
- Press desired preprogrammed pad or pad sequence.
- Oven begins cooking. Displayed cooking time is the total of original cooking time plus the added 2X time.

Manual Time Entry

To cook food using a specific entered time and power level.

- Open oven door and place food in oven. Close door.
 - READY** displays. Fan and light will turn on.
- Press TIME ENTRY pad.
 - READY** and 0000 display.
 - If pad does not work, open and close oven door and try again.
- Enter cooking time by using the numbered pads.
- Press a power level pad to change power level if desired (some models).
 - POWER LEVEL** displays with the power setting.
 - 00 indicates 0% microwave power, 20 indicates 20%, 50 indicates 50% and 70 indicates 70% microwave power. If a number is not displayed with POWER LEVEL the microwave is set to full power.
- If stage cooking is desired, press TIME ENTRY pad and repeat steps 3 through 4 (some models).
 - Display changes to cook time and power level for the next stage.
- Enter cook time and power level as in steps 3 and 4.
 - To add another cooking stage press TIME ENTRY pad again.
 - Up to four different stages can be programmed.
- Press START pad.
 - Oven operates and time counts down.
 - POWER, COOK LEVEL** and cooking time display.
- At end of cooking cycle oven beeps and shuts off.



Programmed Pads

To cook food using pads preprogrammed with cooking sequences.

- Open oven door and place food in oven. Close door.
 - READY** displays. Fan and light will turn on.
- Press desired pad.
 - For single pad entry, press only one pad.
 - For double pad entry, press the two pads, in order, of the double digit number for the desired cooking sequence.
 - To change single or double pad entry option see *User Options* section in this manual.
- Oven begins to cook.
 - POWER**, power level and total cooking time display. If power level does not display, microwave is cooking at full power.
 - For additional cooking time, press preprogrammed pad again to begin cooking sequence again.
- At end of cooking cycle oven beeps and shuts off.



Factory Settings

Pad	Time	Pad	Time
1	10 sec.	6	1:30 min.
2	20 sec.	7	2 min.
3	30 sec.	8	3 min.
4	45 sec.	9	4 min.
5	1 min.	0	5 min.

Programming the Oven Control (Electronic Control)

Programming Pads

Oven is shipped from the factory for single pad programming. To change the oven default to allow double pad programming, see *User Option* section. To change the amount of time or the power level for a preset pad:

1. Open oven door.
 - **READY** displays.
 - If door is closed or STOP/RESET pad is pressed before programming is complete, changes are discarded and microwave exits programming mode.
2. Press and hold pad 1 for approximately 5 seconds.
 - This begins programming mode.
 - Microwave will beep and PROGRAM displays. Oven is in programming mode.
3. Press pad to be reprogrammed.
 - Press two pads if reprogramming a double pad program.
 - Power level and cooking time display.
 - If power level does not display, microwave is set to full power.
4. Enter cooking time by using the number pads.
5. Press a power level pad to change power level if desired.
6. Enter cook time and power level as in steps 4 and 5 (some models)
 - To enter another cooking stage for that pad, press TIME ENTRY pad again.
 - Up to four different stages can be programmed (some models).
7. Press START pad to set new programming changes to the pad.
 - PROGRAM displays.
 - If START is not pressed, changes will not be saved.
8. Press STOP/RESET pad or close oven door to exit programming mode.



? The display shows PROGRAM.

When set to single pad or double pad programming, the display will show PROGRAM when programming pads for single or double digit cooking sequences. To change the oven's default to allow either single pad or double pad programming, see the *User Option* section.



Canceling Mistakes

If oven is not cooking, press STOP/RESET pad to clear display. If oven is cooking, press STOP/RESET pad once to stop oven, then again to clear display. If oven door is open and time shows in display, close oven door and press STOP/RESET pad to clear display.

Programming Multiple Stages (some models)

Stage cooking allows consecutive cooking cycles without interruption. Up to four different cooking cycles can be programmed into a memory pad. To use stage cooking:

1. Follow steps 1 through 5 above (Programming Pads).
6. Press TIME ENTRY pad.
 - Display briefly shows the pad number that is being programmed and the stage number to the upper right.
 - Display changes to cook time and power level for the next stage.
7. Enter cook time and power level as in steps 4 and 5 above (Programming Pads).
 - To enter another cooking stage for that pad, press TIME ENTRY pad again.
 - Up to four different stages can be programmed.
8. Press START pad to set new programming changes to the pad.
9. Press STOP/RESET pad or close oven door to exit programming mode.



QTY 2X Programming (some models)

This feature allows a preset percentage of original cook time, called a cooking factor, to be added to a cook sequence.

To change the cooking factor:

1. Open oven door.
2. Press and hold pad 1 for approximately 5 seconds.
3. Press pad to be reprogrammed.
4. Press the QTY 2X pad.
5. Press a numbered pad to change the cooking factor.
 - Cooking factor can be set from 10% to 100%.
 - Default is 80%.
 - Pad 5 would change the cooking factor to 50%.
 - Pad 3 would change the cooking factor to 30%.
6. Press START pad to save changes.

User Options (Electronic Control)

Didn't like an option?

Factory settings are marked in bold. To change the oven back to the factory setting, simply select the option that is marked in bold.



My changes weren't saved.

In order for any changes to be saved, the START pad must be pressed after selecting an option. Shutting the oven door or pressing the STOP/RESET pad will not save changes.

Changing user options

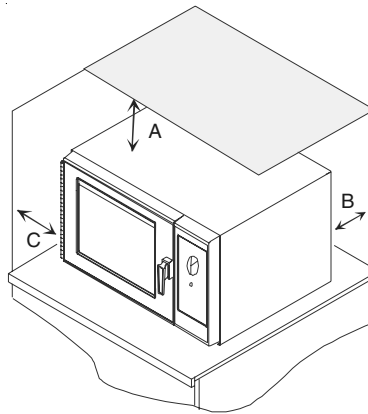
Options such as single or double pad programming, beep volume, and maximum cooking time can be changed to suit individual preferences. To change options:

1. Open oven door.
 - If door is closed or STOP/RESET pad is pressed before programming is complete, changes are discarded and microwave exits programming mode.
2. Press and hold pad 2 for approximately 5 seconds.
 - This begins options mode.
 - Microwave will beep and OP: -- displays. Microwave is now in programming mode.
3. Press number pad that controls option to be changed.
 - See table below for options.
 - Current option will display.
4. Press number pad again to change the option.
 - Each time pad is pressed, option will change.
 - Match code displayed with code for desired option.
5. Press START pad to save changes.
 - OP: -- shows in display.
 - To change additional options, repeat steps 3 and 4.
 - Changes appear after door is closed or STOP/RESET pad is pressed.

Numbered Pads	Display	Options (Factory Settings in Bold)
1 End of Cycle Beep	OP:10 OP:11 OP:12	3 second continuous beep. Continuous beep until door is opened. 5 beep bursts until door is opened.
2 Speaker Volume	OP:20 OP:21 OP:22 OP:23	Eliminates beep. Sets volume to low. Sets volume to medium. Sets volume to high.
3 Key Beep	OP:30 OP:31	Prevents beep when pad is pressed. Allows beep when pad is pressed.
4 Keyboard Enable Window	OP:40 OP:41 OP:42 OP:43	15 seconds after oven door is opened, keyboard disabled. 30 seconds after oven door is opened, keyboard disabled. 1 minute after oven door is opened, keyboard disabled. 2 minutes after oven door is opened, keyboard disabled.
5 Add Time During Heating	OP:50 OP:51	Prevents adding heating time while oven is heating. Allows heating time to be changed while oven is heating when a memory pad is pressed.
6 Reset Door Open	OP:60 OP:61	Allows oven to resume heating time countdown after door is opened during cycle. Cancels heating time count down after door is opened during cycle.
7 (some models) Maximum Heating Time	OP:70 OP:71	Allows 60 minutes of heating time. Allows 10 minutes of heating time.
8 Manual Operation	OP:80 OP:81	Allows use of preprogrammed pads only. Allows use of manual time entry and preprogrammed pads.
9 (some models) Double Digit Operation	OP:90 OP:91	Allows 10 (0-9) preprogrammed pads. Allows 100 (00-99) preprogrammed pads.
0 Clean Filter Message	OP:00 OP:01 OP:02 OP:03	Do not display message. Display message for 24 hours every 7 days. Display message for 24 hours every 30 days. Display message for 24 hours every 90 days.

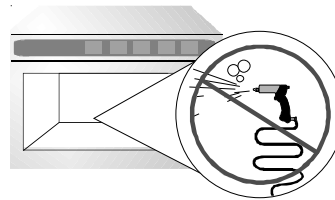
Dial option is available on some models only.

The switching operation of this microwave oven can cause voltage fluctuations on the supply line. The operation of this oven under unfavorable voltage supply conditions can have adverse effects. This device is intended for the connection to a power supply system with a maximum permissible system impedance Z_{max} of **0.2 Ohms** at the interface point of the user's supply. The user has to ensure that this device is connected only to a power supply system which fulfills the requirement above. If necessary, the user can ask the public power supply company for the system impedance at the interface point.

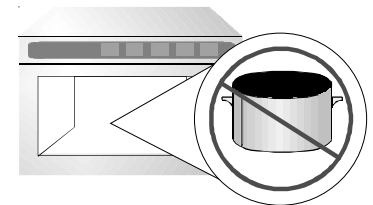


Oven Wall Clearances

- A—For North American (UL/CSA) models, allow at least 2" (5.1 cm) of clearance around top of oven. For International (50 Hz) models, allow at least 12" (30 cm) of clearance around top of oven. Proper air flow around oven cools electrical components. With restricted air flow, oven may not operate properly and life of electrical parts is reduced.
- B—Allow at least 2" (5.1 cm) between air discharge on back of oven and back wall.
- C—Allow at least 2" (5.1 cm) of clearance around sides of oven.



DO NOT power spray



No metal pans

HEATING GUIDE

ITEM	TIME SETTING	DIAL LETTER
ROLL, PASTRY.....	15 SEC.	A
HOT DOG.....	30 SEC.	B
HAMBURGER, SUB		
BURRITO, PIZZA.....	1 MIN.	D
CHILI, SOUP,		
STEW.....	1-2 MIN.	F
POPCORN.....	2 MIN.	H

So...how do I use it? (Mechanical Dial)

Heating

1. Open oven door, place food in oven, and close oven door.
2. Turn time entry knob clockwise to desired time.
 - Cooking time can be set up to 6 minutes.
 - Oven begins operation and time counts down.
3. When cooking time has elapsed, microwave energy stops and oven signal sounds.

Interrupting Operation

Open oven door to interrupt operation or turn time entry knob counterclockwise to "0".

To resume microwave oven operation, close door and turn knob.

Changing Time and Canceling Mistakes

Heating time can be changed at any time while the oven is operating. Turn knob to desired new setting. To set cooking time to zero, turn knob counterclockwise to "0".

Digital Dial Operation

Digital Dial option is available on some models only.

So...how do I use it? (Digital Dial)

Heating

- Open oven door, place food in oven, and close oven door.
- Turn time entry knob clockwise until desired time displays.
 - Factory default setting for cooking time is 10 minutes. Cooking time can be changed and set to 60 minutes. (Refer to section on changing options)
- Press a power level pad to change power level, if desired. If no power level is selected, unit will default to 100%.
 - Power level can be set from full power (100%), to 70%, 50% or DEFROST (20%).
- Press **START** button.
 - Oven begins operation and time counts down.
- When cooking time has elapsed, microwave energy stops and oven signal sounds.

Interrupting Operation

Open oven door to interrupt operation or turn time entry knob counterclockwise to "0".

To resume microwave oven operation, close door and press **START**.

If time was changed to "0", time will need to be reset, and then press **START**.

Changing Time and Power/Canceling Mistakes

Heating time and power level can be changed at any time while the oven is operating. Turn knob to desired new setting. To set cooking time to zero, turn knob counterclockwise to "0".



:30 QUICK SET Pad

Allows you to reheat for 30 seconds at 100% (full) power by simply pressing the :30 QUICK SET pad. By repeatedly pressing this pad, you can extend the reheating time to 5 minutes by 30 second increments. To change the time assigned to this pad:

- Open oven door.
 - If door is closed before programming is complete, changes are discarded.
- Press and hold the :30 QUICK SET pad for approximately 5 seconds.
 - This activates the programming mode.
 - Microwave will beep and either current or assigned time will show in display.
- Turn Dial to change time setting.
 - Time can be set from zero (0:00) seconds to five minutes (5:00).
 - If the assigned time is 0:00, the :30 QUICK SET pad is effectively disabled.
- Press **START** pad to save changes.



Can I change an option?

Options can be changed to suit individual preferences.

To change options:

- Open oven door.
 - If door is closed before programming is complete, changes are discarded and microwave exits options programming mode.
- Press and hold the Hidden Pad for approximately 5 seconds.
 - This begins options programming mode.
 - Microwave will beep and **OP:--** appears in display.
- Press the Hidden Pad to advance to the desired option to be changed.
 - See table below for options.
- Turn Dial to change option setting.
 - OP:** and option number appear in display.
 - See table below for options.
- Press **START** pad to save changes.
 - To change additional options, repeat steps 2 - 5.
 - Changes appear after door is closed.

Numbered Pads	Display	Options (Factory Settings in Bold)
1 End of Cycle Beep	OP:10 OP:11 OP:12	3 second continuous beep. Continuous beep until door is opened. 5 beep bursts until door is opened.
2 Speaker Volume	OP:20 OP:21 OP:22 OP:23	Eliminates beep. Sets volume to low. Sets volume to medium. Sets volume to high.
3 Key Beep	OP:30 OP:31	Prevents beep when pad is pressed. Allows beep when pad is pressed.
4 Keyboard Enable Window	OP:40 OP:41 OP:42 OP:43	15 seconds after oven door is opened, keyboard disabled. 30 seconds after oven door is opened, keyboard disabled. 1 minute after oven door is opened, keyboard disabled. 2 minutes after oven door is opened, keyboard disabled.
5 Add Time During Heating	OP:50 OP:51	Prevents adding heating time while oven is heating. Allows heating time to be changed while oven is heating when a memory pad is pressed.
6 Reset Door Open	OP:60 OP:61	Allows oven to resume heating time countdown after door is opened during cycle. Cancels heating time count down after door is opened during cycle.
7 (some models) Maximum Heating Time	OP:70 OP:71	Allows 60 minutes of heating time. Allows 10 minutes of heating time.
0 Clean Filter Message	OP:00 OP:01 OP:02 OP:03	Do not display message. Display message for 24 hours every 7 days. Display message for 24 hours every 30 days. Display message for 24 hours every 90 days.

Care and Cleaning

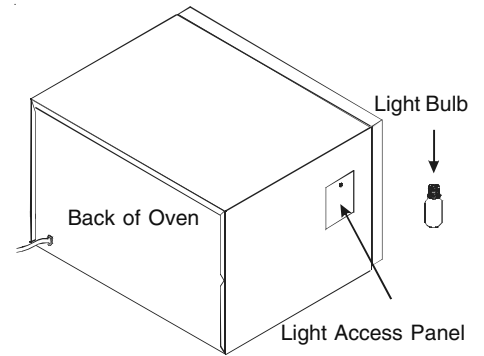


WARNING

To avoid electrical shock which can cause severe personal injury or death, unplug power cord or open circuit breaker to oven before cleaning or removing light bulb.

Replacing Oven Light

1. Disconnect electrical supply.
2. Remove screw from light access panel located on side panel of oven.
3. Turn light bulb counterclockwise to remove.
4. Replace light bulb. **Do not over-tighten bulb.** Over-tightening may make bulb difficult to remove later.
5. Replace light access cover before use.
6. Reconnect power supply.



Removing Splatter Shield

Splatter shield keeps top of microwave oven cavity and antenna from becoming soiled. Clean soil from shield with damp cloth or clean with mild detergent and water. Splatter shield can be removed for easier cleaning. The shield snaps into a lip in the front of the oven and two slots in the back wall.

1. Unplug oven to stop antenna from rotating.
2. Place your thumbs in the two indentations in the front of the shield.
3. Press firmly toward the back and carefully lower the shield away from the antenna.
4. Pull the shield out of the back slots and out of the oven.
 - DO NOT bend antenna.
5. Reinstall splatter shield by fitting shield tabs into the two slots at the top of the back. Lift front and push back until shield snaps into place.
6. Reconnect power to oven.
 - Verify antenna operation by placing a glass or cup of water in the unit. Close the oven door and start oven. A rotating shadow should be visible above the splatter shield.

PART	CARE AND CLEANING RECOMMENDATION
Interior, Exterior, and Door	Clean microwave oven with mild detergent in warm water using soft sponge or cloth. Wring sponge or cloth to remove excess water before wiping equipment. If desired, boil a cup of water in microwave oven to loosen soil before cleaning. Important: <ul style="list-style-type: none"> • Do not use abrasive cleansers or cleaners containing ammonia or citrus. These could damage finish. • Never pour water into microwave oven bottom. • Do not use water pressure type cleaning systems.
Discharge Air Vents	Check monthly for a buildup of cooking vapors along intake and discharge louvers on bottom and back of oven. Clean air vents with damp cloth to ensure proper airflow. Dry thoroughly.
Air Intake Filter	Filter is located below oven door. Clean air intake filter weekly for proper airflow. Wash filter in hot water and mild detergent. Do not use oven without filter in place. Remove filter to clean. Important: To avoid overheating and oven damage, clean air filter regularly. <ol style="list-style-type: none"> 1. Turn thumbscrew counterclockwise and remove filter for cleaning.
Control Panel	Open oven door to deactivate oven timer. Clean with mild detergent in warm water using soft sponge or cloth.

Before Calling for Service



WARNING

To avoid electrical shock which can cause severe personal injury or death, do not remove outer case at any time. Only an authorized ACP servicer should remove outer case.

Problem	Possible Cause
Oven does not operate.	<p>Confirm oven is plugged into dedicated circuit.</p> <p>Confirm oven is on grounded and polarized circuit. (Contact electrician to confirm)</p> <p>Check fuse or circuit breaker.</p>
Oven operates intermittently.	Check air filter and discharge areas for obstructions.
If oven does not accept entries when pad is pressed.	<p>Make sure oven is on.</p> <p>Open and close oven door. Press pad again.</p>
If oven malfunctions or shows F with a number:	<p>Oven control is equipped with a self-diagnostic system. Self-diagnostic system alerts you if there is a error or problem. When electronic control signals a problem, follow steps listed below.</p> <ol style="list-style-type: none"> 1. Record number shown. 2. Unplug oven, wait for 1 minute, and plug in oven. <ul style="list-style-type: none"> • Disconnecting electrical supply may eliminate service code. If failure continues, contact an authorized ACP servicer or call ACP toll free at 1-866-426-2621 inside the U.S.A. or Canada.
Oven operates but does not heat food.	<p>Place one cup of water in oven.</p> <p>Run for one minute at full power (100%).</p> <p>If temperature does not rise, oven is not operating correctly. Contact an authorized ACP servicer or call ACP toll free at 1-866-426-2621 inside the U.S.A. or Canada.</p>
CLEAN FILTR (some models)	This oven displays CLEAN FILTR every 7 days. When the message displays, clean the air filter thoroughly. Cleaning the air filter will not shut off the message. The message will stop displaying automatically after 24 hours.
Call SERV (some models)	A problem has been detected with the cooking performance of the oven. Continue to use the oven but verify food temperatures. Call an authorized ACP servicer to correct the problem.