

Repair Parts List

MODEL NUMBER

RFS10SW2

MANUFACTURING
NUMBER

P1327709M

COMMERCIAL MICROWAVE

When requesting service or ordering parts, always provide the following information:

- Product Type
- Part Number
- Model Number
- Part Description

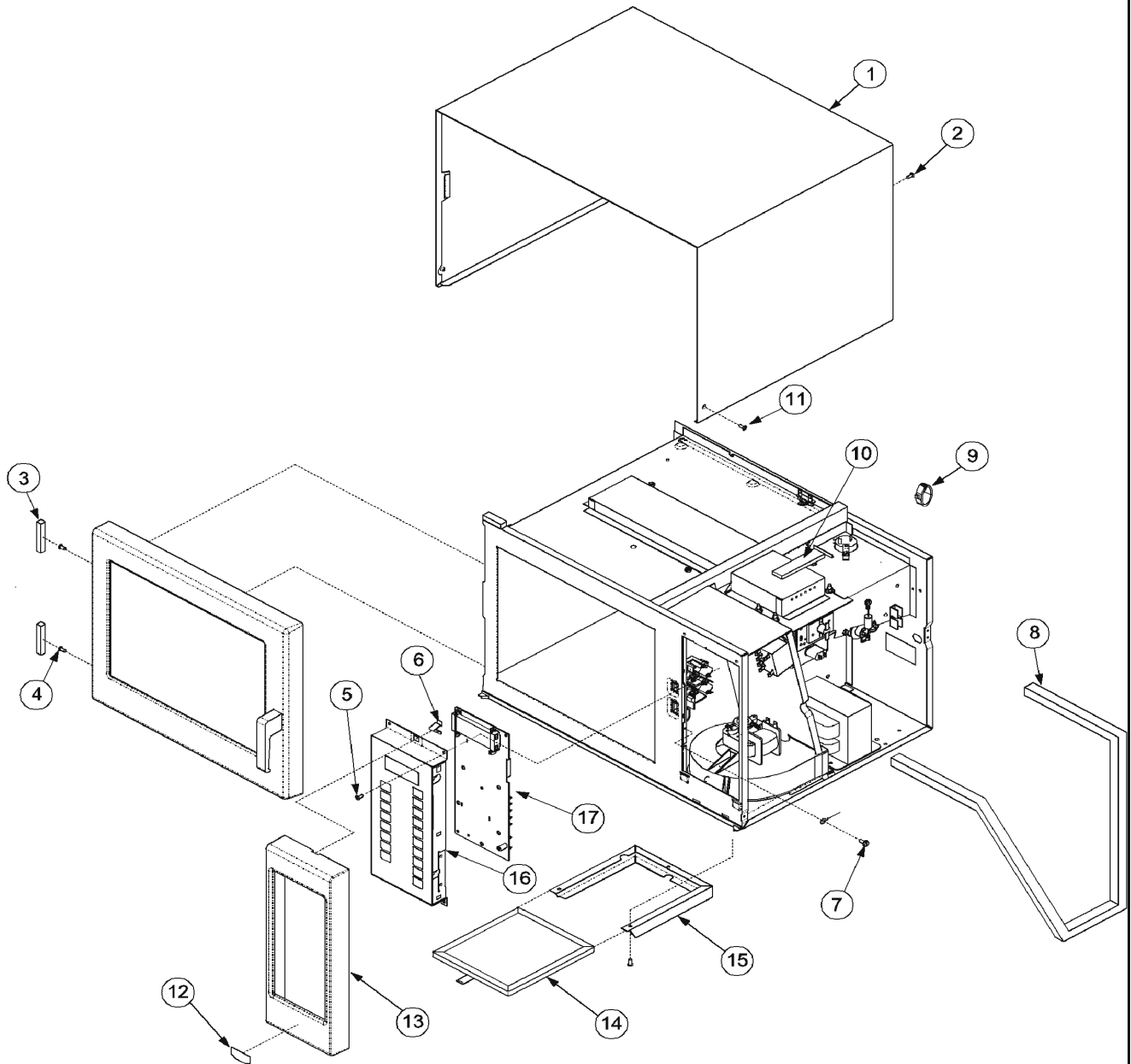
Amana[®]
HIGH PERFORMANCE HAS A NAME™

PART OF  FOODSERVICE GROUP

December 15 2006

Section: OUTER CASE

Model: RFS10SW2_P1327709M

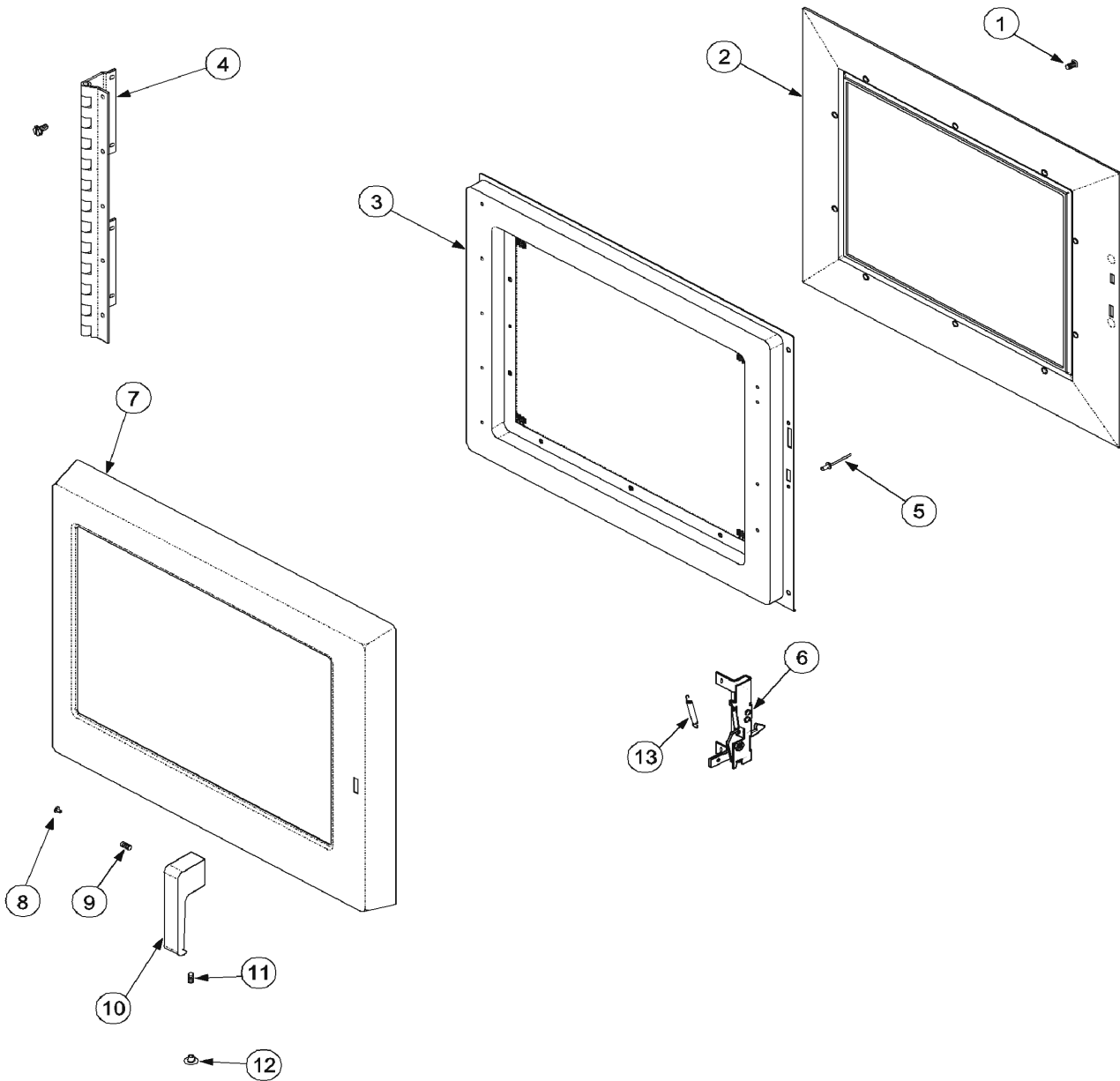


Section: OUTER CASE

No.	Part No.	Description	Series Qty
1	D7684903	WRAPPER	1
2	M0231717	SCREW, TF	6
3	A3263904	GASKET	2
4	M0229716	SCREW	4
5	M0231717	SCREW, TF	2
6	B8379401	CLIP	1
7	M0231717	SCREW, TF	1
8	A3263907	GASKET - EACH	1
9	M0118705	CLIP, GUIDE	1
10	M0275501	SEALER	1
11	M0249632	SCREW, T F	2
12	59001119	LABEL, RFS10SW2	1
13 N	12667401	ESCUTCHEON,SIDE	1
14	10169101	FILTER PREFORM	1
15	D7740902	BRACKET	1
16	R9900591	ASSY, TOUCH PANEL	1
17	59001021	HV/LV BD-AMANA PROG	1
-	RS2240001	SVC MNL, COMM'L MICRO	1
-	59001023	SHEET, TECH DATA	1

Section: DOOR

Model: RFS10SW2_P1327709M



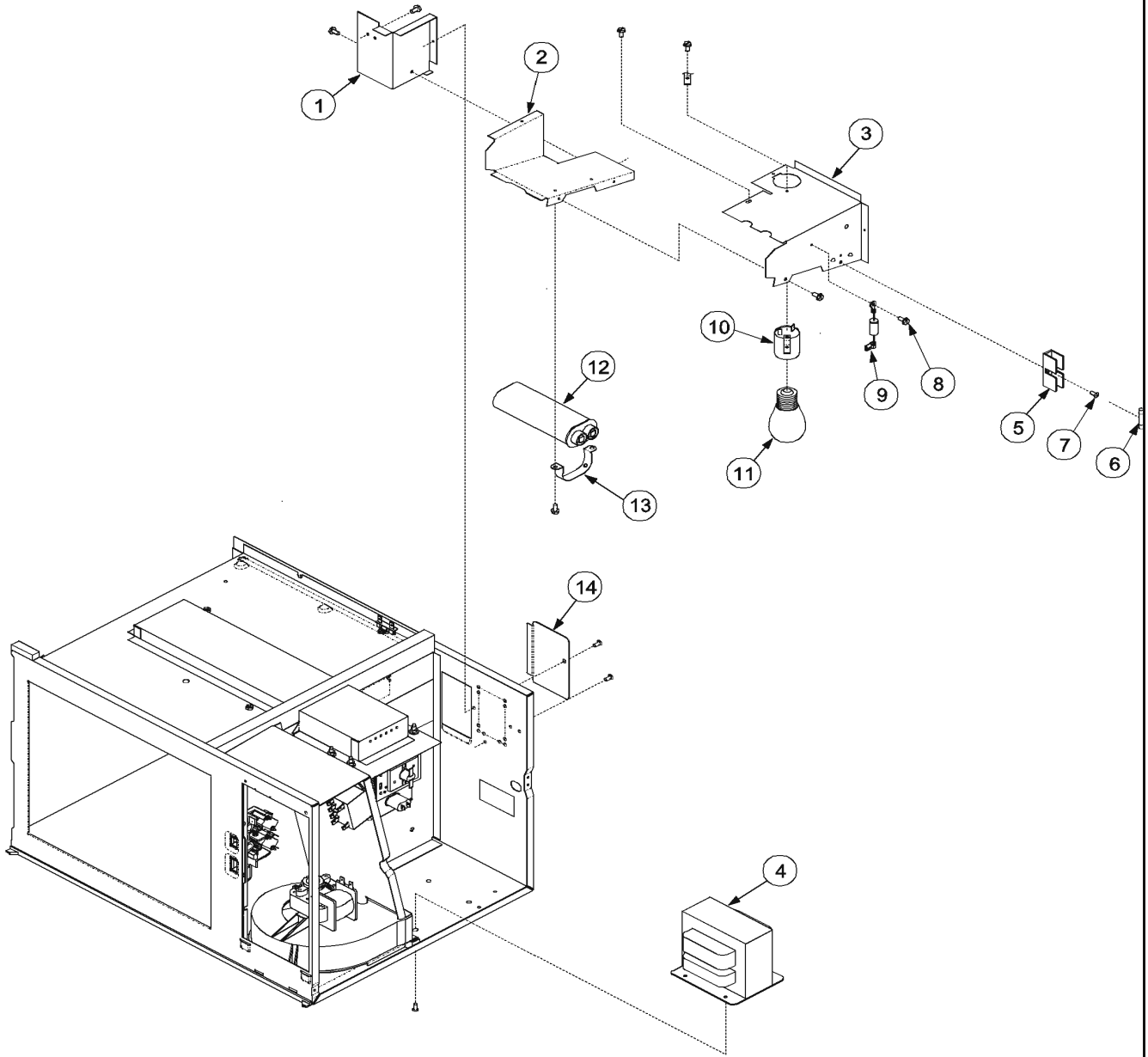
Section: DOOR

No.	Part No.	Description	Series Qty
-	R0193574	MAGNETIC Y-DRIVE BIT	1
1	M0232218	SCREW,HI/LO Y DRIVE	10
2	D7784901	INNER DOOR/GLASS ASSY	1
3	D7683729	WELDMENT-INNER DOOR (BLK)	1
-	M0229716	SCREW	5
4	C8961811	HINGE-DOOR	1
5	A4539601	POP RIVET	2
6	R0000282	LATCH KIT	1
7	R0131711	ASSY, OUTER DOOR	1
8 N	59001007	HOLE, PLUG	1
9	5051032202	SET SCREW #10 X .25	1
10	12490901	HANDLE, DOOR	1
11	M0208342	SCREW, SET	1
12	M0310305	PLUG, BUTTON (WHT)	1
13	C8893502	SPRING, DOOR LATCH	1

12/06 *Color Code (-)=Not Shown #=Series, Serial Prefix or Run No., N=Not Available

Section: ELECTRICAL COMPONENTS

Model: RFS10SW2_P1327709M



Section: ELECTRICAL COMPONENTS

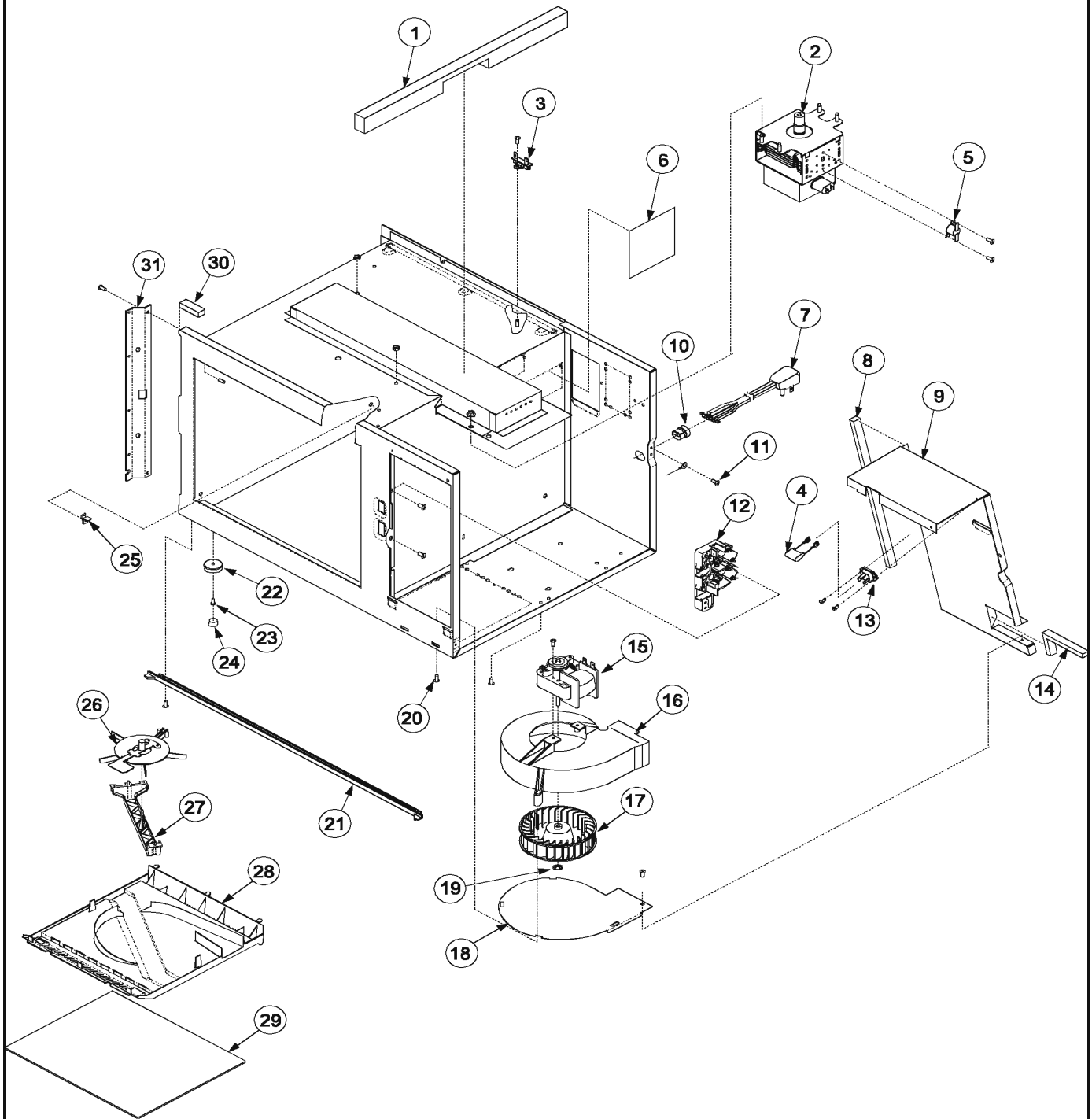
No.	Part No.	Description	Series Qty
-	M0216515	SCREW	2
1	D7772101	SHIELD, LIGHT	1
2	D7772202	AIR DUCT. BOTTOM	1
-	M0216703	SCREW ***	3
3	D7772007	DUCT, TOP AIR	1
4	10426612	TRANSFORMER	1
5	10091101	FUSE HOLDER	1
6	M0805205	FUSE- 30A	1
7	M0216703	SCREW ***	1
8	M0231717	SCREW, TF	1
9	B8383101	RECTIFIER	1
10	B8371401	RECEPTACLE, LAMP	1
11	10664502	LAMP 41W	1
12	D8547928	CAPACITOR-.74	1
13	A4055405	STRAP, CAPACITOR	1
-	M0216515	SCREW	2
14	B8370701	COVER, LIGHT	1
-	M0216703	SCREW ***	2

12/06

*Color Code (-)=Not Shown #=Series, Serial Prefix or Run No., N=Not Available

Section: BLOWER AND CAVITY RFS10SW2 & RFS12SW2

Model: RFS10SW2_P1327709M



Section: BLOWER AND CAVITY RFS10SW2 & RFS12S

No.	Part No.	Description	Series Qty
1	B8369901	GASKET, OVEN TOP	1
2	10489401	MAGNETRON	1
-	M0234029	SCREW	1
3	B5795305	FUSE, THERMAL	1
4	10172901Q	SNUBBER ASSEMBLY	1
5	B5684106	THERMAL PROTECTOR	1
-	M0229916	SCREW T.C	2
6	B8367701	WINDOW, OVEN LIGHT	1
7	10098918	POWER CORD	1
8	A3030302	GASKET	1
9	D7685413	BLOWER PARTITION, BLACK E CT	1
10	M0370003	STRAIN RELIEF	1
11	M0231717	SCREW, TF	1
12	12360506	SWITCH, INTERLOCK	1
13	R0157373	KIT, TRIAC ASSY	1
-	M0216515	SCREW	2
14	A3030302	GASKET	1
- N	M0213123	SCREW	2
15	D7670306	MOTOR, BLOWER	1
16	D7684601	SCROLL, BLOWER	1
17	C8793501	BLOWER WHEEL	1
-	M0216703	SCREW ***	4
18	C8942501	BRKT SCROLL	1
19	M0118903	CLIP-BLWR RET	1
20	M0254706	SCREW	2
-	M0231617	SCREW, TF	2
21	12667301	TRIM, OC	1
22	C8960601	FOOT, OUTER CASE	4
23	M0571201	EYELET	4
24	M0213147	SCREW	4
25	B8374901	SUPPORT, SHELF	2
26	C8943002Q	ASSY, ANTENNA	1
27	D7685505	CRADLE, ANTENNA	1
-	M0275598	SEALER	1
28	D7692501	GREASE SHIELD	1
29	C8936902	TRAY-GLASS FLOOR	1
30	A3030301	GASKET (INCH)	1
-	M0231717	SCREW, TF	2
31	C8935903	BRKT, HINGE SUPPORT	1

12/06

*Color Code (-)=Not Shown #=Series, Serial Prefix or Run No., N=Not Available

Section: SUPPLEMENTAL INFORMATION

No.	Part No.	Description	Series Qty
1	16021520	MANUAL, SERVICE COM MICRO	1
2	N 59001619	USE & CARE MANUAL	1
3	16021523	TECH SHEET, COM MICRO	1