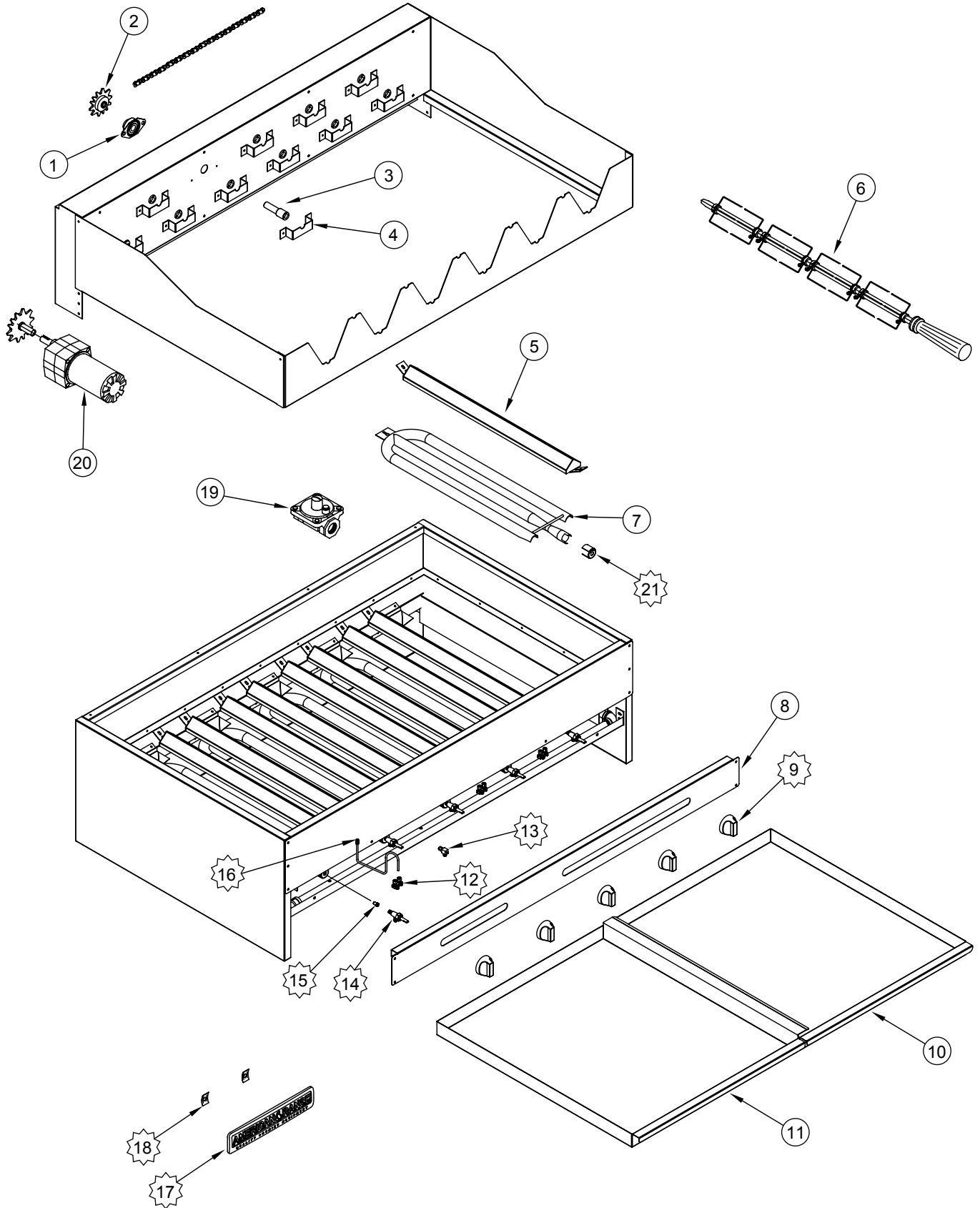
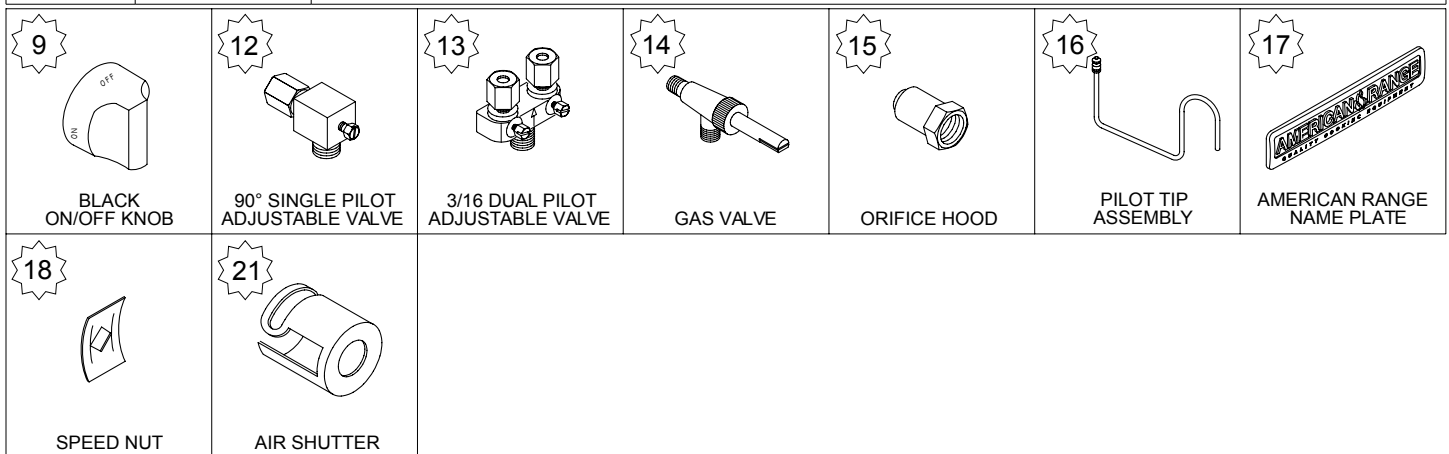


AHS



AHS

ITEM NO.	PART NO.	DESCRIPTION
1	A40005	Bearing, High Heat Flange 3/4" 10429 Bore w/3 Set Screws
2	A43020	Sprocket, 3/4" ID 35 Chain
3	A40004	Socket, Spit Assembly
5	71939	Radiant Shield for 27" Depth
	70741	Radiant Shield for 36" Depth
6	A31100	Spit, ACB 4/7/14 Complete Assy All Heavy Duty Stainless Steel
	A31016	Spit Fork, ACB Double 2 Prong 10498 304 Stainless Steel
	A31015	Spit Fork, ACB Single 2 Prong 10497 304 Stainless Steel
	A43024	Spindle, ACB Spit Rod New Style 304 Stainless Steel
	A32120	Handle, ACB-7/14 (New Style) No Slip Grip 3/8-16 Brass Insert
7	A14030	Burner, AHS Horizontal Chicken Broiler 36" Depth
	A14004	Burner for 27" Depth
9	A32001	Knob, Gas On/Off Glossy Black Flat Down
10	70743	Right Side Grease Tray for AHS-6036
	71944	Right Side Grease Tray for AHS-6027
	71947	Right Side Grease Tray for AHS-4836
	71945	Right Side Grease Tray for AHS-4827
11	70744	Left Side Grease Tray for AHS-6036
	71943	Left Side Grease Tray AHS-6027
	71946	Left Side Grease Tray for AHS-4836
	71942	Left Side Grease Tray AHS-4827
12	A29300	Valve, Pilot Elbow Adjustable 10418 1/8" NPT 3/16" CC
13	A29301	Valve, Dual Gas Pilot 1/8" x 3/16" C 10432
14	A80109	Valve, Gas Manual On/Off UL 10419
15	A29021	Orifice Hood # 35, 1/2" Brass for 36" Depth
	A29000	Orifice Hood # 39, 1/2" Brass for 27" Depth
	A29047	Orifice Hood # 49, 1/2" Brass for 36" Depth
	A29001	Orifice Hood # 52, 1/2" Brass for 27" Depth
16	A29242	Pilot, Tip Assembly AHS Broiler 71941
17	A38000	Name Plate, American Range 8" 10499 Quality Commercial Chrome
18	A44003	Nut, Speed #6 Push Black 10601
19	A80110	Valve, Pressure Regulator 3/4" 10480 Nat Gas Set 5.
	A80011	Valve, Pressure Regulator 3/4" 10481 LPG Gas Set 10.0
20	A91001	Motor, Gear ACB-7/14 120V 10410-1 Spec. Output Shaft



DESIGNED & BUILT IN USA
PROFESSIONAL COOKING EQUIPMENT

13592 Desmond St., Pacoima, CA 91331 818.897.0808 888.753.9898 www.americanrange.com

AMERICAN RANGE