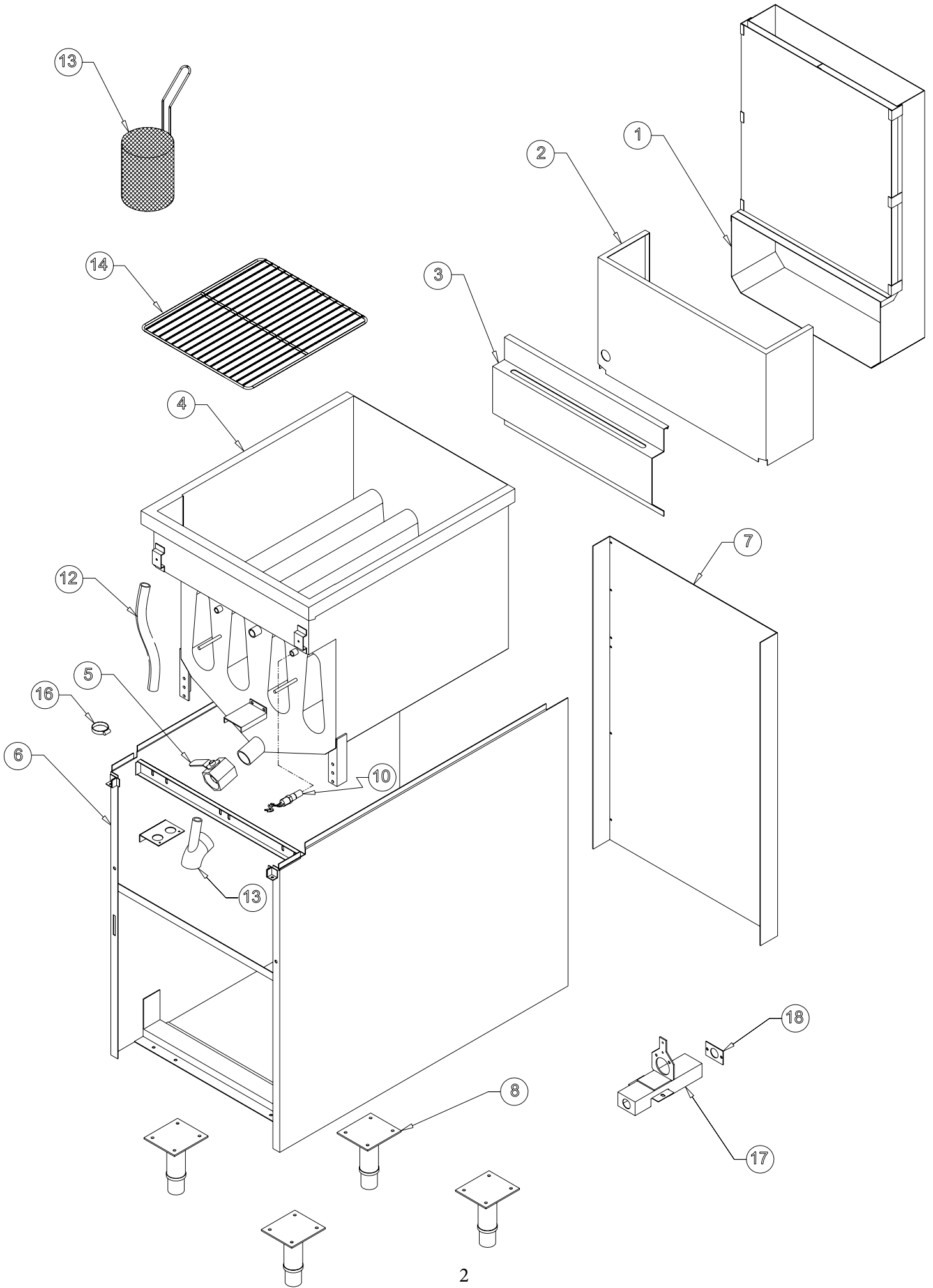


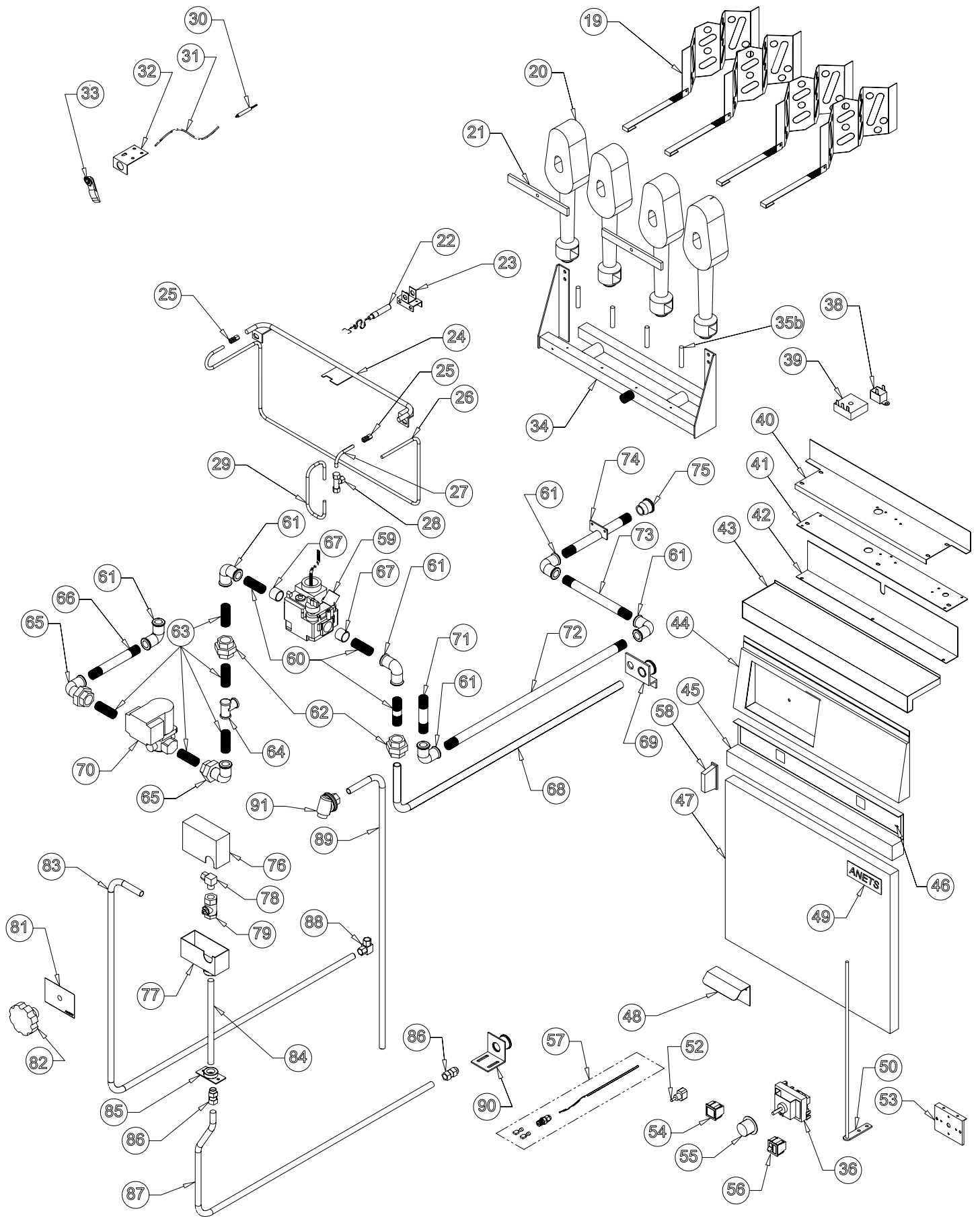


GPC18 PASTA COOKER PARTS MANUAL



Anets ● P.O. BOX. 501 ● Concord, NH 03301
Phone: (603) 225-6684 ● Fax: (603) 225-8497
E-mail: techservice@anets.com ● www.anets.com





All items marked with a * replaced the original parts in Feb of 2018 and are not direct replacements.
 If replacing any of these parts, order the proper upgrade kit listed on page 6.

ITEM	QTY	PART NUMBER	DESCRIPTION
1	1	D6070-00-C	FLUE PIPE WELDMENT
2	1	D5415-11-C	SPLASH BACK
3	1	C10020-01-C	BASKET HANGER
4	1	B3332101-C	COOK TANK WELDMENT
5*	1	60208201	DRAIN VALVE
6		SEE 6A-6E	CABINET ASSEMBLY
6A	1	A1537302-C	L/H CABINET SIDE
6B	1	A1537304-C	R/H CABINET SIDE
6C	1	A1853701-C	FRONT SPACER
6D	2	A1236602-C	BOTTOM BRACE - FRONT AND REAR
6E	2	A1537402-C	CABINET SIDE SUPPORT
7	1	A1638401-C	CABINET BACK
8	1	B3900701	LEG SET OF 4
10	1	P8904-37	HI-LIMIT
10A	1	P8903-51	HI-LIMIT RADIX WIRE (NOT SHOWN)
12	1	B13311-00-C	OVERFLOW HOSE
13		P9800-92	ROUND BASKET (OPTIONAL)
14	1	P9800-77	TUBE SCREEN
15	1	B13291-00	DRAIN ELBOW WELDMENT
16	2	PP10620	HOSE CLAMP
17	1	NOT AVAILABLE	CONDUIT BOX (AA ONLY)
18	1	NOT AVAILABLE	BOX COVER (AA ONLY)
19	4	B1004002-C	BAFFLE WELDMENT
20	4	E4556-04	BURNER
21	1	B14052-00-C	BURNER SUPPORT BAR
22	1	P8905-38	THERMOPILE
23	1	B12326-00-C	THERMOPILE BRACKET WELDMENT
24A	1	B8050701-C	PILOT BURNER ASSEMBLY (NAT)
24B	1	B8050702-C	PILOT BURNER ASSEMBLY (PRO)
25		Included with #25	COUPLING
26		Included with #25	MAIN PILOT TUBE
27		Included with #25	PILOT TUBE BURNER PIPE
28		Included with #25	UNION TEE
29		Included with #25	PILOT TUBE GAS VALVE

All items marked with a * replaced the original parts in Feb of 2018 and are not direct replacements.
 If replacing any of these parts, order the proper upgrade kit listed on page 6.

ITEM	QTY	PART NUMBER	DESCRIPTION
30	1	P9132-35	SPARK IGNITOR ELECTRODE W/ LEAD
31	1	P9132-37	GROUNDING WIRE
32	1	B14362-00-C	IGNITOR BRACKET
33	1	P9132-34	SPARK IGNITOR
34	1	D5822-00	GAS MANIFOLD
35A	4	P8905-04	GAS BURNER ORIFICE (NAT)
35B	4	P8905-05	GAS BURNER ORIFICE (PRO)
36	1	P8905-22	THERMOSTAT
38	1	P9130-16	BUZZER (OPTIONAL)
39	1	B5309801-C	TIMER REPLACEMENT KIT (OPTIONAL)
40	1	A2972201-C	UPPER COMPONENT PANEL
41*	1	A2972101-C	LOWER COMPONENT PANEL
42*	1	A2972301-C	REMOVABLE COMPONENT PANEL
43	1	B3636702-C	TOP DECK WELDMENT
44*	1	B3636804-C	UPPER FRONT PANEL SSTC
45	1	A3680102-C	LOWER FRONT PANEL SSTC
46	1	P9204-33	LOWER FRONT PANEL LABEL SSTC
47	1	B2305606-C	DOOR W/ HANDLE ASSEMBLY
48	1	A2337002-C	DOOR HANDLE
49	1	NOT AVAILABLE	NAME PLATE - GOLDEN FRY
50	1	B12149-00-C	DOOR HINGE
51	1	PP10659	BUSHING REUCER 1/2" X 3/8" BRASS (NOT SHOWN)
52	1	P9101-54	TOGGLE SWITCH
53	1	B12517-00-C	THERMOSTAT BRACKET
54	1	P9131-50	INDICATOR LIGHT CLEAR
55	1	P8902-80	THERMOSTAT KNOB
56	1	P9101-35	POWER SWITCH W/ LIGHT
57	1	B5309901-C	TEMP PROBE KIT SSTC
58	1	P6071300	DOOR MAGNET
FOR UNITS WITH 11 DIGIT SERIALS, GO TO PAGE 7 AND 8 FOR CORRECT GAS PARTS			
59A	1	P5045651-C	GAS VALVE (NAT)
59B	1	P5045652	GAS VALVE (PRO)
60	1	P7037090	CLOSE NIPPLE 1/2" BLACK
61	1	P7037678	ELBOW 1/2" BLACK
62	1	P7036902	UNION 1/2" BLACK

All items marked with a * replaced the original parts in Feb of 2018 and are not direct replacements.
 If replacing any of these parts, order the proper upgrade kit listed on page 6.

ITEM	QTY	PART NUMBER	DESCRIPTION
63	1	P8820-52	NIPPLE 1/2" X 1-1/2" BLACK
64	1	P7036855	TEE 1/2" BLACK
65	1	PP10653	UNION ELBOW 1/2" BLACK
66	1	P7037098	NIPPLE 1/2" X 4-1/2" BLACK
67	1	P8825-59	REDUCER BUSHING 3/4" X 1/2" FLUSH MOUNT
68	1	NOT AVAILABLE	INLET GAS PIPE
69	1	B13607-00-C	REDUCER WELDMENT
70	1	P8904-01	SOLENOID GAS VALVE, POWER BURST
71	1	P8820-05	NIPPLE 1/2" X 2-1/2" BLACK (AA ONLY)
72	1	NOT AVAILABLE	INLET PIPE 21" BLACK (AA ONLY)
73	1	P7037140	NIPPLE 1/2" X 7-1/2" BLACK (AA ONLY)
74	1	NOT AVAILABLE	GAS PIPE 6-3/4" (AA ONLY)
75	1	NOT AVAILABLE	REDUCER COUPLING 3/4" X 1/2" BLACK
76*	1	A1873001-C	WATER SUPPLY SUPPORT BRACKET
77*	2	A8043701-C	WATER VALVE SUPPORT BRACKET
78*	1	P8840-72	COMPRESSION ELBOW 1/2" TU X 3/8" NPT
79*	1	PP10945	WATER VALVE
80*	1	B8047802-C	VALVE HANDLE EXTENSION WELDMENT (NOT SHOWN)
81	1	P9203-01	WATER GRADIENT LABEL
82*	1	PP11187	WATER VALVE BAR KNOB
83*	1	A8046204	WATER LINE VALVE TO ELBOW
84*	1	60109502	TUBE 3/8" X 7-1/2" WATER
85*	1	B13423-00-C	ADJUSTING COLLAR
86*	1	60086402	COMPRESSION UNION
87*	1	A8046104	WATER LINE INLET SUPPLY
88*	1	P88401-25	COMPRESSION ELBOW 1/2" TU X 1/2" TU
89*	1	A8046003	WATER LINE ELBOW TO FAUCET
90*	1	A8045902-C	WATER LINE INLET BRACKET
91*	1	PP11189	FAUCET
92	1	P9800-88	18" BULK BASKET (OPTIONAL, NOT SHOWN)
93	1	C10050-00-C	DRAIN BOARD

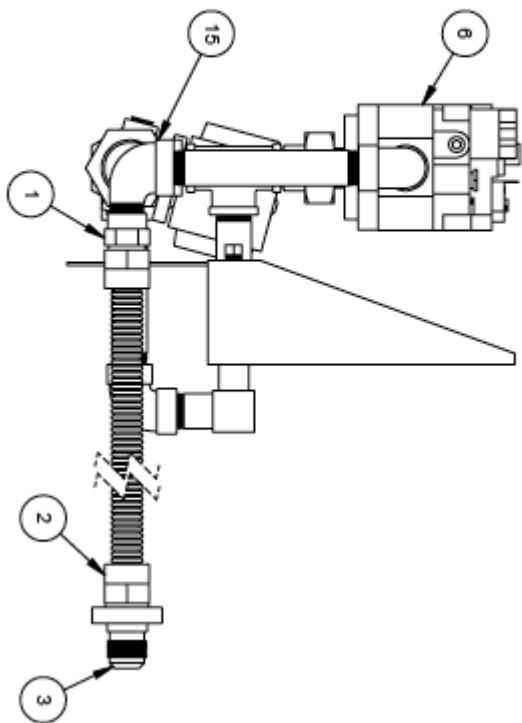
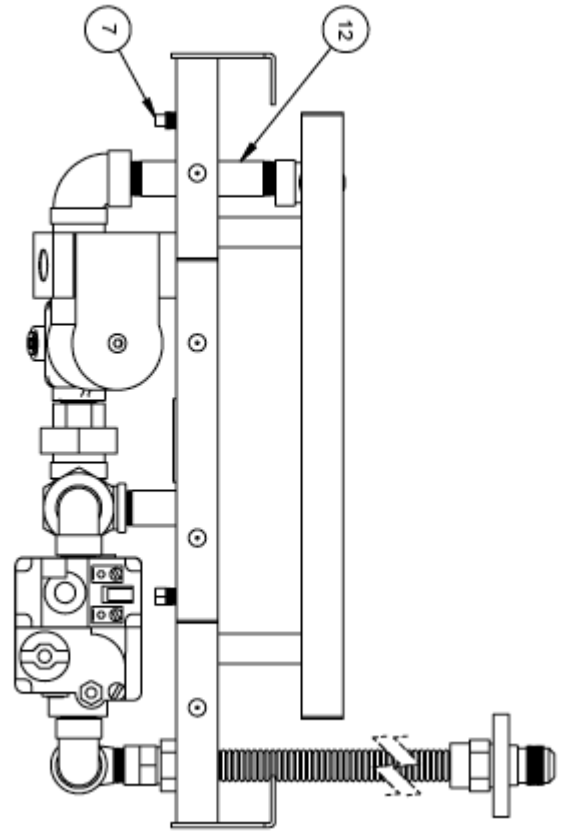
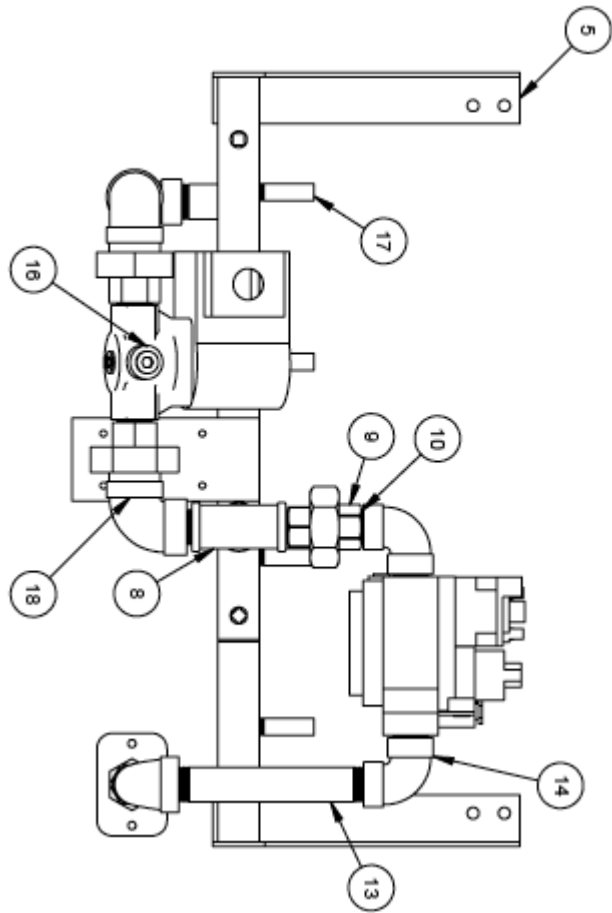
All items marked with a * replaced the original parts in Feb of 2018 and are not direct replacements. If replacing any of these parts, order the proper upgrade kit listed below.

U1	1	B8707503-CL	UPGRADE KIT, WATER SUPPLY GPC18 W/ SSTC
U2	1	B8707504-CL	UPGRADE KIT, WATER SUPPLY GPC18 W/ DIGITAL CONTROL

PAGE INTENTIONALLY LEFT BLANK

GAS MANIFOLD PARTS LIST FOR UNITS WITH 11 DIGIT SERIAL NUMBERS

ITEM	QTY	PART NUMBER	DESCRIPTION
1	1	60127501	ADAPTER MALE FLARE X FPT
2	1	60128015	22" YELLOW GAS HOSE W/ FITTINGS
3	1	A8029105	GAS SUPPLY COUPLING
4	1	B6789101	BOOST VALVE WIRING (NOT SHOWN)
5	1	D5822-00	BURNER MANIFOLD WELDMENT
6	1	ITEM 59 PAGE 5	GAS VALVE
7	2	P7036725	STEEL PLUG 1/8"
8	1	P7036855	TEE BLACK 1/2"
9	1	P7036902	UNION BLACK 1/2"
10	7	P7037090	NIPPLE CLOSED BLACK 1/2"
12	1	P7037098	NIPPLE 1/2" X 4-1/2" BLACK
13	1	P7037100	NIPPLE 1/2" X 5-1/2" BLACK
14	2	P7037678	ELBOW 90 1/2" BLACK
15	1	P7037750	ELBOW ST 90 1/2" BLACK
16	1	P8904-01	SOLENOID GAS VALVE, POWER BURST
17	4	ITEM 35 PAGE 4	BURNER ORIFICE JET
18	2	PP10653	UNION ELBOW 90 1/2" BLACK
19	1	P8905-38	THERMOPILE (NOT SHOWN)
20	2	P8825-59	GAS VALVE BUSHING 3/4" X 1/2" (INCLUDED W/ GAS VLV) (NOT SHOWN)
21	1	P9110-04	STRAIGHT CONNECTION ARMORFLEX (NOT SHOWN)
22	1	P9110-05	90° CONNECTION ARMORFLEX (NOT SHOWN)
23	1	A8046701	STEEL CONDUIT 3/8" (NOT SHOWN)
24	2	P9130-20	ARMORFLEX INSULATOR (NOT SHOWN)
25	2	PP10798	TERMINAL DISC .250 RED INSULATED (NOT SHOWN)
26	1	P7037363	NIPPLE 3/4" X 6" BLACK (NOT SHOWN)
27	1	P7036603	COUPLING 3/4" NPT CRS (NOT SHOWN)





Anets ● P.O. BOX. 501 ● Concord, NH 03301
Phone: (603) 225-6684 ● Fax: (603) 225-8497
Tech Service E-mail: techservice@anets.com ● www.anets.com