

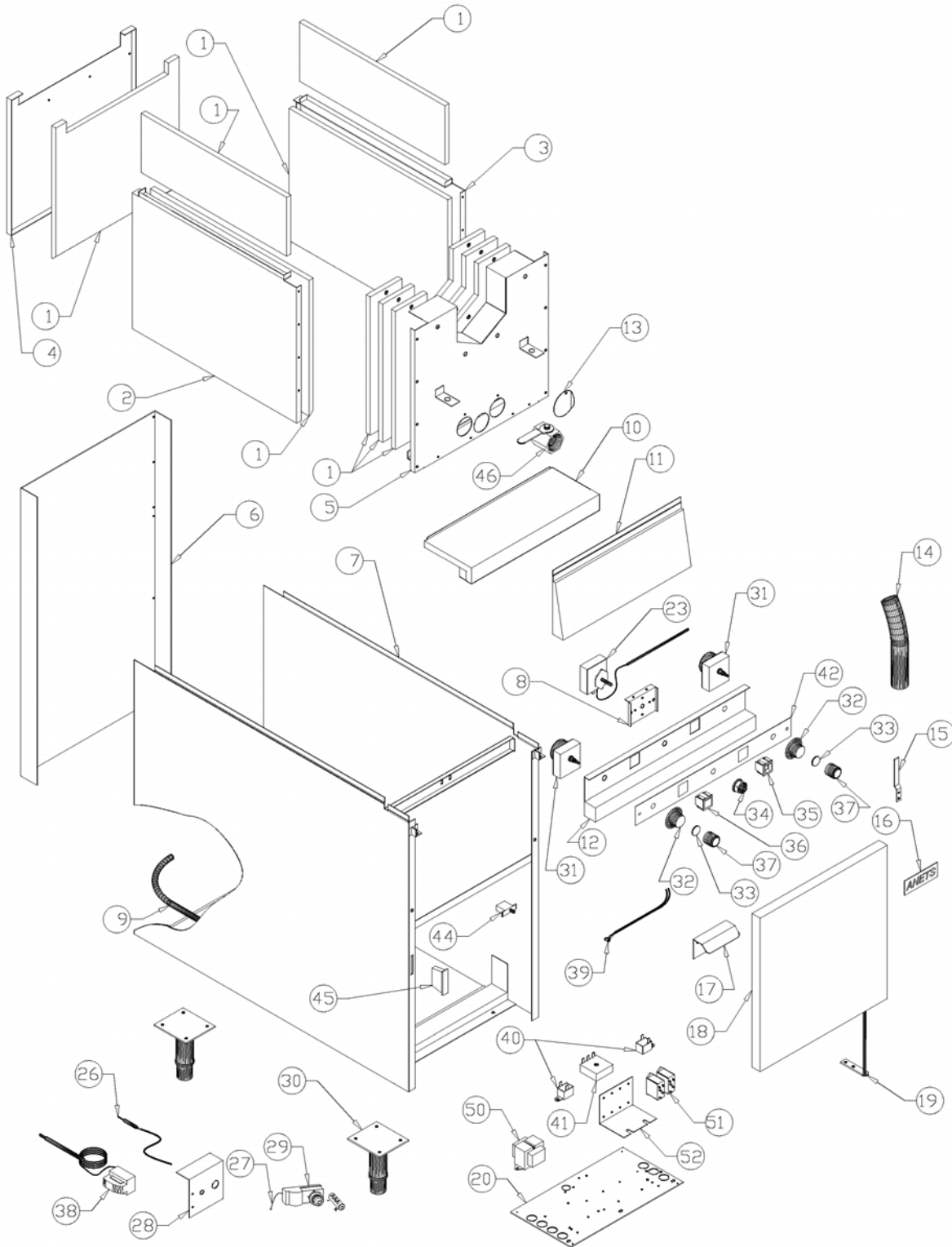
Effective: November 1, 2007

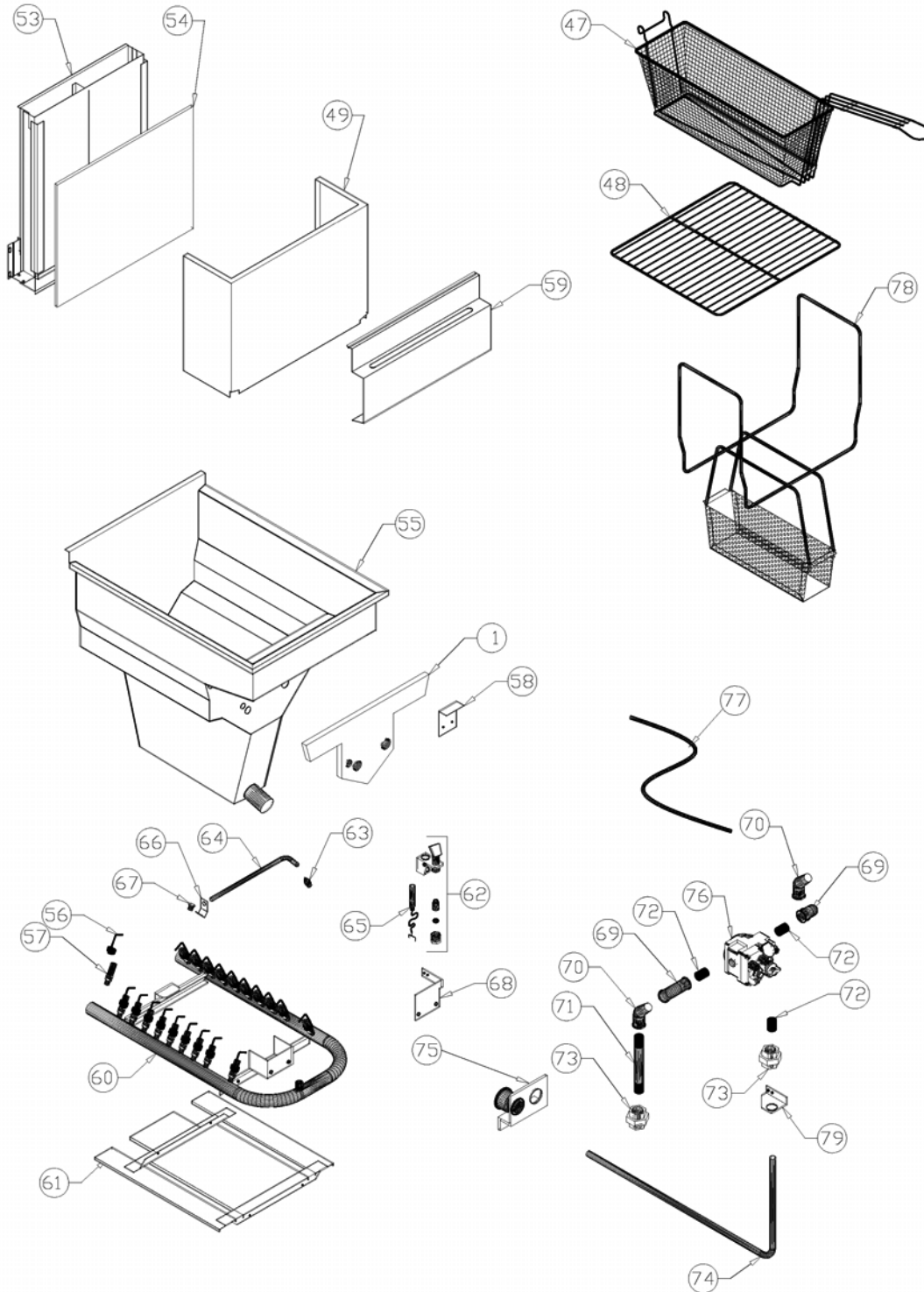
Till:.....



Model MX14E shown

IMPORTANT: When ordering replacement parts...please supply model and serial number... type of gas... item number...description and part number. Part orders that are shipped due to lack of above information are subject to restocking charge. No merchandise can be returned without written permission.







MX14 DEEP FRYER PARTS LIST

ITEM	QTY				PART NUMBER	DESCRIPTION
	E	EG	D	AA		
1	1	1	1	1	P9302-61	INSULATION KIT
2	1	1	1	1	D5181-02	SIDE SHROUD L.H.
3	1	1	1	1	D5181-01	SIDE SHROUD R.H.
4	1	1	1	1	E4454-00	REAR SHROUD
5	1	1	1	1	D5141-00	FRONT SHROUD
6	1	1	1	1	E4476-00	CABINET BACK
7	1	1	1	1	E4455-00	CABINET S.A.
8	1	1	1	1	B12517-00	THERMOSTAT BRACKET
9	1	---	1	1	P9120-11	CONDUIT - 4'
10	1	1	1	1	C8990-01	FRONT TRIM
11	1	1	1	1	D5165-01 D5165-02	FRONT PANEL FRONT PANEL (COMPUTER MODEL)
12	1	1	1	1	D5161-00	LOWER FRONT TRIM
13	1	1	1	1	B12135-00	PILOT VIEWER COVER
14	1	1	1	1	P9313-60	DRAIN PIPE EXTENTION
15	1	1	1	1	B5065-00	TUBE HOLDER
16	1	1	1	1	P9203-35 P9204-75	NAME PLATE (BEFORE 03.01.2008) NAME PLATE (AFTER 03.01.2008)
17	1	1	1	1	C9004-01	DOOR HANDLE
18	1	1	1	1	E4472-01	DOOR S.A.
19	1	1	1	1	B12149-00	DOOR HINGE
20	1	1	1	1	D5256-00	COMPONENT PANEL
21						
22						
23	1	1	1	1	P8901-71 P8905-03	THERMOSTAT
24						
25						
26	1	1	1	1	P9132-35	SPARK IGNITOR ELECTRODE W/ LEAD
27	1	1	1	1	P9132-37	GROUNDING WIRE
28	1	1	1	1	B14383-00	IGNITOR BRACKET
29	1	1	1	1	P3132-34	SPARK IGNITOR
30	1	1	1	1	P9304-05	LEG ASSY
31	---	---	1	1	P8902-84	TIMER 15 MINUTE
32	---	---	2	2	P8903-06	15 MINUTE CYCLE TIMER KNOB
33	---	---	2	2	P8903-08	PUSH BUTTON (MODELS D & AA)
34	1	1	1	1	P8902-80	THERMOSTAT KNOB
35	1	---	1	1	P9101-35	POWER SWITCH
36	1	---	1	1	P9131-50	PILOT LIGHT
37	2	2	2	2	P9101-80	TIMER PUSH BUTTON COVER
38	1	1	1	1	P8905-02	HI-LIMIT THERMOSTAT
39	1	1	1	1	P8903-51	HI-LIMIT ACCESS WIRES

	QTY				PART NUMBER	DESCRIPTION
	E	EG	D	AA		
40	---	---	1	---	P8900-77	TIMER – BUZZER
41	1	---	1	1	98902-75	MELT CYCLE TIMER (OPTIONAL)
42	---	1	---	---	P9201-72	CONTROL PANEL FACE -UNITS WITH MELTER (OPTIONAL)
	1	---	1	1	P9201-80	
					P9201-81	
43						
44	1	1	1	1	P9101-23	DOOR MICROSWITCH (OPTIONAL) P9100-31
45	1	1	1	1	P9302-14	DOOR MAGNET
46	1	1	1	1	P8835-16	DRAIN BALL VALVE
47	1	1	1	1	P9800-08	BASKET
48	1	1	1	1	P9800-45	SCREEN
49	1	1	1	1	D5178-00	SEDIMENT TRAY (OPTIONAL)
50	1	1	1	1	P9132-21	TRANSFORMER (COMPUTER MODELS ONLY)
51					P9132-28	RELAY (COMPUTER MODELS ONLY)
52	1	1	1	1	C9114-00	RELAY BRACKET (COMPUTER MODELS ONLY)
53	1	1	1	1	D5143-00	FLUE
54	1	1	1	1	D5415-03	SPLASH BACK
55	1	1	1	1	P9315-83	STAINLESS STEEL POT
56					P9500-54	SPRING CLIP FOR BURNER JET (PART OF ITEM 60)
57					P8840-96 P8840-95	BURNER ORIFICE (NAT. GAS) (PART OF ITEM 60) BURNER ORIFICE (LP) (PART OF ITEM 60)
58	1	1	1	1	B12114-00	UPPER POT SUPPORT BRACKET
59	1	1	1	---	C9054-01	BASKET HANGER
	---	---	---	2	D5901-00	BASKET HANGER AA
60	1	1	1	1	P9315-68 P9315-69	MANIFOLD ASSY (NATURAL GAS) MANIFOLD ASSY(LP)
61					C9020-00	MANIFOLD BAFFLE S.A.
62	1	1	1	1	B12540-00	PILOT BURNER
63					P8904-69 P8904-99	ORIFICE NAT. (PART OF ITEM 60) ORIFICE LP. (PART OF ITEM 60)
64					P8904-68	CROSSOVER TUBE (PART OF ITEM 60)
65	1	1	1	1	P8905-38	THERMOPILE
66					B13769-00	CROSSOVER TUBE SUPPORT BRACKET(PART OF ITEM 60)
67	1	1	1	1	P8805-02	1/8" NPT SQUARE HD BLACK PIPE PLUG
68	1	1	1	1	C10166-00	PILOT BRACKET
69	1	1	1	1	P8820-11	ELBOW ½ BLACK
70	1	1	1	1	P8820-79	STREET ELBOW ½"X 45° BLACK
71	1	1	1	1	P8820-53	NIPPLE ½ x 5" BLACK
72	1	1	1	1	P8820-10	CLOSE NIPPLE ½" BLACK
73	1	1	1	1	P8820-11	UNION ½"X 90° BLACK
74	1	1	1	1	C10142-00	INLET GAS PLUMBING PIPE



MX14 DEEP FRYER PARTS LIST

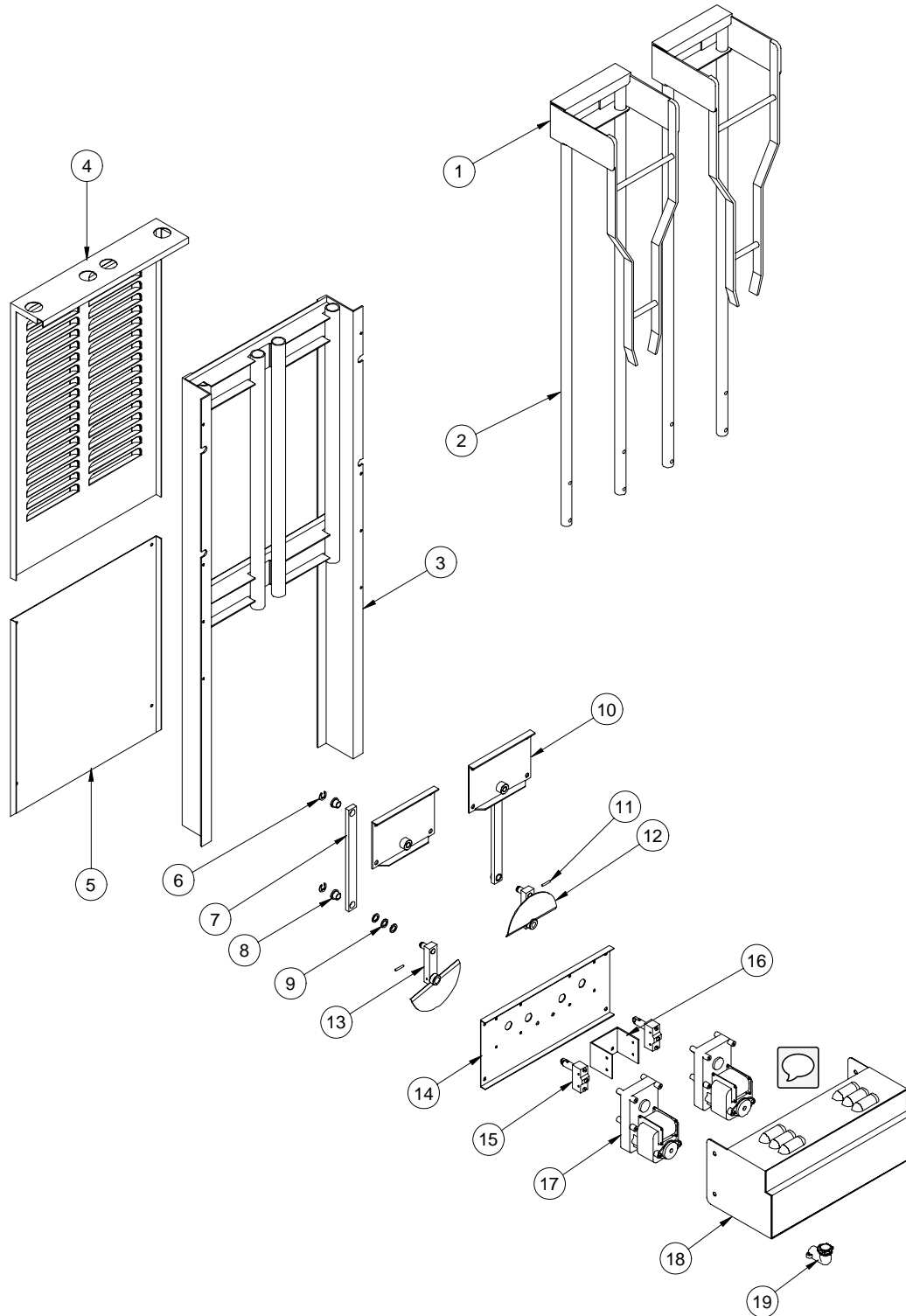
ITEM	QTY				PART NUMBER	DESCRIPTION
	E	EG	D	AA		
75	1	1	1	1	B13607-00	REDUCER WELDMENT
76	1	1	1	1	P8905-37 P8903-42 P8903-50	GAS VALVE (NAT) GAS VALVE (NAT) GAS VALVE REGULATOR REPLACENT KIT (LP)
77	1	1	1	1	P9315-33	PILOT LINE FLEXIBLE TUBE
78	1	1	1	1	D5178-00	SEDIMENT TRAY (OPTIONAL)
79	1	1	1	1	B12152-00	FRONT PLUMBING BRACKET
80						

ITEMS NOT SHOWN

ITEM	QTY				PART NUMBER	DESCRIPTION
	E	EG	D	AA		
81	1	1	1	1	P9800-09	DOUBLE BASKET (OPTIONAL)
82	1	1	1	1	C9144-00	CLEAN OUT ROD
83	1	1	1	1	K1150-00	SWIVEL CASTER (OPTIONAL)
84	1	1	1	1	K1125-00	RIGID CASTER (OPTIONAL)
85	1	---	1	1	P9120-02	CORD SET
86	1	---	1	1	P9110-28	STRAIGHT CONNECTOR
87	2	---	2	2	P9130-20	INSULATOR – FIBRE BUSHING
88	1	---	1	1	P8909-75	MELT TIMER (OPTIONAL)
89	1	1	1	1	P9101-33	MELT / FRY SWITCH (OPTIONAL)
90						
91						

IMPORTANT: When ordering replacement parts...please supply model and serial number..... type of gas..... item number.....description and part number. Part orders that are shipped due to lack of above information are subject to restocking charge. No merchandise can be returned without written permission.

AUTOMATIC BASKETS LIFT PARTS



AUTOMATIC BASKETS LIFT PARTS

ITEM	QTY	PART NUMBER	DESCRIPTION
1	2	D5901-00	Basket Hanger
2	4	C10087-03	Lift Tube – (Gas)
3	1	D6194-00	Lift Guide Weldment
4	1	D5895-00	Lift Back Cover
5	1	D6202-00	Access Cover – (Gas)
6	4	P8080-24	E Type Retaining Ring
7	2	B13492-04	Outer Crank
8	4	P8610-51	Bronze Thrust Bearing
9	6	B13843-00	Shaft Arm Spacer
10	2	D5899-00	Cross Member
11	2	P8060-77	Roll Pin
12	1	B14295-00	Limit Switch/Crank Assembly – R.H.
13	1	B14300-00	Limit Switch/Crank Assembly – L.H.
14	1	C10975-00	Motor Housing Cover
15	2	P9101-67	Micro switch
16	1	B14214-00	Micro switch Bracket
17	2	P8105-10 *	Motor, 115V, 50/60
	2	P8105-09 **	Motor, 208/230V, 50/60
18	1	D6203-00	Motor Housing Weldment
19	1	P9110-05	90° Connector
20	2	P9132-28	Relay (computer model only; installed in fryer compartment)

* - For Rex motor (P8105-08) should be consider K6500 - conversion kit

** - For Rex motor (P8110-65) should be consider K6501 - conversion kit

IMPORTANT: When ordering replacement parts...please supply model and serial number..... type of gas..... item number.....description and part number. Part orders that are shipped due to lack of above information are subject to restocking charge. No merchandise can be returned without written permission.