

Display Cabinet

Model DC-27L owner's manual

Manufacturing Numbers:

9500701



DC-27L DISPLAY CASE

OWNER INFORMATION

General

This manual provides the safety, installation, and operating procedures for this unit. Please read this manual prior to installing and operating the unit.

This unit is manufactured from the finest materials available and assembled to Roundup's strict quality standards. This unit has been tested at the factory to ensure dependable trouble-free operation.

Service/Technical Assistance

If you experience any problems with the installation or operation of your unit, contact your Authorized Service Agency.

Warranty Information

Please read the full text of the Limited Warranty in this manual.

If the unit arrives damaged, contact the carrier immediately and file a damage claim with them. Save all packing materials when filing a claim. Freight damage claims are the responsibility of the purchaser and are not covered under warranty.

The warranty does NOT extend to:

- Damages caused in shipment or damage as result of improper use.
- Installation of electrical service.
- Normal maintenance as outlined in this manual.
- Malfunction resulting from improper maintenance.
- Damage caused by abuse or careless handling.
- Damage from moisture into electrical components.
- Damage from tampering with, removal of, or changing any preset control or safety device.

Fill in the information below and have it handy when calling Antunes Technical Service for assistance. The serial number is on the specification plate located on the rear of the unit.

Purchased From: _____

Date of Purchase: _____

Model No.: _____

Serial No.: _____

Mfg. No.: _____

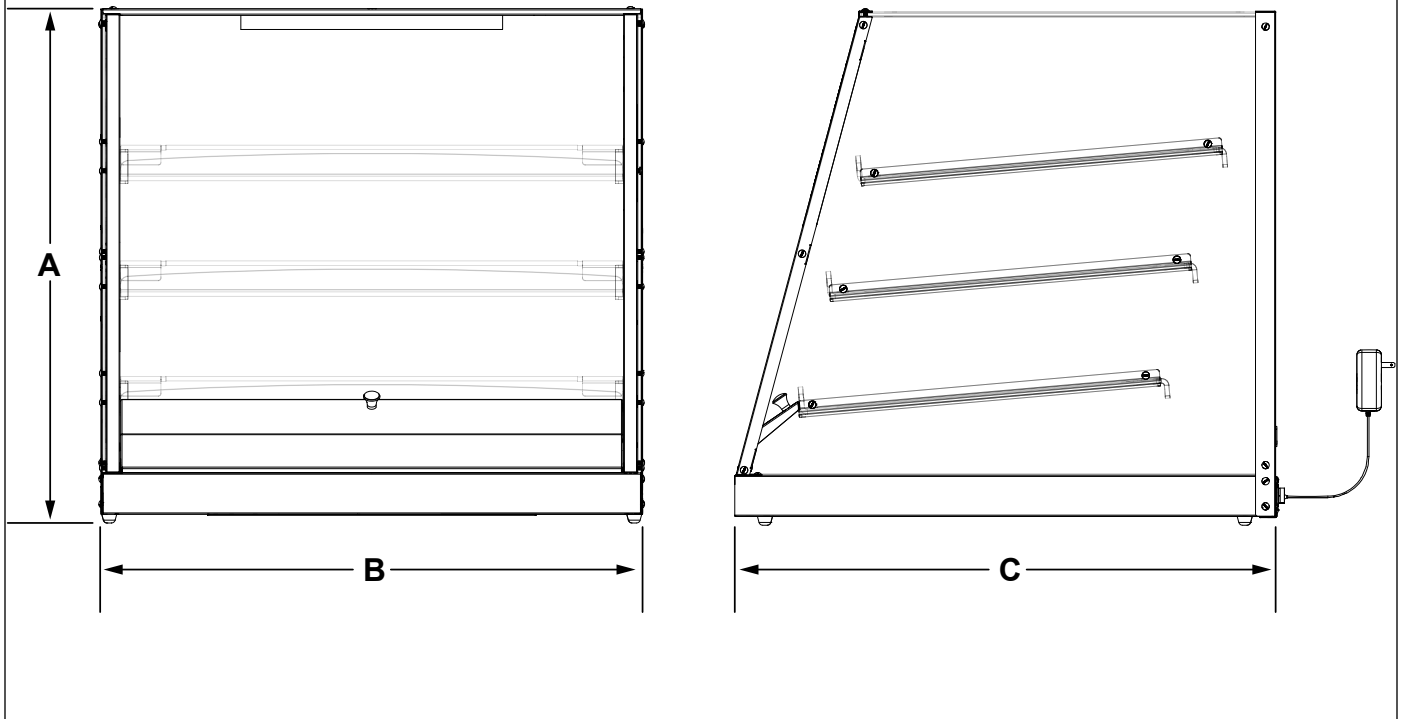
Network ID Number: _____

Use only genuine Antunes replacement parts in this unit. Use of replacement parts other than those supplied by the manufacturer will void the warranty.

IMPORTANT! Keep these instructions for future reference. If the unit changes ownership, be sure this manual accompanies the equipment.

SPECIFICATIONS

Dimensions



Model & Mfg. No.	Height (A)	Width (B)	Depth (C)
DC-27L 9500701	25" (635 mm)	27" (686 mm)	27" (686 mm)

Power Cord and Plug Configuration

Model & Mfg. No.	Volts	Watts	Amps	Hertz	Plug Description
DC-27L 9500701	24	24	1	50/60	Trans Wall 24 VDC, 1A Level V

DC-27L DISPLAY CASE

INSTALLATION

Unpacking

1. Open the large box. It contains:
 - DC-27L Display Case
 - Three shelves
 - Power Supply
 - Owner's Manual
2. Remove the foam inserts from the box.
3. Carefully remove the display case from the large box.
4. Perform the Daily Cleaning steps found in the Maintenance section of this manual.

NOTE: If any parts are missing or damaged, contact Antunes Customer Service IMMEDIATELY at 1-877-392-7856 (North America only), or 630-784-1000.

Location

When placing the toaster into service, pay attention to the following guidelines:

- Do NOT block or cover any openings on the unit.
 - Keep away from heated surfaces.
1. Place the display case in the required position.
 2. Load product into the display case. Insert appropriate card into the display card holder.
 3. Connect the power supply to the rear of the Display Case and connect to the appropriate outlet.
 4. Turn the rocker switch on the rear of the unit on to turn on the Display Cabinet lights.
 5. Use the flip-down front panel (Figure 1) to store and conceal product wrapping materials.

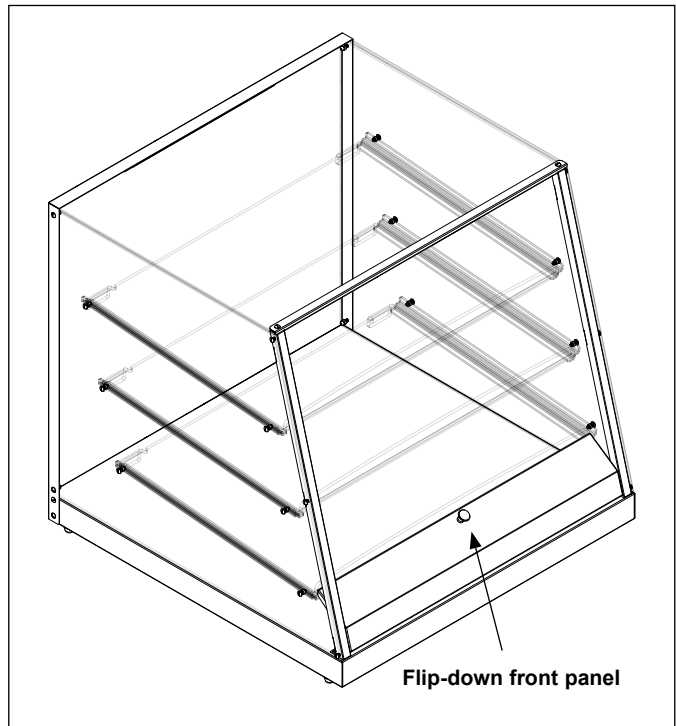


Figure 1. DC-27L Display Case (front)

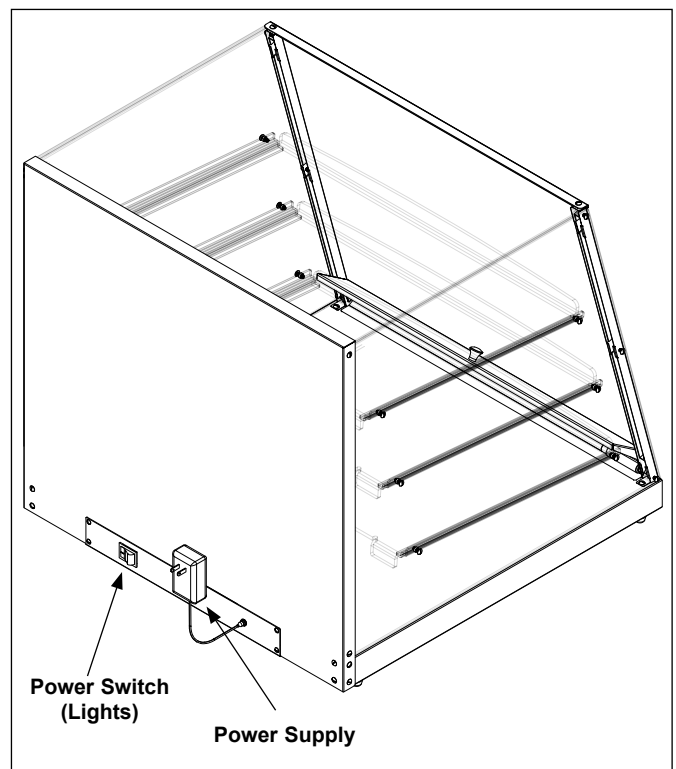


Figure 2. DC-27L Display Case (rear)

MAINTENANCE

Daily Cleaning

Follow these steps to clean the Display Case.

1. Turn the rocker switch on the rear of the Display Case off. Unplug the power supply from the outlet and from the rear of the Display Case.
2. Remove food product from the display case and store properly.
3. Remove the shelves from the display case. Remove the crumbs from the shelves with a clean, sanitizer-soaked towel and dispose the crumbs into the trash receptacle.
4. Take the shelves to the 3-compartment sink to wash with hot water and an approved all purpose cleanser. For heavier soils, pre-spray with an approved heavy duty degreaser solution prior to washing.
5. Rinse the shelves with clean, hot water at the 3-compartment sink.
6. Sanitize the shelves with an approved sanitizer solution for one minute at the 3-compartment sink and allow to air dry.
7. Using a clean, sanitizer-soaked towel; sweep crumbs out of the display case and empty into the trash receptacle.
8. Spray and wipe the interior and exterior walls of the display case an approved all purpose cleaning solution and a clean, sanitizer-soaked towel. For heavy soils, scrub the display case walls with non-scratch pad that will not damage the display case surfaces.
9. Rinse the interior and exterior walls of the display case with a separate, clean sanitizer-soaked towel.
10. Spray the interior and exterior walls of the display case with sanitizer solution and allow to air dry.
11. Reinstall the shelves and load food product.
12. Reconnect the power supply to the rear of the unit and to the appropriate outlet. Turn the rocker switch on.

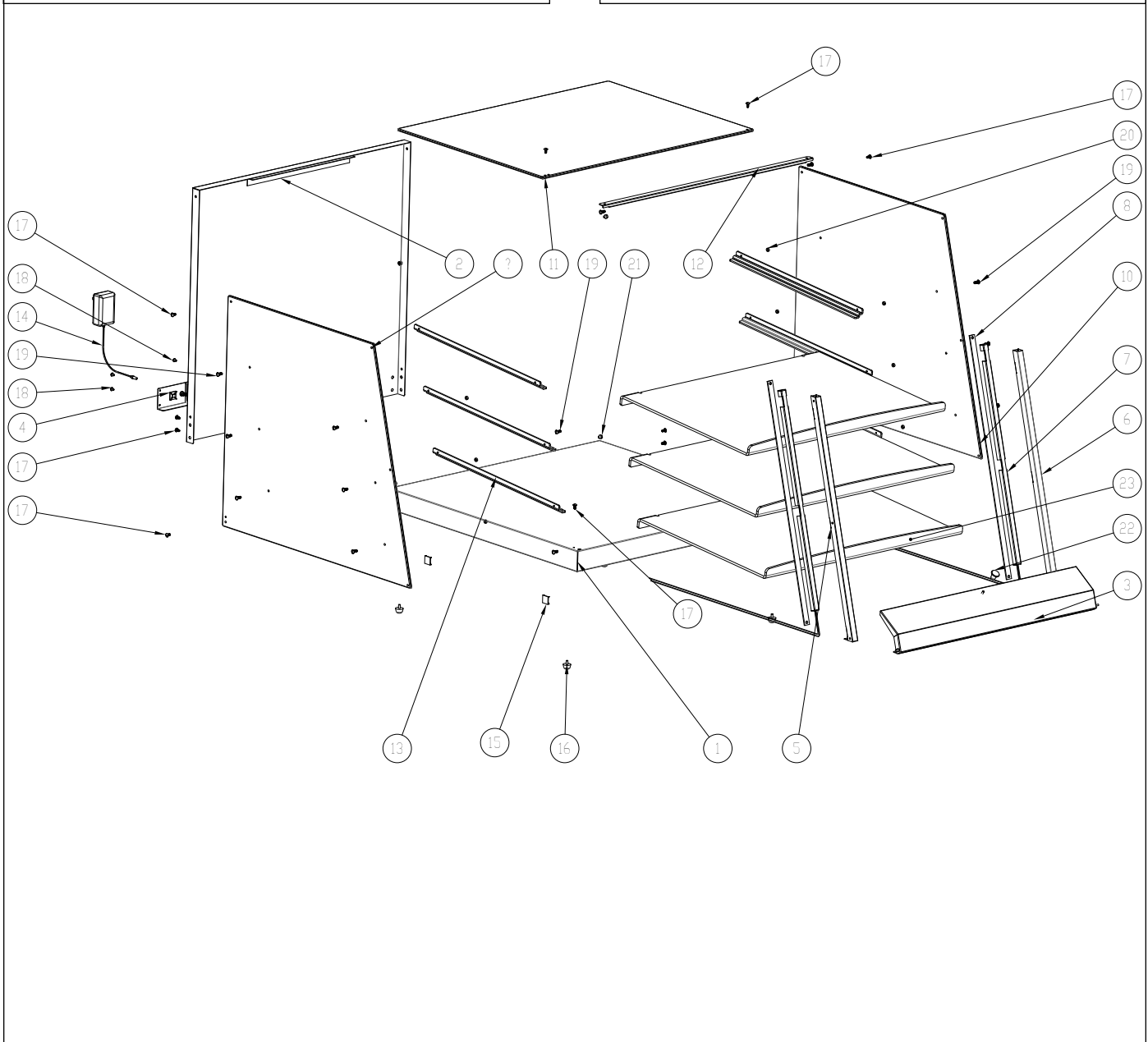
DC-27L DISPLAY CASE

REPLACEMENT PARTS

Item	Part No.	Description	Qty.
1	0507339	Base, Display Case	1
2	0022249	Back Panel Weldment	1
3	0022246	Front Panel Weldment	1
4	0013230	Control Panel Assembly	1
5	0507343	Light Column LH	1
6	0507344	Light Column RH	1
7	0013227	Light Channel Assem. 20"	2
8	0900349	Acrylic Cover Strip for LED	2
9	0900344	Acrylic Side Panel LH	1
10	9099345	Acrylic Side Panel RH	1
11	0900346	Acrylic Panel Top	1
12	0507393	Nose Trip Top Panel	1

Item	Part No.	Description	Qty.
13	2180473	Guide Rail	6
14	4030432	Power Supply 24 VDC 1.0 A Level V	1
15	4060377	Cable Tie Mount with Adhesive	6
16	2100285	Rubber Head Screw Bumper	4
17	308P104	8-32 X .38 LG Truss Head S.S.	1
18	306P104	#6-32 X .25 LG Mach Screw S.S.	1
19	310P123	10-24 X .50 LG Truss Head S.S.	1
20	212P266	Spacer #10 Screw .125 LG	1
21	308P145	Nut, Hex Acorn #08-32 Low Crown	1
22	2100247	Knob	1
23	0900348	Shelf Acrylic	3

* Available in packages of 10 (ten)



Limited Warranty

This Display Case has a 90 day warranty from date of purchase. This warranty does not cover misuse/abuse, damage due to dropping, or damage resulting from improper maintenance. The warranty for this Display Case does not cover travel time or mileage. Contact the Technical Service Department at (630) 784-1000, (877) 392-7854 (toll free in the U.S.), or Tech.Service@antunes.com for any warranty issues.



Corporate Headquarters

Carol Stream, Illinois

Phone: +1 (630) 784-1000

Toll Free: +1 (800) 253-2991

Fax: +1 (630) 784-1650

China Facility

Suzhou, China

Phone: +86-512-6841-3637

Toll Free: +400-0-7878-22

Fax: +86-512-6841-3907