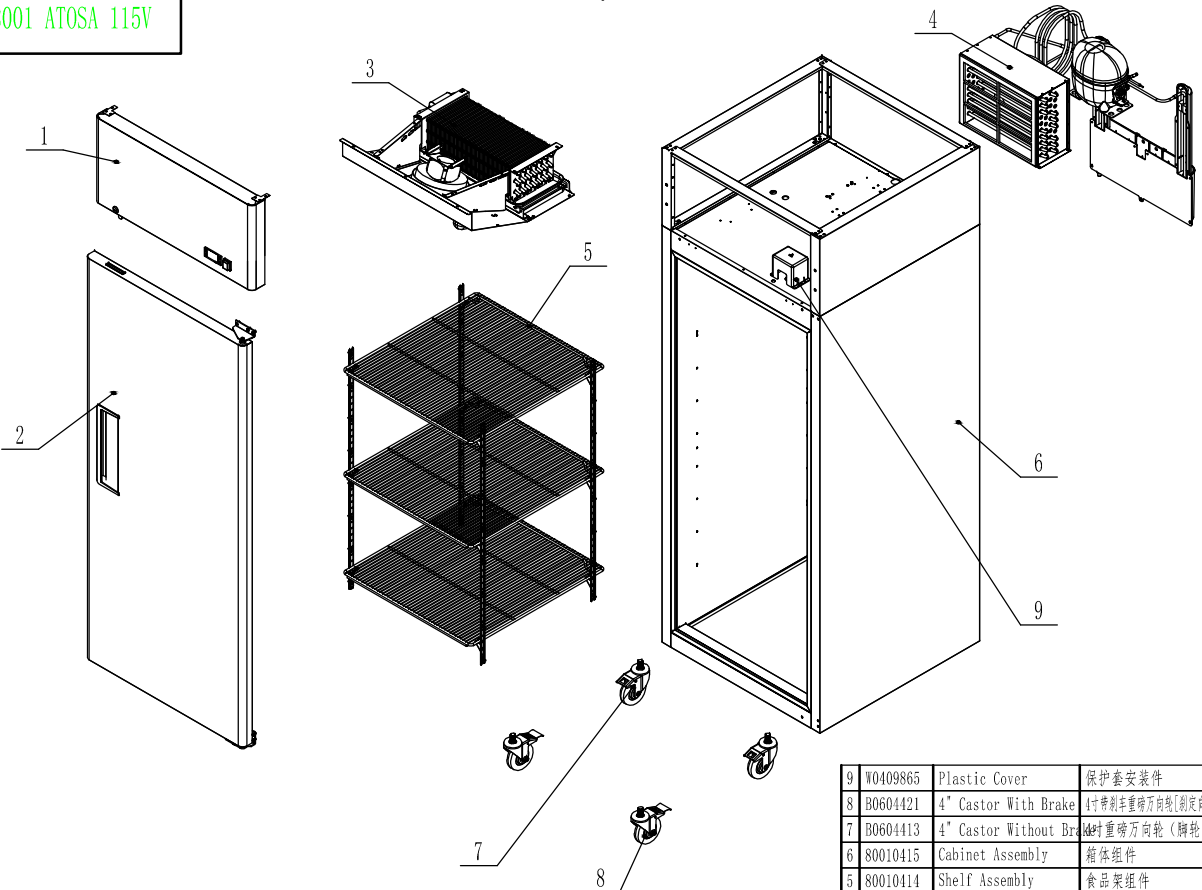
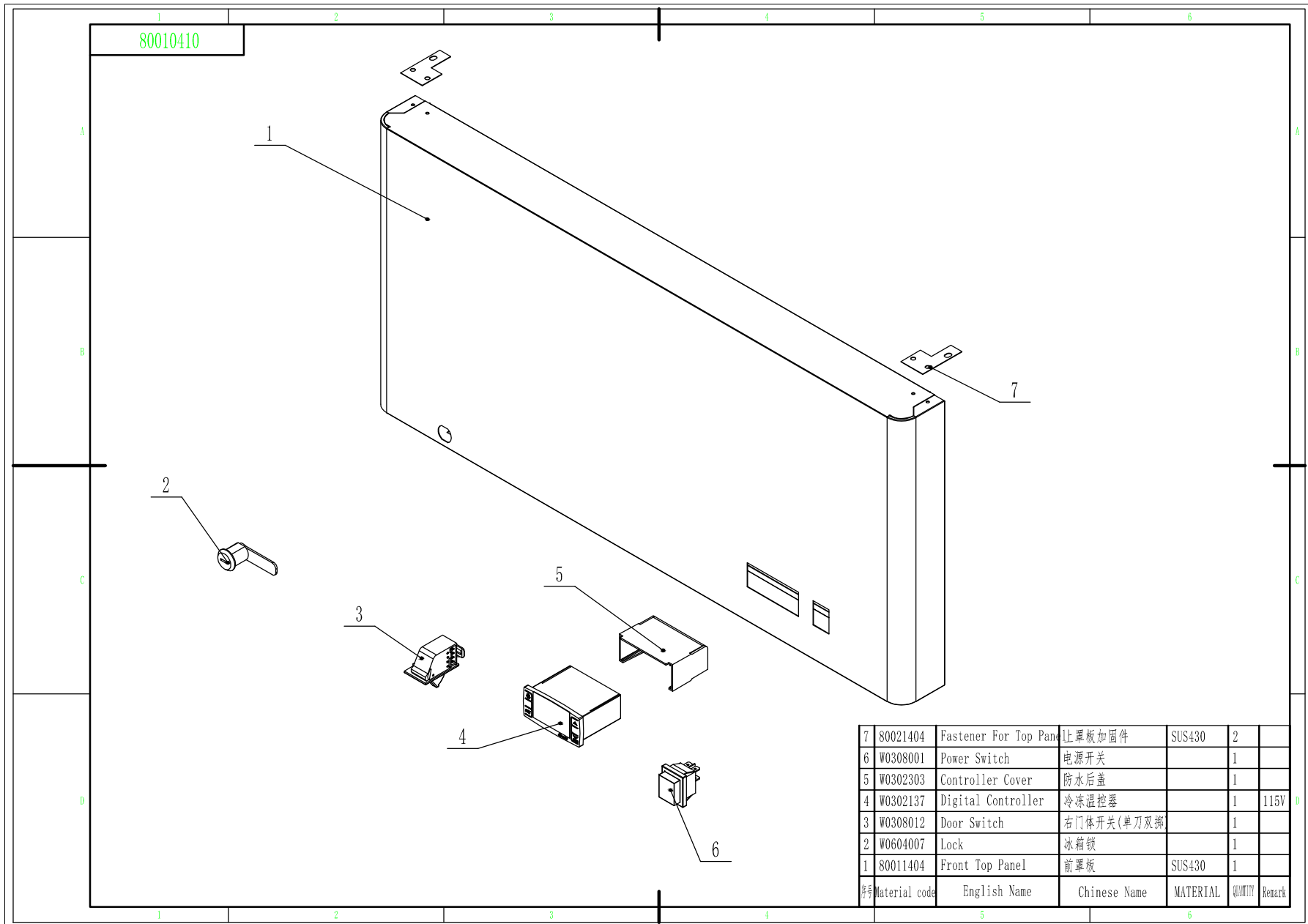


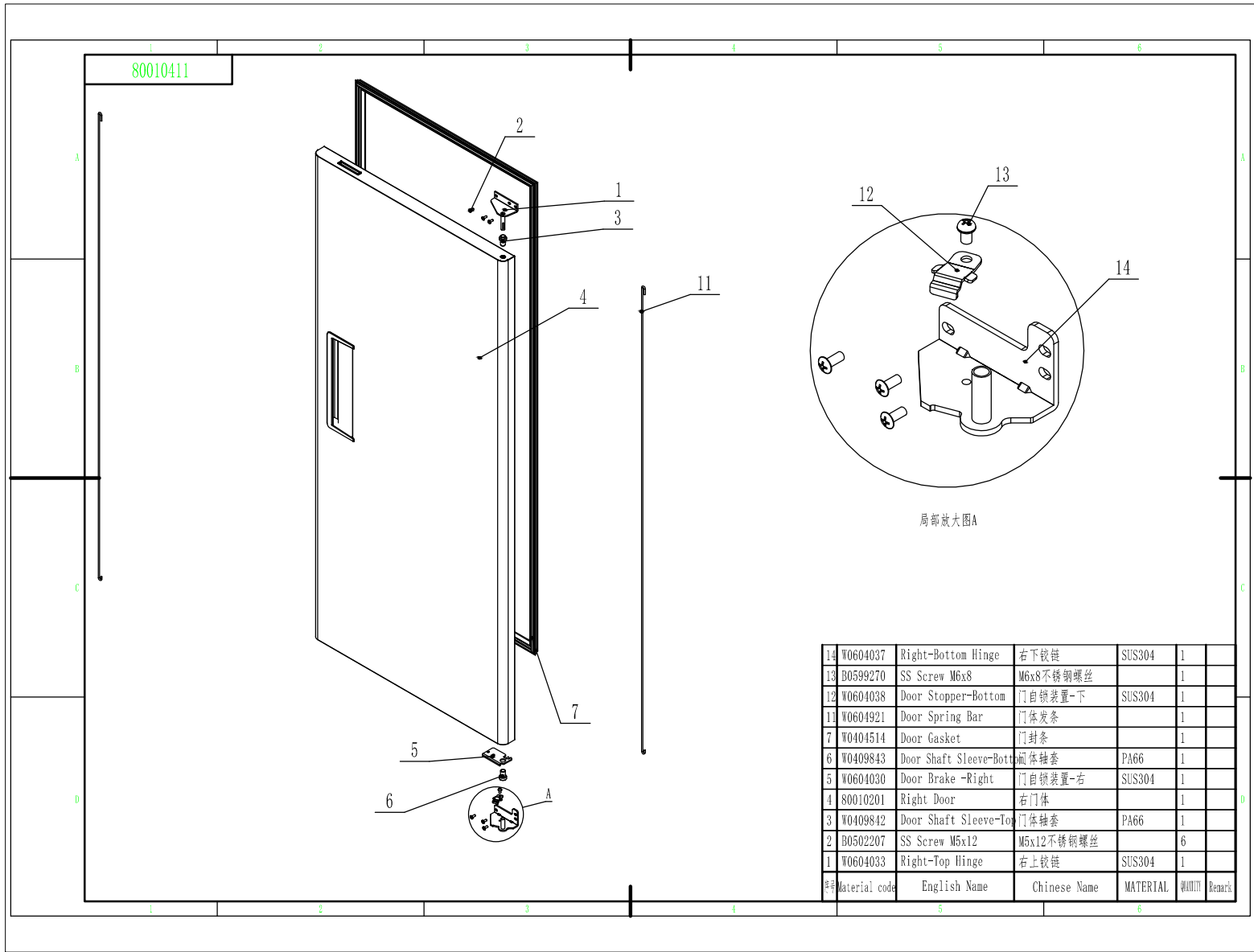
MBF8001 ATOSA 115V



9	W0409865	Plastic Cover	保护套安装件		1	
8	B0604421	4" Castor With Brake	4寸带刹车重磅万向轮(制定向)		2	
7	B0604413	4" Castor Without Brake	4寸重磅万向轮(脚轮)		2	
6	80010415	Cabinet Assembly	箱体组件		1	
5	80010414	Shelf Assembly	食品架组件		1	
4	80010413	Comp&Cond Assembly	冷凝机组		1	
3	80010412	Evaporator Assembly	蒸发器机组		1	
2	80010411	Sollid Door Assembly	门体组件		1	
1	80010410	Top Panel Assembly	前罩组件		1	
料号	Material code	English Name	Chinese Name	MATERIAL	数量	Remark

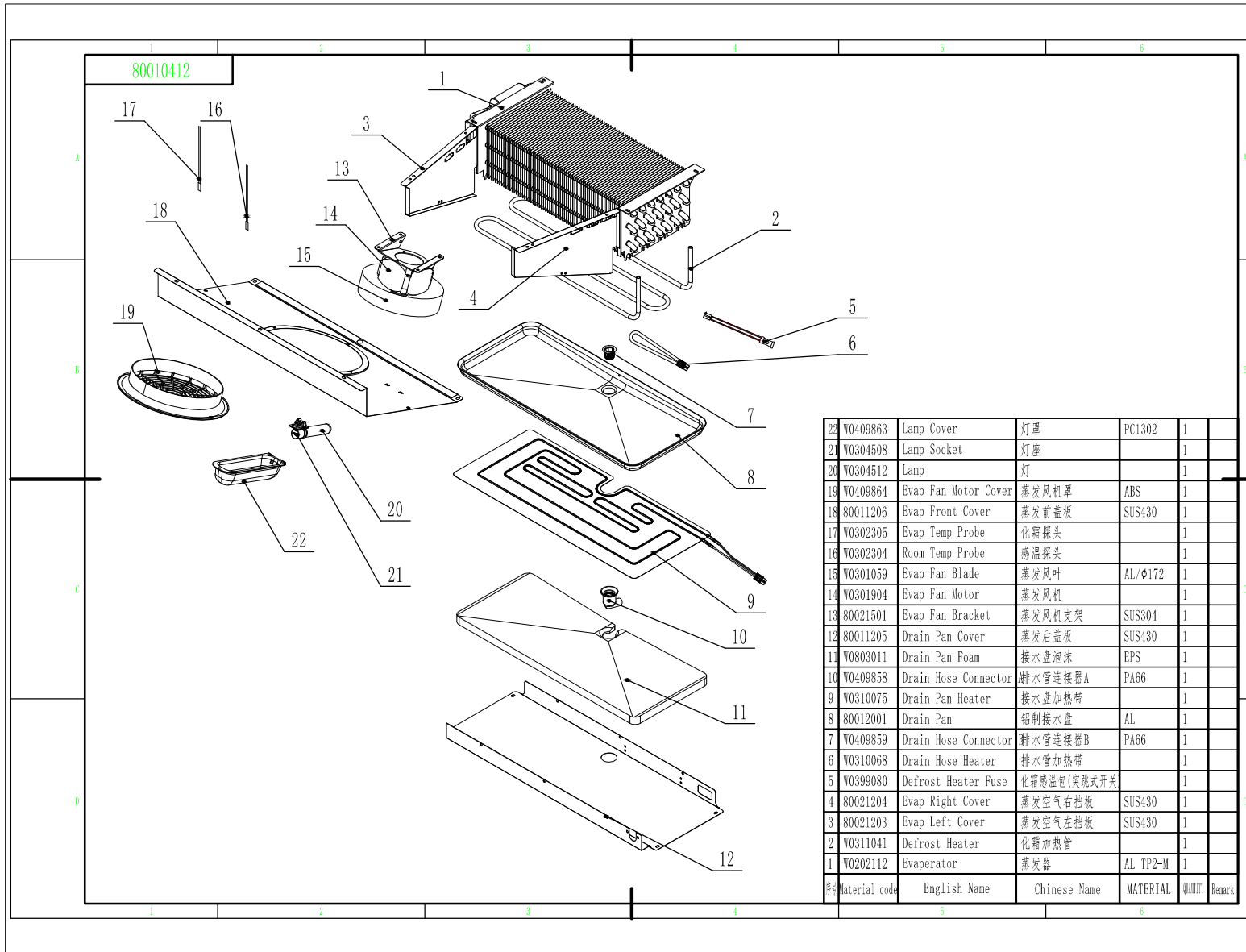


7	80021404	Fastener For Top Panel	让罩板加固件	SUS430	2	
6	W0308001	Power Switch	电源开关		1	
5	W0302303	Controller Cover	防水后盖		1	
4	W0302137	Digital Controller	冷冻温控器		1	115V
3	W0308012	Door Switch	右门体开关(单刀双掷)		1	
2	W0604007	Lock	冰箱锁		1	
1	80011404	Front Top Panel	前罩板	SUS430	1	
序号	Material code	English Name	Chinese Name	MATERIAL	QUANTITY	Remark



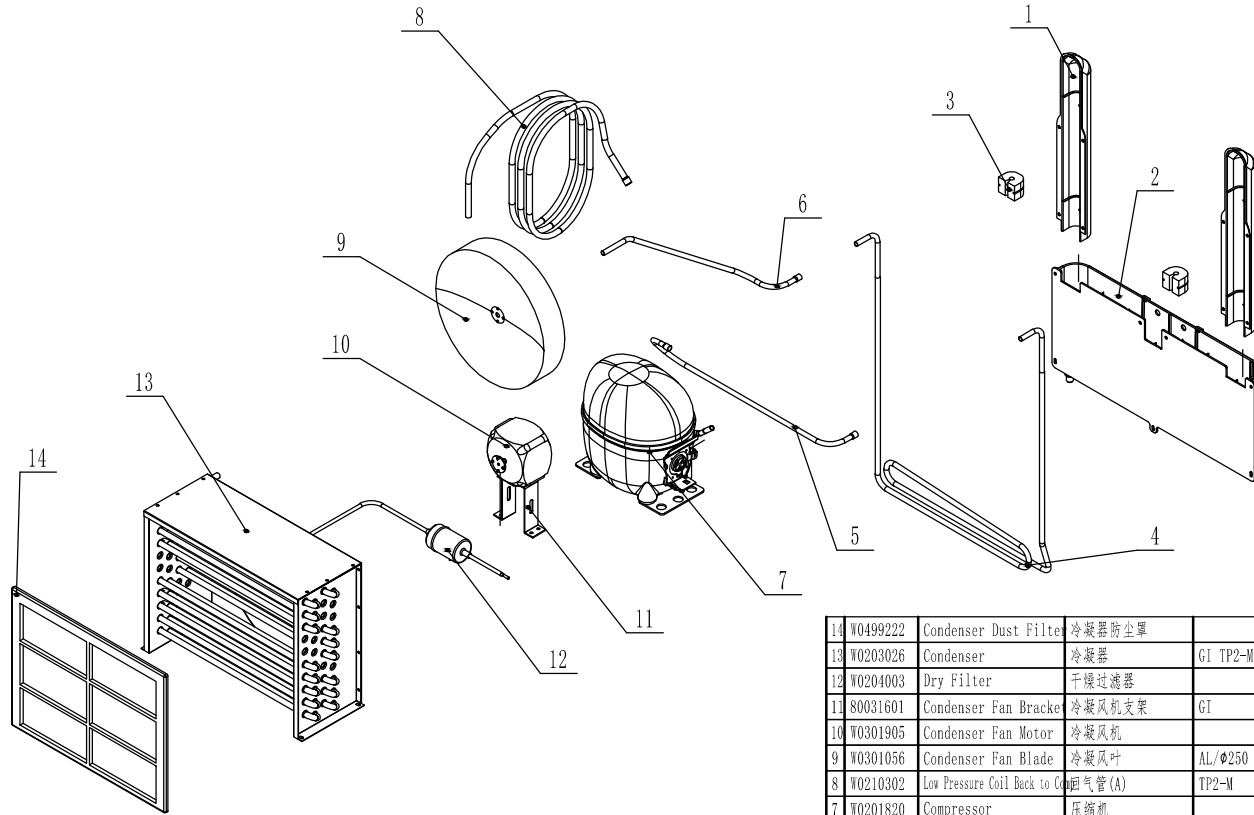
局部放大图A

14	W0604037	Right-Bottom Hinge	右下铰链	SUS304	1	
13	B0599270	SS Screw M6x8	M6x8不锈钢螺丝		1	
12	W0604038	Door Stopper-Bottom	门自锁装置-下	SUS304	1	
11	W0604921	Door Spring Bar	门体发条		1	
7	W0404514	Door Gasket	门封条		1	
6	W0409843	Door Shaft Sleeve-Bott	门体轴套	PA66	1	
5	W0604030	Door Brake -Right	门自锁装置-右	SUS304	1	
4	80010201	Right Door	右门体		1	
3	W0409842	Door Shaft Sleeve-Top	门体轴套	PA66	1	
2	B0502207	SS Screw M5x12	M5x12不锈钢螺丝		6	
1	W0604033	Right-Top Hinge	右上铰链	SUS304	1	
材料	Material code	English Name	Chinese Name	MATERIAL	数量	Remark



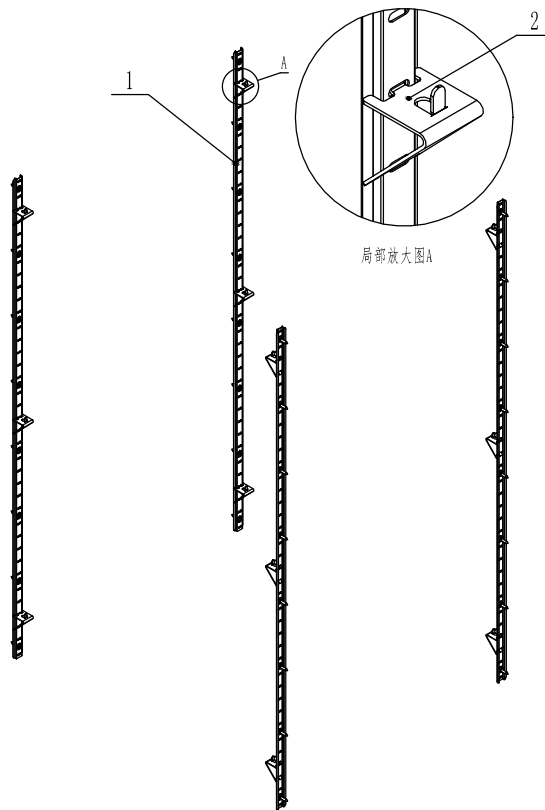
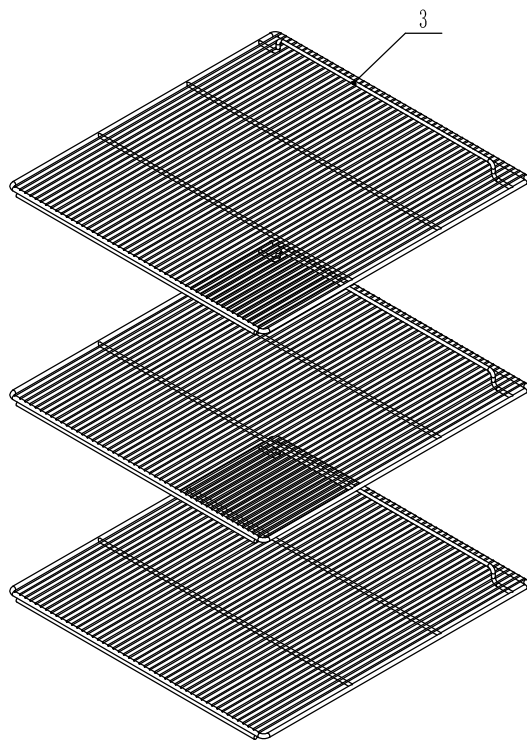
22	W0409863	Lamp Cover	灯罩	PC1302	1	
21	W0304508	Lamp Socket	灯座		1	
20	W0304512	Lamp	灯		1	
19	W0409864	Evap Fan Motor Cover	蒸发风机罩	ABS	1	
18	80011206	Evap Front Cover	蒸发前盖板	SUS430	1	
17	W0302305	Evap Temp Probe	化霜探头		1	
16	W0302304	Room Temp Probe	感温探头		1	
15	W0301059	Evap Fan Blade	蒸发风叶	AL/φ172	1	
14	W0301904	Evap Fan Motor	蒸发风机		1	
13	80021501	Evap Fan Bracket	蒸发风机支架	SUS304	1	
12	80011205	Drain Pan Cover	蒸发后盖板	SUS430	1	
11	W0803011	Drain Pan Foam	接水盘泡沫	EPS	1	
10	W0409858	Drain Hose Connector	排水管连接器A	PA66	1	
9	W0310075	Drain Pan Heater	接水盘加热带		1	
8	80012001	Drain Pan	铝制接水盘	AL	1	
7	W0409859	Drain Hose Connector	排水管连接器B	PA66	1	
6	W0310068	Drain Hose Heater	排水管加热带		1	
5	W0399080	Defrost Heater Fuse	化霜感温包(突跳式开关)		1	
4	80021204	Evap Right Cover	蒸发空气右挡板	SUS430	1	
3	80021203	Evap Left Cover	蒸发空气左挡板	SUS430	1	
2	W0311041	Defrost Heater	化霜加热管		1	
1	W0202112	Evaporator	蒸发器	AL TP2-M	1	
料号	Material code	English Name	Chinese Name	MATERIAL	数量	Remark

80010413

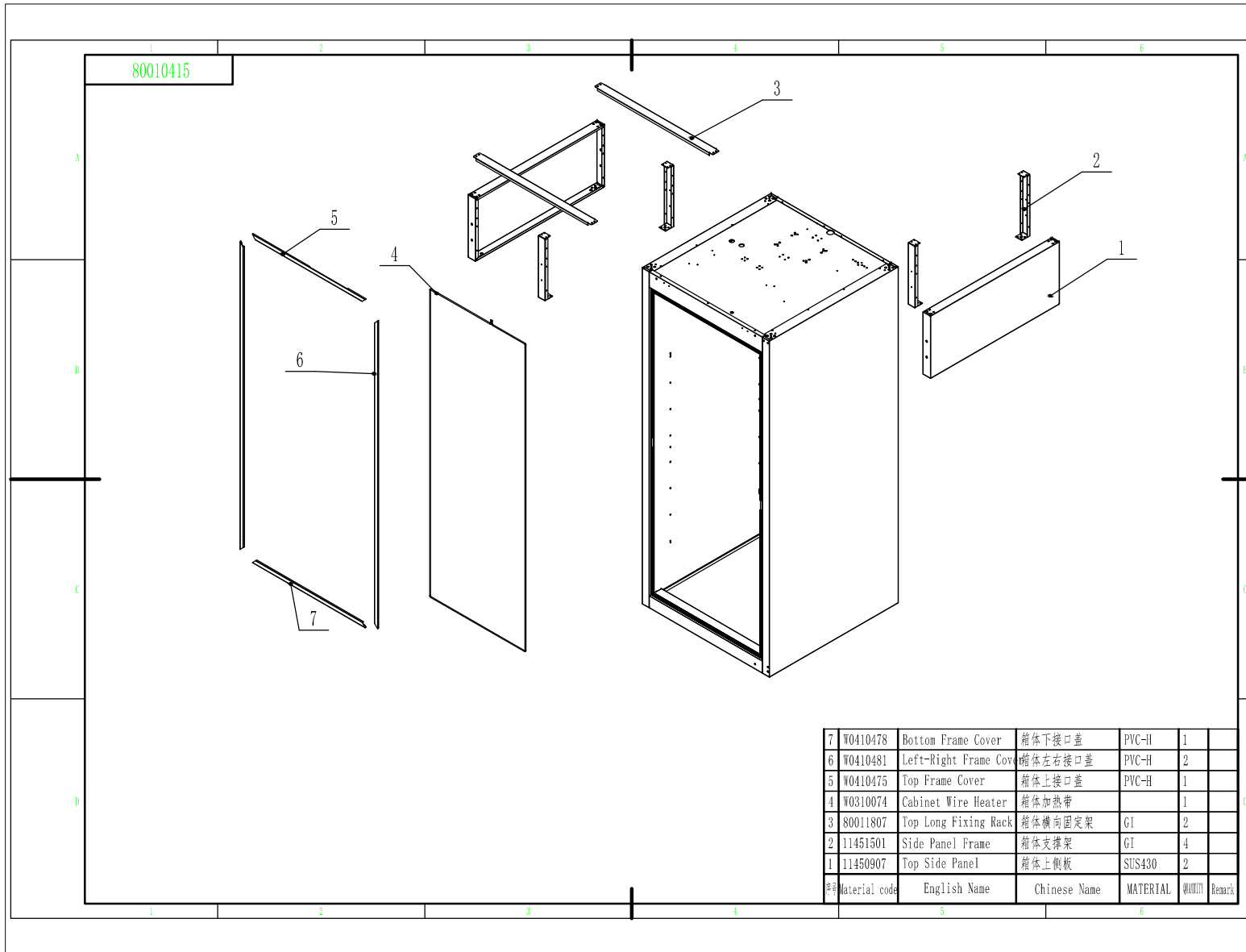


14	W0499222	Condenser Dust Filter	冷凝器防尘罩		1	
13	W0203026	Condenser	冷凝器	GI TP2-M	1	
12	W0204003	Dry Filter	干燥过滤器		1	
11	80031601	Condenser Fan Bracket	冷凝风机支架	GI	1	
10	W0301905	Condenser Fan Motor	冷凝风机		1	
9	W0301056	Condenser Fan Blade	冷凝风叶	AL/Φ250	1	
8	W0210302	Low Pressure Coil Back to Compressor	回气管(A)	TP2-M	1	
7	W0201820	Compressor	压缩机		1	
6	W0210319	Connecting Coil to Condenser	连接管(散热管-冷凝器)	TP2-M	1	
5	W0210320	Connecting Coil From Compressor	连接管(压缩机与散热管)	TP2-M	1	
4	W0210060	High Pressure Coil	散热管	TP2-M	1	
3	W0413052	Rubber Fixing Block	散热管固定垫	RUBBER(橡胶)	2	
2	W0409849	Back High Pressure Coil	氟管蒸发包	PP	1	
1	W0409851	Back High Pressure Coil Cover	氟管蒸发护套	PP	2	
材料	Material code	English Name	Chinese Name	MATERIAL	数量	Remark

80010414



3	W0402191	Shelf	食品架		3	
2	00542013	Shelf Clip	食品架搁脚	SUS430	12	
1	80037410	Pilaster For Shelf	食品架隔条	SUS430	4	
料号	Material code	English Name	Chinese Name	MATERIAL	数量	Remark



7	W0410478	Bottom Frame Cover	箱体下接口盖	PVC-H	1	
6	W0410481	Left-Right Frame Cover	箱体左右接口盖	PVC-H	2	
5	W0410475	Top Frame Cover	箱体上接口盖	PVC-H	1	
4	W0310074	Cabinet Wire Heater	箱体加热带		1	
3	80011807	Top Long Fixing Rack	箱体纵向固定架	GI	2	
2	11451501	Side Panel Frame	箱体支撑架	GI	4	
1	11450907	Top Side Panel	箱体上侧板	SUS430	2	
	Material code	English Name	Chinese Name	MATERIAL	数量	Remark