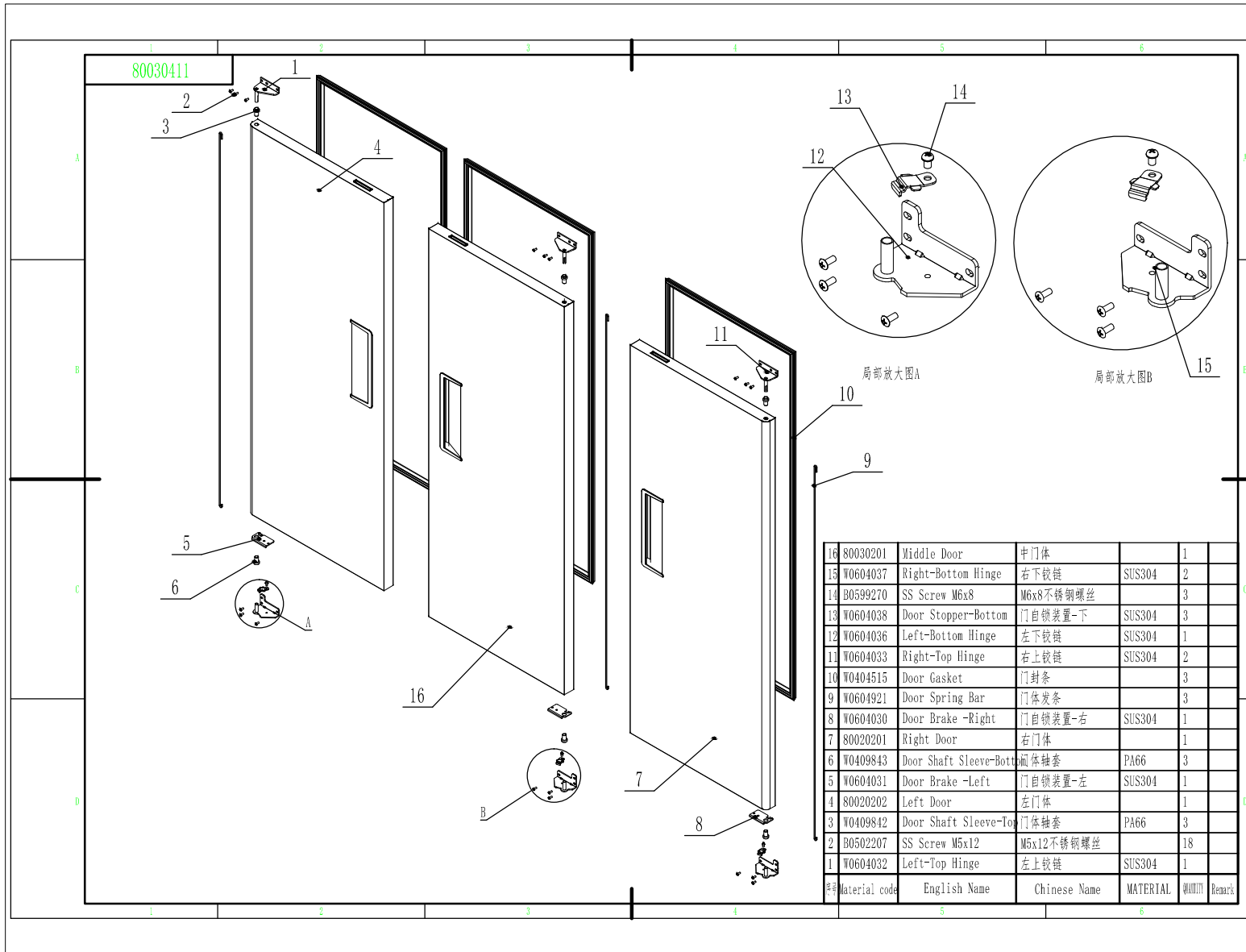
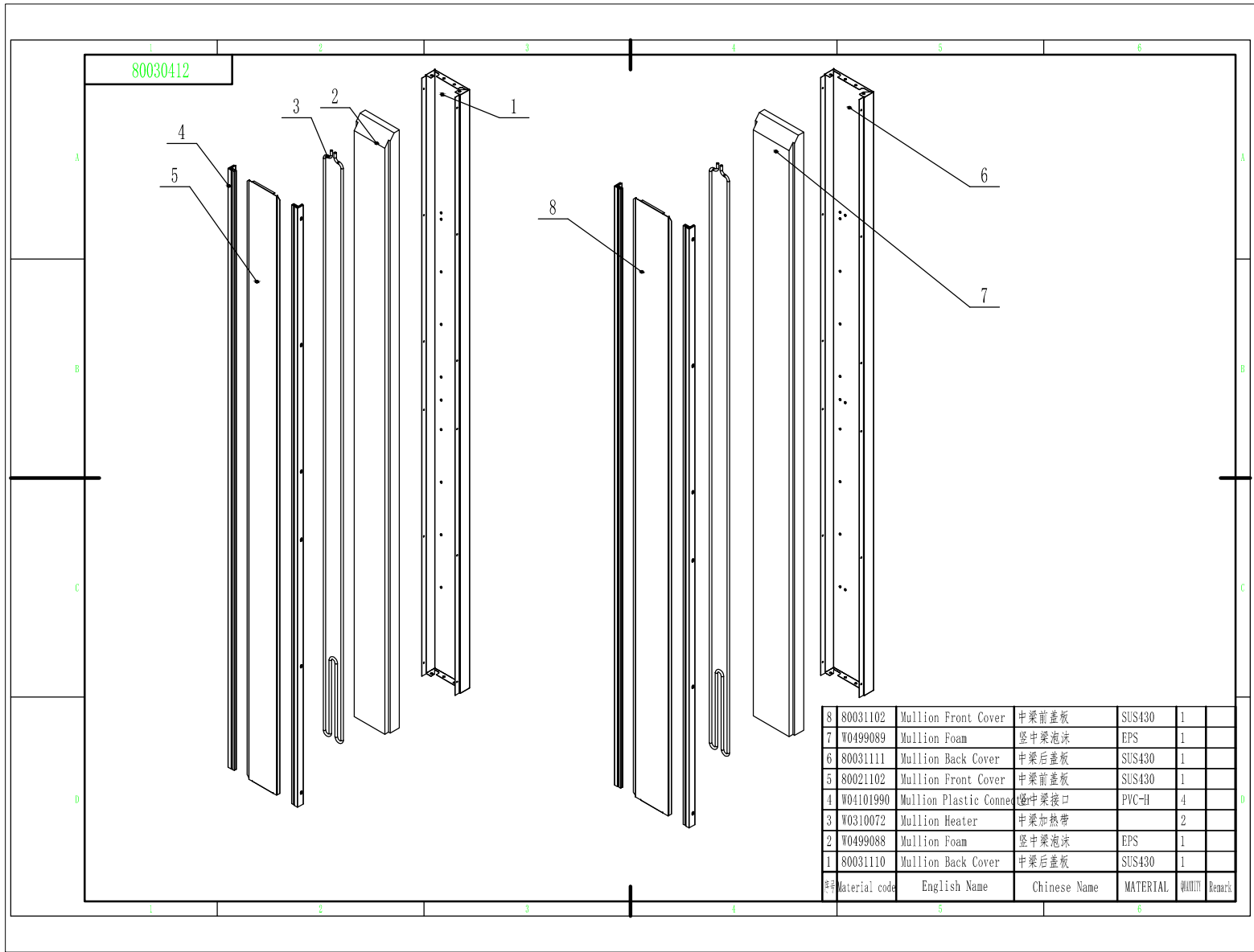


MBF8003 ATOSA 208 230V/115V

10	W0409865	Plastic Cover	保护套安装件		2								
9	B0604421	4" Castor With Brake	4寸带刹车重磅万向轮(制定向)		3								
8	B0604413	4" Castor Without Brake	4寸重磅万向轮(脚轮)		2								
7	80030416	Cabinet Assembly	箱体组件		1								
6	80030415	Shelf Assembly	食品架组件		1								
5	80030414	Comp&Cond Assembly	冷凝机组									1	
4	80030413	Evaporator Assembly	蒸发机组									1	
3	80030412	Mullion Assembly	中梁组件									1	
2	80030411	Door Assembly	门体组件									1	
1	80030410	Top Panel Assembly	前罩组件									1	
	Material code	English Name	Chinese Name	MATERIAL	数量	单位	重量	体积	备注				Remark



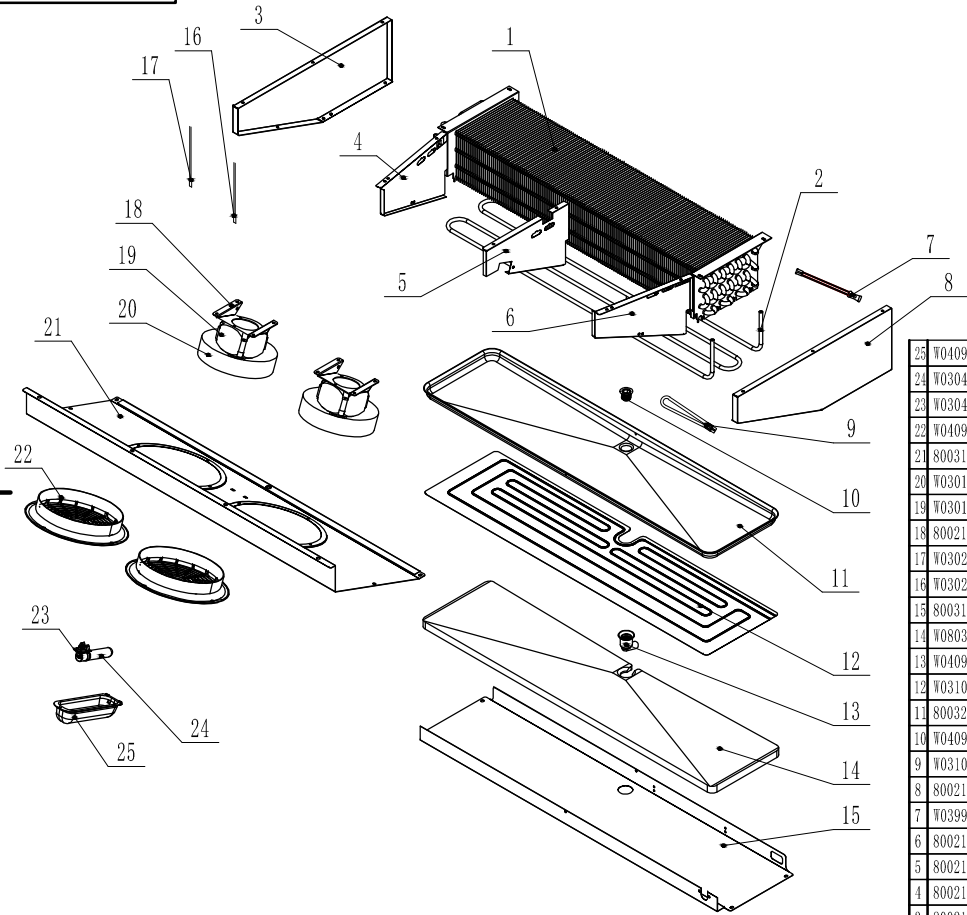
16	80030201	Middle Door	中门体		1	
15	W0604037	Right-Bottom Hinge	右下铰链	SUS304	2	
14	B0599270	SS Screw M6x8	M6x8不锈钢螺丝		3	
13	W0604038	Door Stopper-Bottom	门自锁装置-下	SUS304	3	
12	W0604036	Left-Bottom Hinge	左下铰链	SUS304	1	
11	W0604033	Right-Top Hinge	右上铰链	SUS304	2	
10	W0404515	Door Gasket	门封条		3	
9	W0604921	Door Spring Bar	门体发条		3	
8	W0604030	Door Brake -Right	门自锁装置-右	SUS304	1	
7	80020201	Right Door	右门体		1	
6	W0409843	Door Shaft Sleeve-Bott	门体轴套	PA66	3	
5	W0604031	Door Brake -Left	门自锁装置-左	SUS304	1	
4	80020202	Left Door	左门体		1	
3	W0409842	Door Shaft Sleeve-Top	门体轴套	PA66	3	
2	B0502207	SS Screw M5x12	M5x12不锈钢螺丝		18	
1	W0604032	Left-Top Hinge	左上铰链	SUS304	1	
材料号	Material code	English Name	Chinese Name	MATERIAL	数量	Remark



80030412

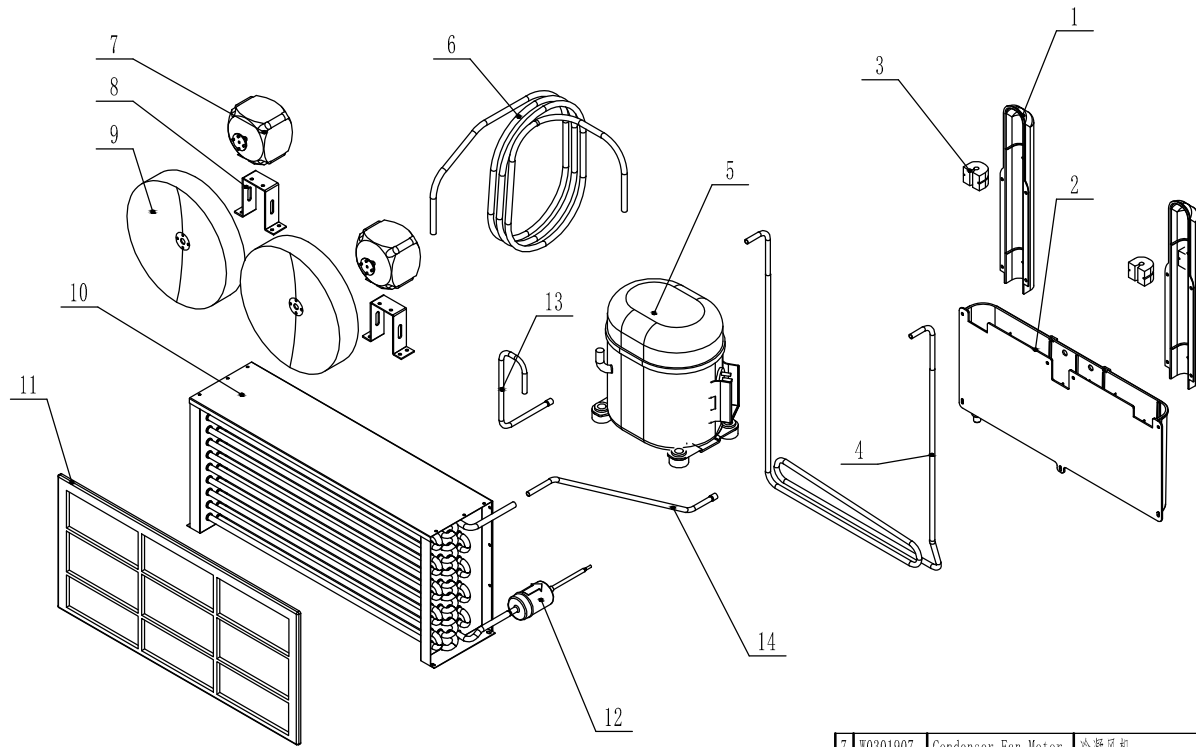
8	80031102	Mullion Front Cover	中梁前盖板	SUS430	1	
7	W0499089	Mullion Foam	竖中梁泡沫	EPS	1	
6	80031111	Mullion Back Cover	中梁后盖板	SUS430	1	
5	80021102	Mullion Front Cover	中梁前盖板	SUS430	1	
4	W04101990	Mullion Plastic Connector	竖中梁接口	PVC-H	4	
3	W0310072	Mullion Heater	中梁加热带		2	
2	W0499088	Mullion Foam	竖中梁泡沫	EPS	1	
1	80031110	Mullion Back Cover	中梁后盖板	SUS430	1	
材料	Material code	English Name	Chinese Name	MATERIAL	数量	Remark

80030413



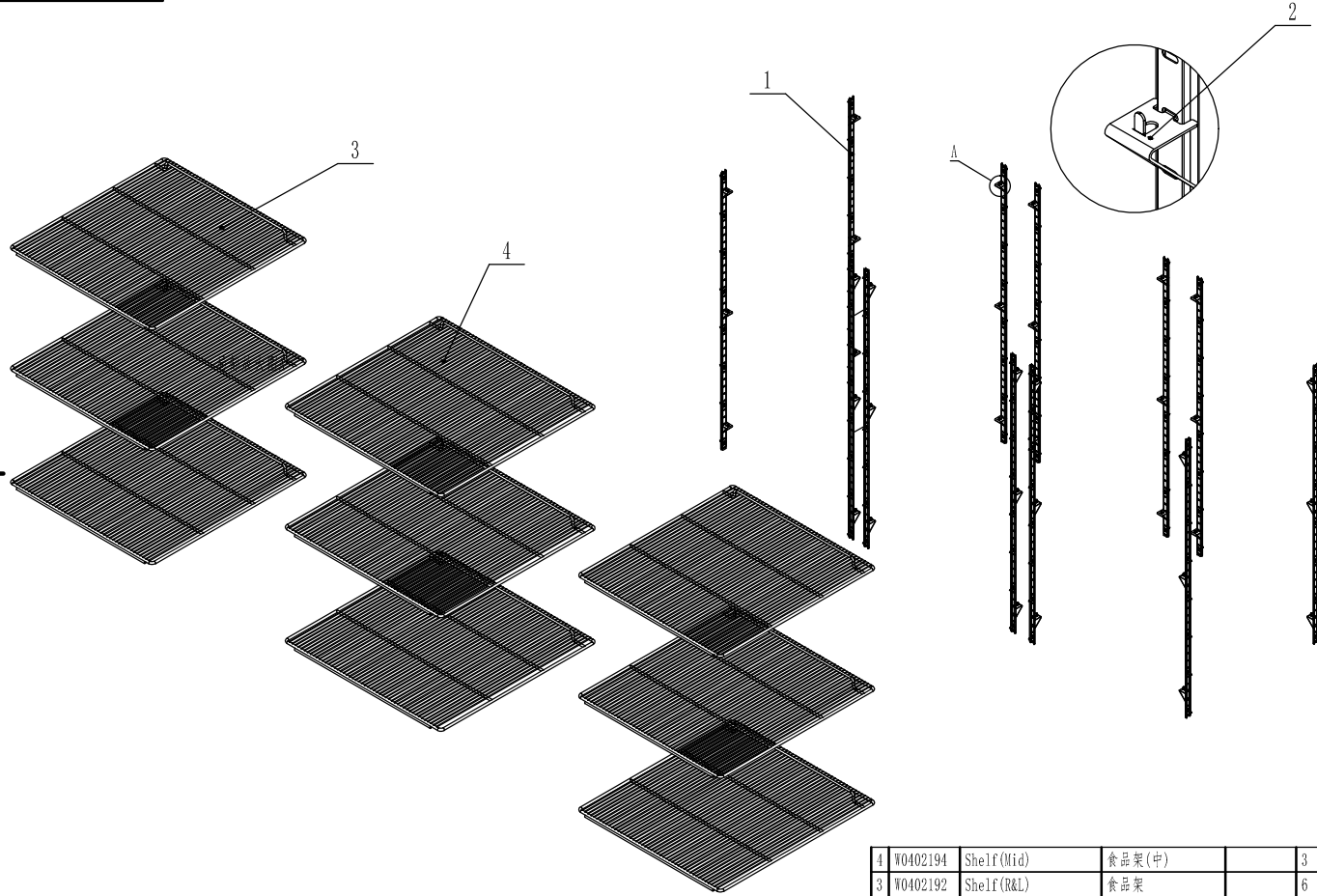
25	W0409863	Lamp Cover	灯罩	PC1302	1	
24	W0304512	Lamp	灯		1	
23	W0304508	Lamp Socket	灯座		1	
22	W0409864	Evap Fan Motor Cover	蒸发风机罩	ABS	2	
21	80031202	Evap Front Cover	蒸发前盖板	SUS430	1	
20	W0301059	Evap Fan Blade	蒸发风叶	AL/φ172	2	
19	W0301904	Evap Fan Motor	蒸发风机		2	
18	80021501	Evap Fan Bracket	蒸发风机支架	SUS304	2	
17	W0302305	Evap Temp Probe	化霜探头		1	
16	W0302304	Room Temp Probe	感温探头		1	
15	80031201	Drain Pan Cover	蒸发后盖板	SUS430	1	
14	W0803013	Drain Pan Foam	接水盘泡沫	EPS	1	
13	W0409858	Drain Hose Connector	排水管连接器A	PA66	1	
12	W0310077	Drain Pan Heater	接水盘加热带		1	
11	80032001	Drain Pan	铝制接水盘	AL	1	
10	W0409859	Drain Hose Connector	排水管连接器B	PA66	1	
9	W0310068	Drain Hose Heater	排水管加热带		1	
8	80021206	Evap Right Cover	蒸发右挡板	SUS430	1	
7	W0399080	Defrost Heater Fuse	化霜感温包(突跳式开关)		1	
6	80021204	Right Air Lane Cover	蒸发空气右挡板	SUS430	1	
5	80021205	Middle Air Lane Cover	蒸发空气中挡板	SUS430	1	
4	80021203	Left Air Lane Cover	蒸发空气左挡板	SUS430	1	
3	80021206	Evap Left Cover	蒸发左挡板	SUS430	1	
2	W0311043	Defrost Heater	化霜加热管		1	
1	W0202116	Evaporator	蒸发器	AL TP2-M	1	
料号	Material code	English Name	Chinese Name	MATERIAL	数量	Remark

80030414

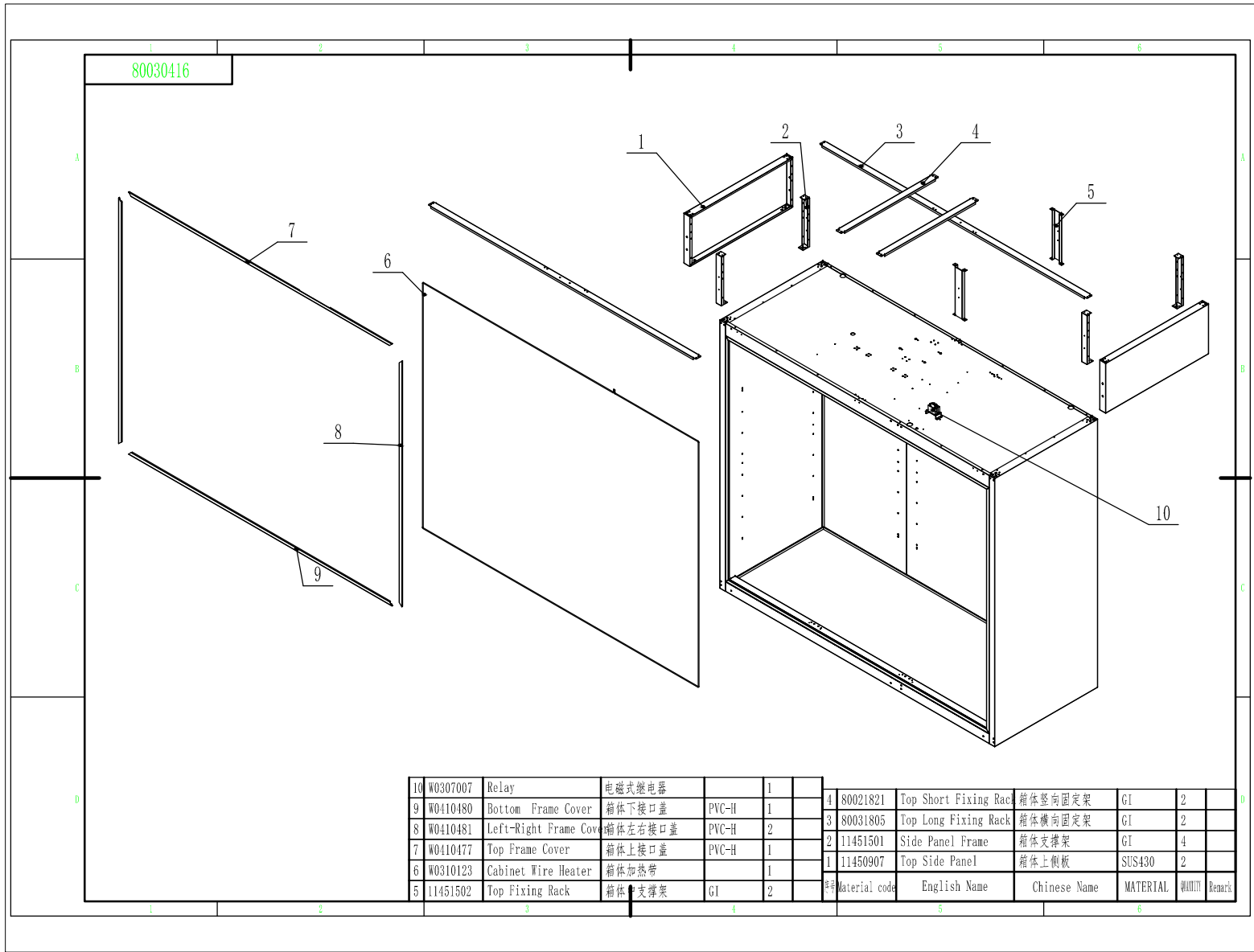


7	W0301907	Condenser Fan Motor	冷凝风机			2	
6	W0210042	Low Pressure Coil Back to Co	回气管(A)	TP2-M		1	
5	W0201829	Compressor	压缩机			1	
4	W0210060	High Pressure Coil	散热管	TP2-M		1	
3	W0413052	Rubber Fixing Block	散热管固定垫	RUBBER(橡胶)		2	
2	W0409849	Back High Pressure Coil	高压管发色	PP		1	
1	W0409851	Back High Pressure Coil Co	高压管护套	PP		2	
	Material code	English Name	Chinese Name	MATERIAL	数量	Remark	
14	W0210083	Connecting Coil to Condens	连接管(散热管-冷凝器)	TP2-M		1	
13	W0210109	Connecting Coil From Compress	连接管(压缩机与散热管)	TP2-M		1	
12	W0204003	Dry Filter	干燥过滤器			1	
11	W0499223	Condenser Dust Filter	冷凝器防尘罩			1	
10	W0203030	Condenser	冷凝器	G1 TP2-M		1	
9	W0301061	Condenser Fan Blade	冷凝风叶	AL/Φ230		2	
8	80031601	Condenser Fan Bracket	冷凝风机支架	G1		2	

80030415



4	W0402194	Shelf(Mid)	食品架(中)		3	
3	W0402192	Shelf(R&L)	食品架		6	
2	00542013	Shelf Clip	食品架搁脚	SUS430	36	
1	80037410	Pilastor For Shelf	食品架隔条	SUS430	12	
料号	Material code	English Name	Chinese Name	MATERIAL	数量	Remark



80030416

10	W0307007	Relay	电磁式继电器		1								
9	W0410480	Bottom Frame Cover	箱体下接口盖	PVC-H	1		4	80021821	Top Short Fixing Rack	箱体竖向固定架	GI	2	
8	W0410481	Left-Right Frame Cover	箱体左右接口盖	PVC-H	2		3	80031805	Top Long Fixing Rack	箱体横向固定架	GI	2	
7	W0410477	Top Frame Cover	箱体上接口盖	PVC-H	1		2	11451501	Side Panel Frame	箱体支撑架	GI	4	
6	W0310123	Cabinet Wire Heater	箱体加热带		1		1	11450907	Top Side Panel	箱体上侧板	SUS430	2	
5	11451502	Top Fixing Rack	箱体支撑架	GI	2		Material code	English Name	Chinese Name	MATERIAL	数量	Remark	