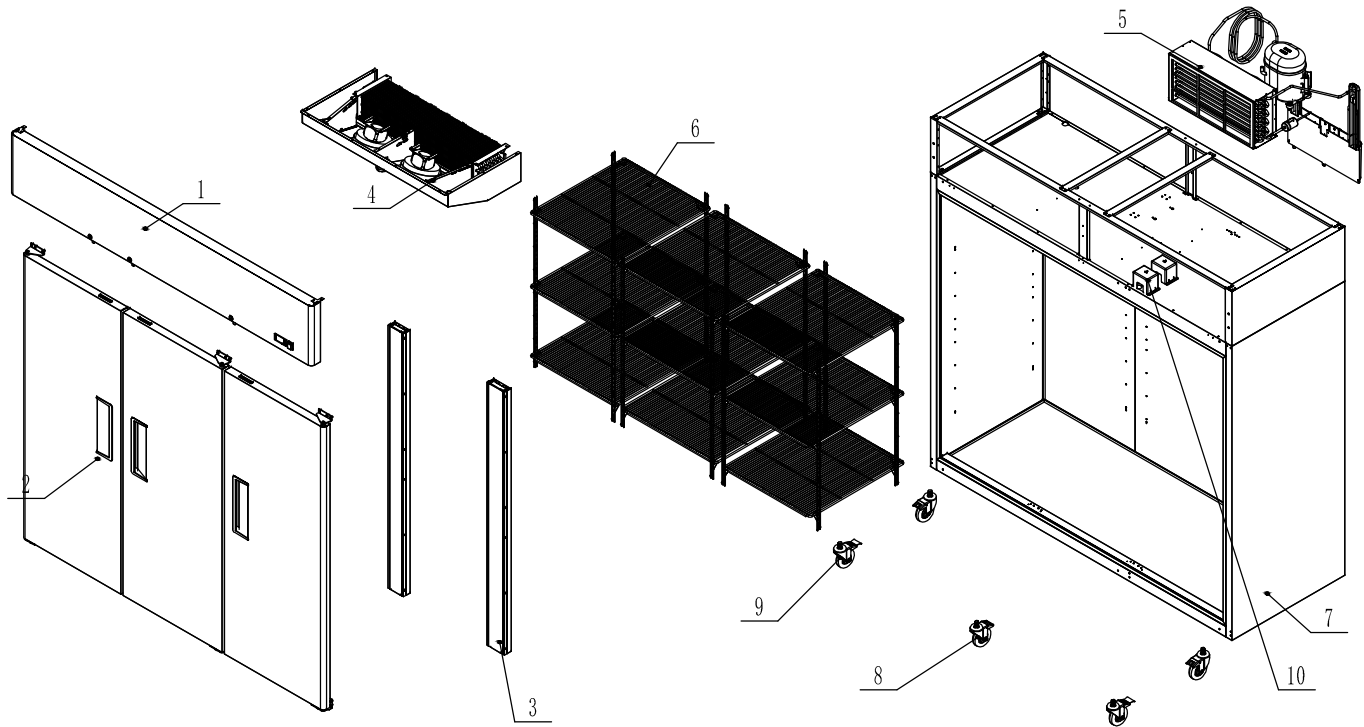
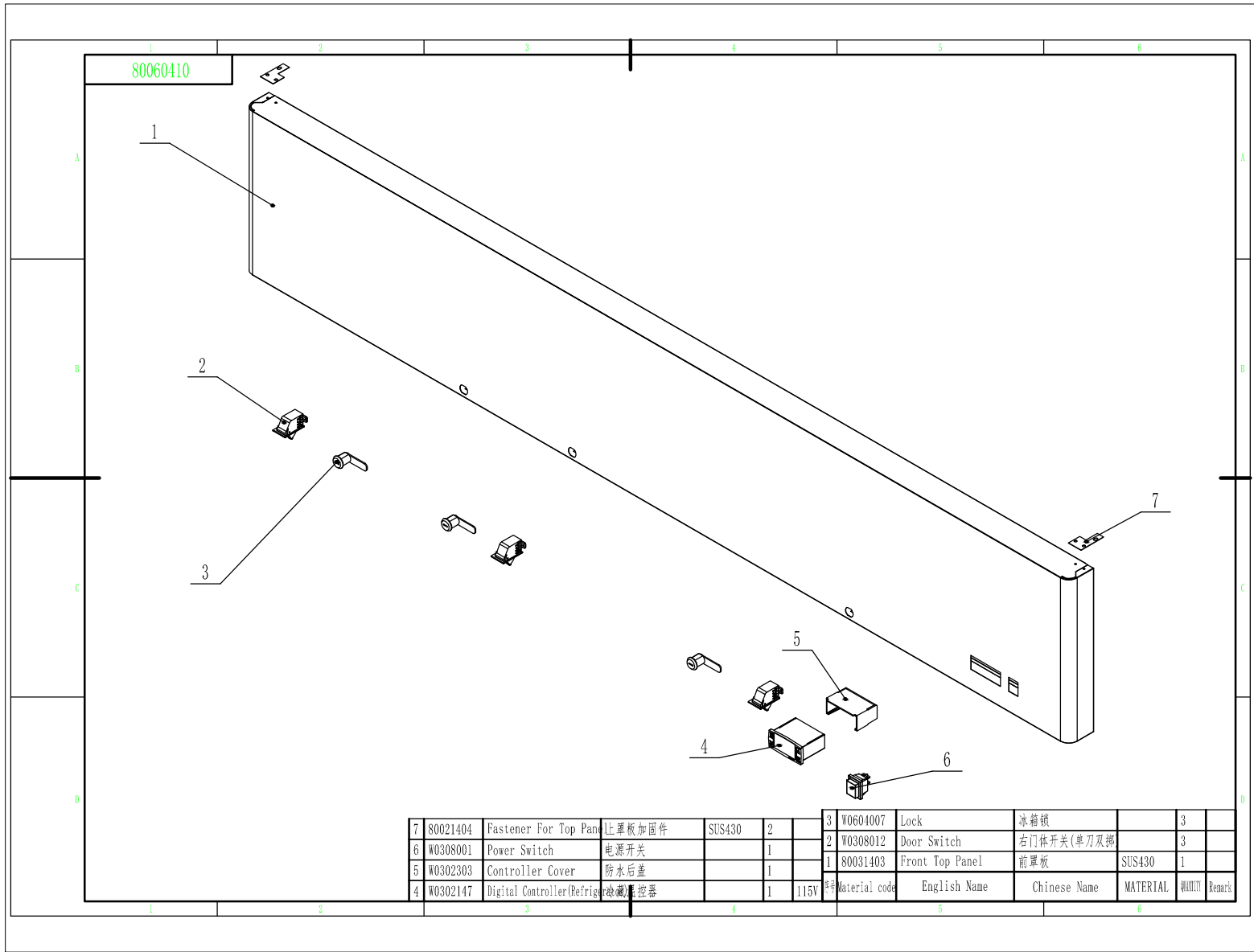


MBF8006 ATOSA 115V

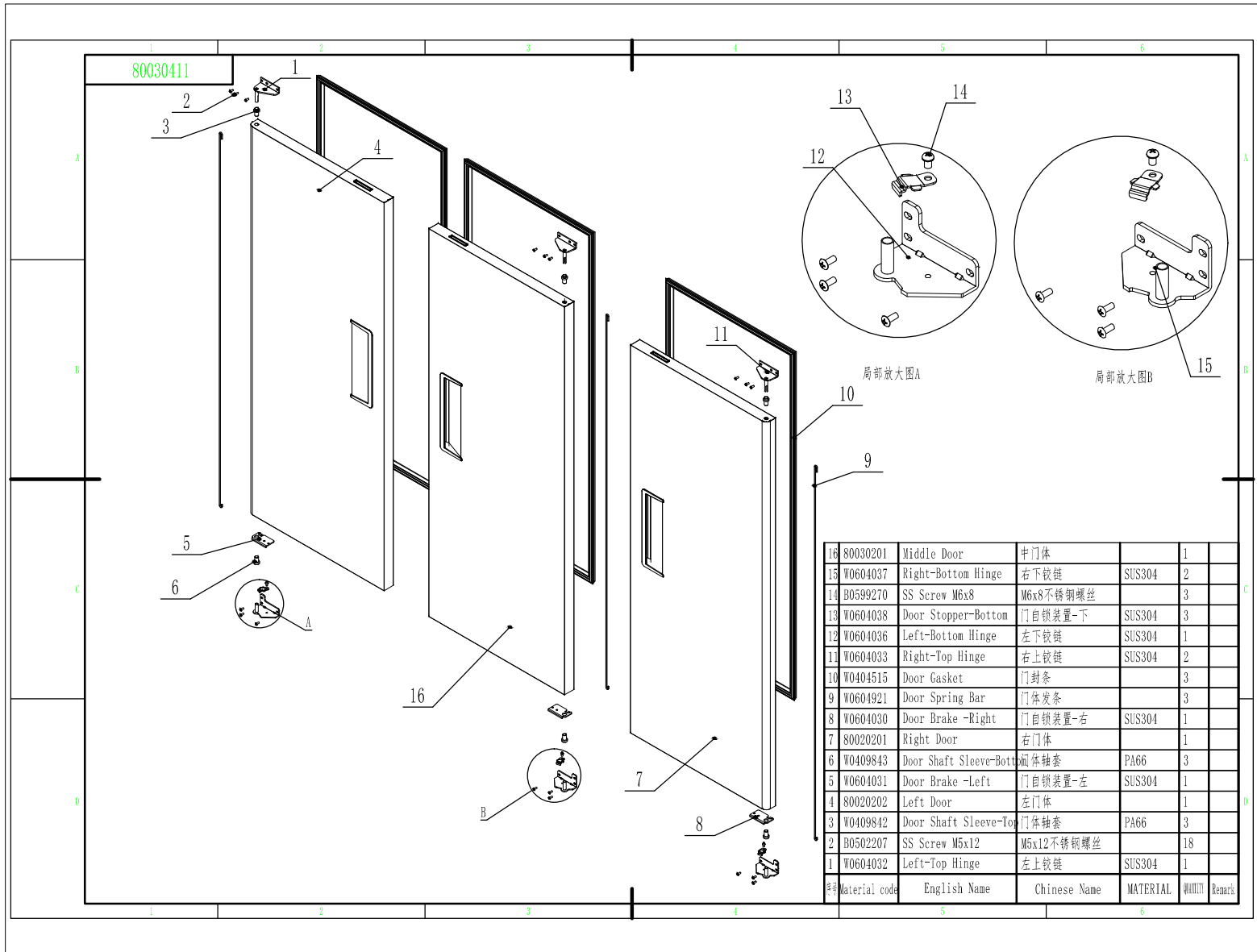


5	80060413	Comp&Cond Assembly	冷凝机组			1	
4	80060412	Evaporator Assembly	蒸发机组			1	
3	80060411	Mullion Assembly	中梁组件			1	
2	80030411	Door Assembly	门体组件			1	
1	80060410	Top Panel Assembly	前罩组件			1	
Material code		English Name	Chinese Name	MATERIAL	数量	Remark	
10	W0409865	Plastic Cover	保护套安装件		2		
9	B0604421	4" Castor With Brake	4寸带刹车重磅万向轮(制定向)		3		
8	B0604413	4" Castor Without Brake	4寸重磅万向轮(脚轮)		2		
7	80060414	Cabinet Assembly	箱体组件		1		
6	80030415	Shelf Assembly	食品架组件		1		

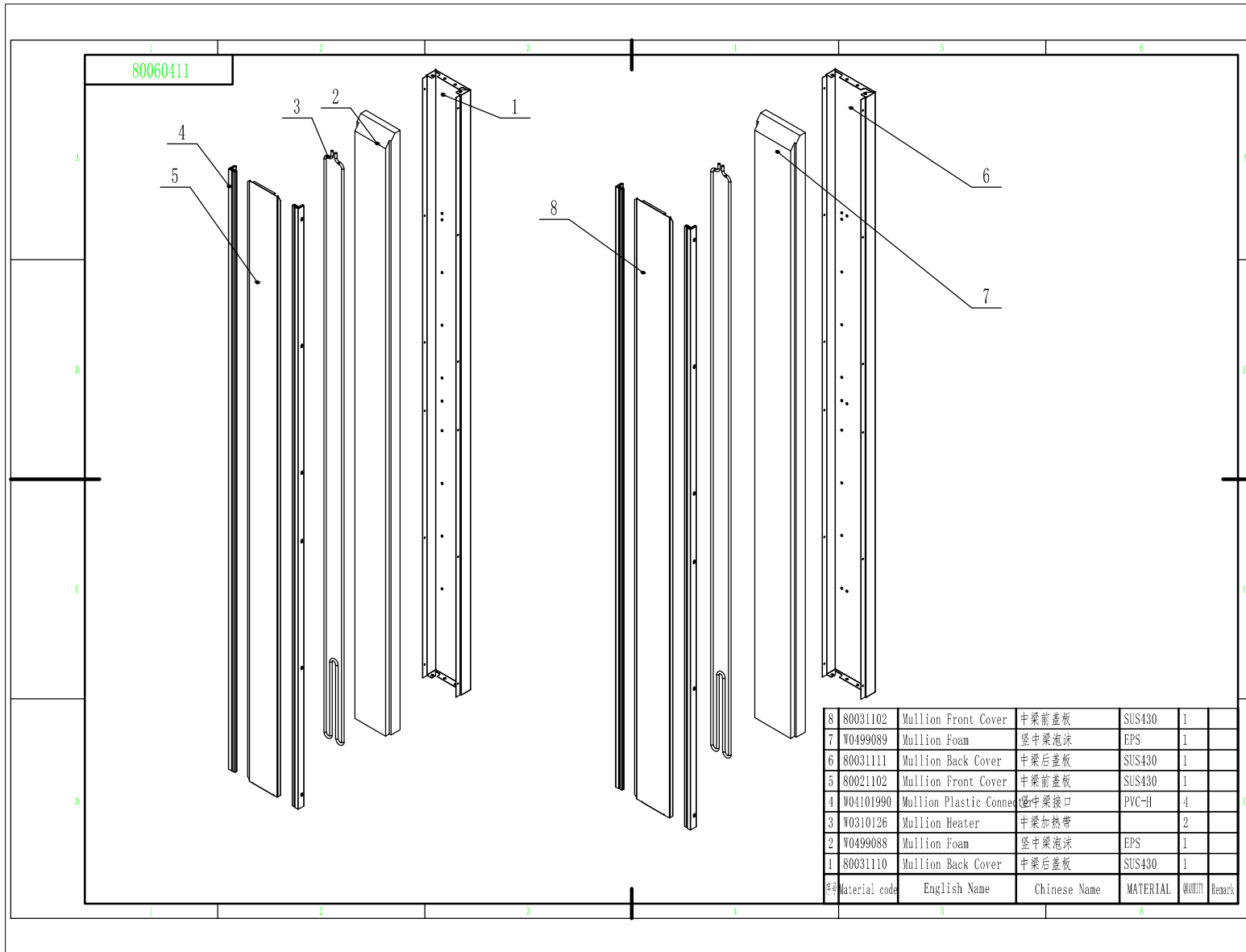


80060410

7	80021404	Fastener For Top Panel	上罩板加固件	SUS430	2									
6	W0308001	Power Switch	电源开关		1									
5	W0302303	Controller Cover	防水后盖		1									
4	W0302147	Digital Controller (Refrigerator)	冷藏控制器		1	115V	零件							
3	W0604007	Lock	冰箱锁		3									
2	W0308012	Door Switch	右门体开关(单刀双掷)		3									
1	80031403	Front Top Panel	前罩板	SUS430	1									
		Material code	English Name	Chinese Name	MATERIAL	数量	单位	电压	零件					Remark

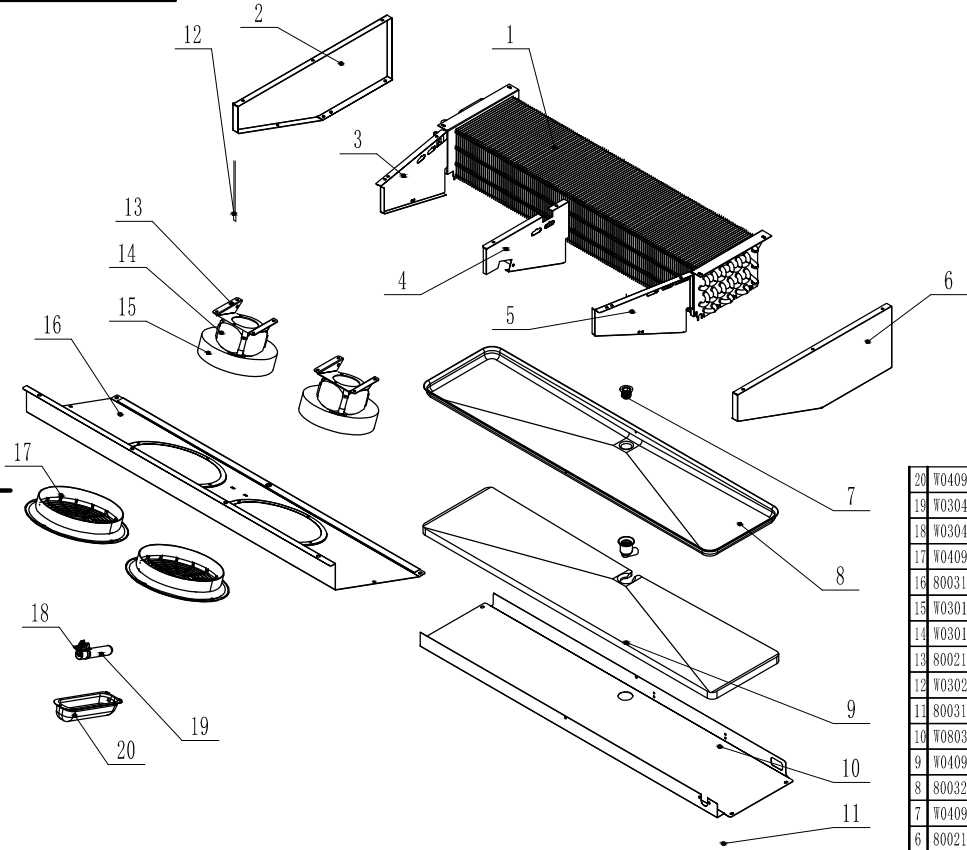


16	80030201	Middle Door	中门体		1	
15	W0604037	Right-Bottom Hinge	右下铰链	SUS304	2	
14	B0599270	SS Screw M6x8	M6x8不锈钢螺丝		3	
13	W0604038	Door Stopper-Bottom	门自锁装置-下	SUS304	3	
12	W0604036	Left-Bottom Hinge	左下铰链	SUS304	1	
11	W0604033	Right-Top Hinge	右上铰链	SUS304	2	
10	W0404515	Door Gasket	门封条		3	
9	W0604921	Door Spring Bar	门体发条		3	
8	W0604030	Door Brake-Right	门自锁装置-右	SUS304	1	
7	80020201	Right Door	右门体		1	
6	W0409843	Door Shaft Sleeve-Bott	门体轴套	PA66	3	
5	W0604031	Door Brake-Left	门自锁装置-左	SUS304	1	
4	80020202	Left Door	左门体		1	
3	W0409842	Door Shaft Sleeve-Top	门体轴套	PA66	3	
2	B0502207	SS Screw M5x12	M5x12不锈钢螺丝		18	
1	W0604032	Left-Top Hinge	左上铰链	SUS304	1	
材料	Material code	English Name	Chinese Name	MATERIAL	数量	Remark



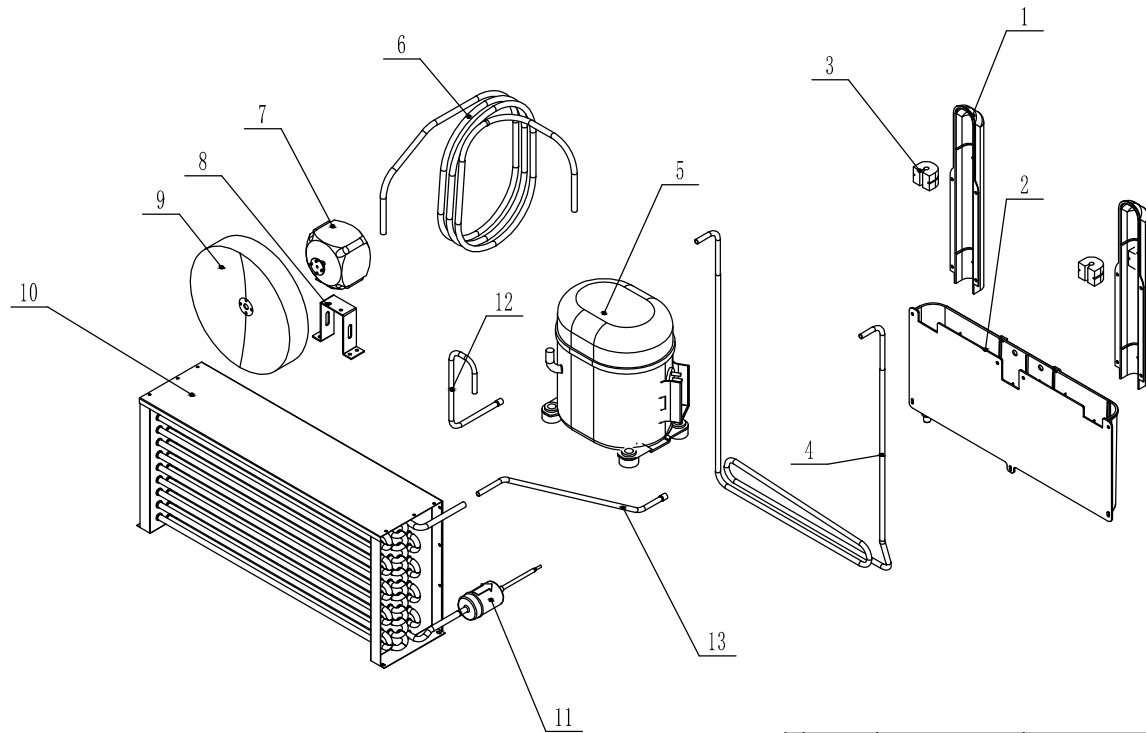
8	80031102	Mullion Front Cover	中梁前盖板	SUS430	1	
7	W0499089	Mullion Foam	竖中梁泡沫	EPS	1	
6	80031111	Mullion Back Cover	中梁后盖板	SUS430	1	
5	80021102	Mullion Front Cover	中梁前盖板	SUS430	1	
4	W04101990	Mullion Plastic Connector	竖中梁接口	PVC-H	4	
3	W0310126	Mullion Heater	中梁加热带		2	
2	W0499088	Mullion Foam	竖中梁泡沫	EPS	1	
1	80031110	Mullion Back Cover	中梁后盖板	SUS430	1	
材料	Material code	English Name	Chinese Name	MATERIAL	数量	Remark

80060412



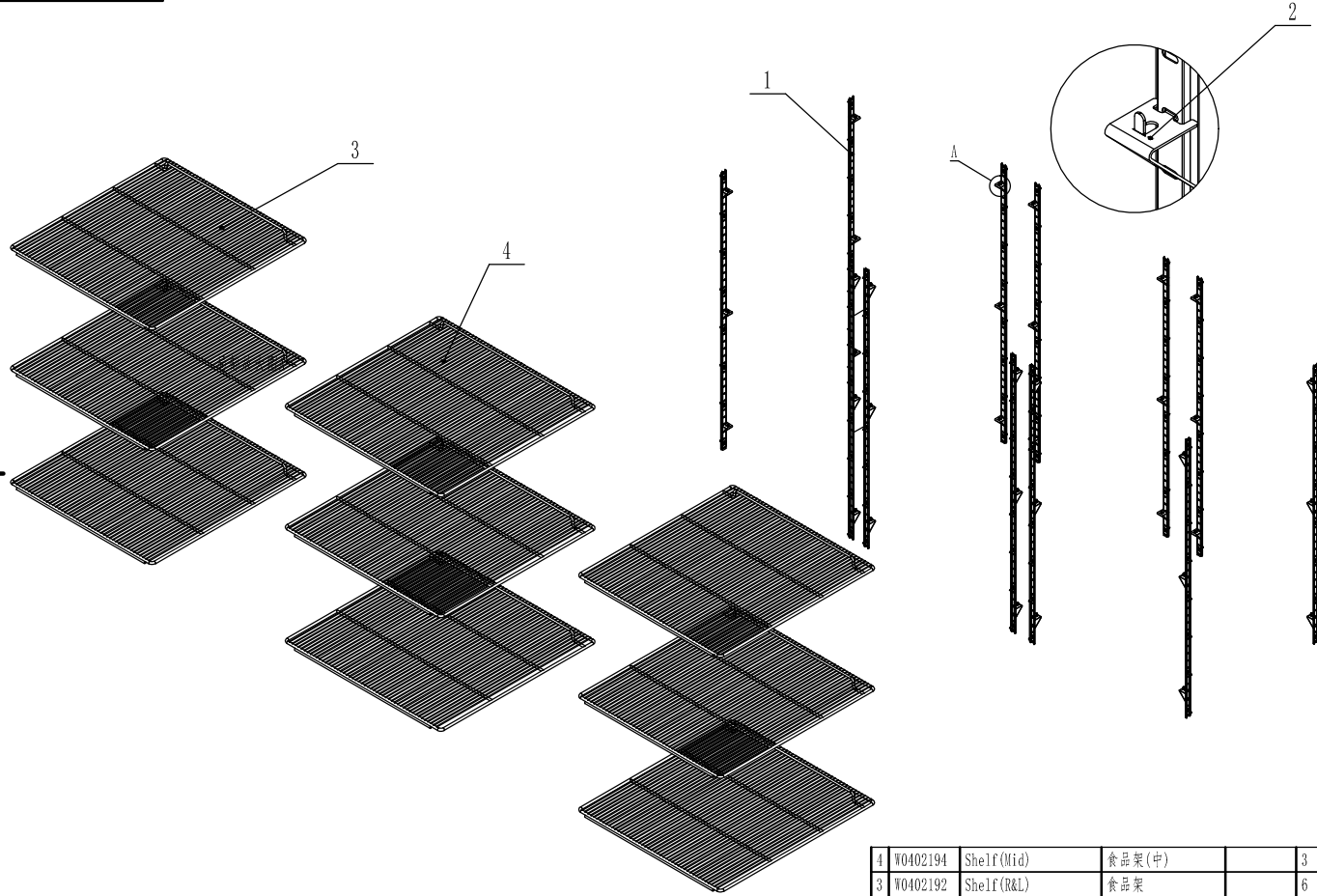
20	W0409863	Lamp Cover	灯罩	PC1302	1	
19	W0304512	Lamp Socket	灯座		1	
18	W0304508	Lamp	灯座		1	
17	W0409864	Evap Fan Motor Cover	蒸发风机罩	ABS	2	
16	80031202	Evap Front Cover	蒸发前盖板	SUS430	1	
15	W0301059	Evap Fan Blade	蒸发风叶	AL/φ172	2	
14	W0301904	Evap Fan Motor	蒸发风机		2	
13	80021501	Evap Fan Bracket	蒸发风机支架	SUS304	2	
12	W0302304	Room Temp Probe	感温探头		1	
11	80031201	Drain Pan Cover	蒸发后盖板	SUS430	1	
10	W0803013	Drain Pan Foam	接水盘泡沫	EPS	1	
9	W0409858	Drain Hose Connector	排水管连接器A	PA66	1	
8	80032001	Drain Pan	铝制接水盘	AL	1	
7	W0409859	Drain Hose Connector	排水管连接器B	PA66	1	
6	80021206	Evap Right Cover	蒸发右挡板	SUS430	1	
5	80021204	Right Air Lane Cover	蒸发空气右挡板	SUS430	1	
4	80021205	Middle Air Lane Cover	蒸发空气中挡板	SUS430	1	
3	80021203	Left Air Lane Cover	蒸发空气左挡板	SUS430	1	
2	80021206	Evap Left Cover	蒸发左挡板	SUS430	1	
1	W0202119	Evaporator	蒸发器	AL TP2-M	1	
料号	Material code	English Name	Chinese Name	MATERIAL	数量	Remark

80060413

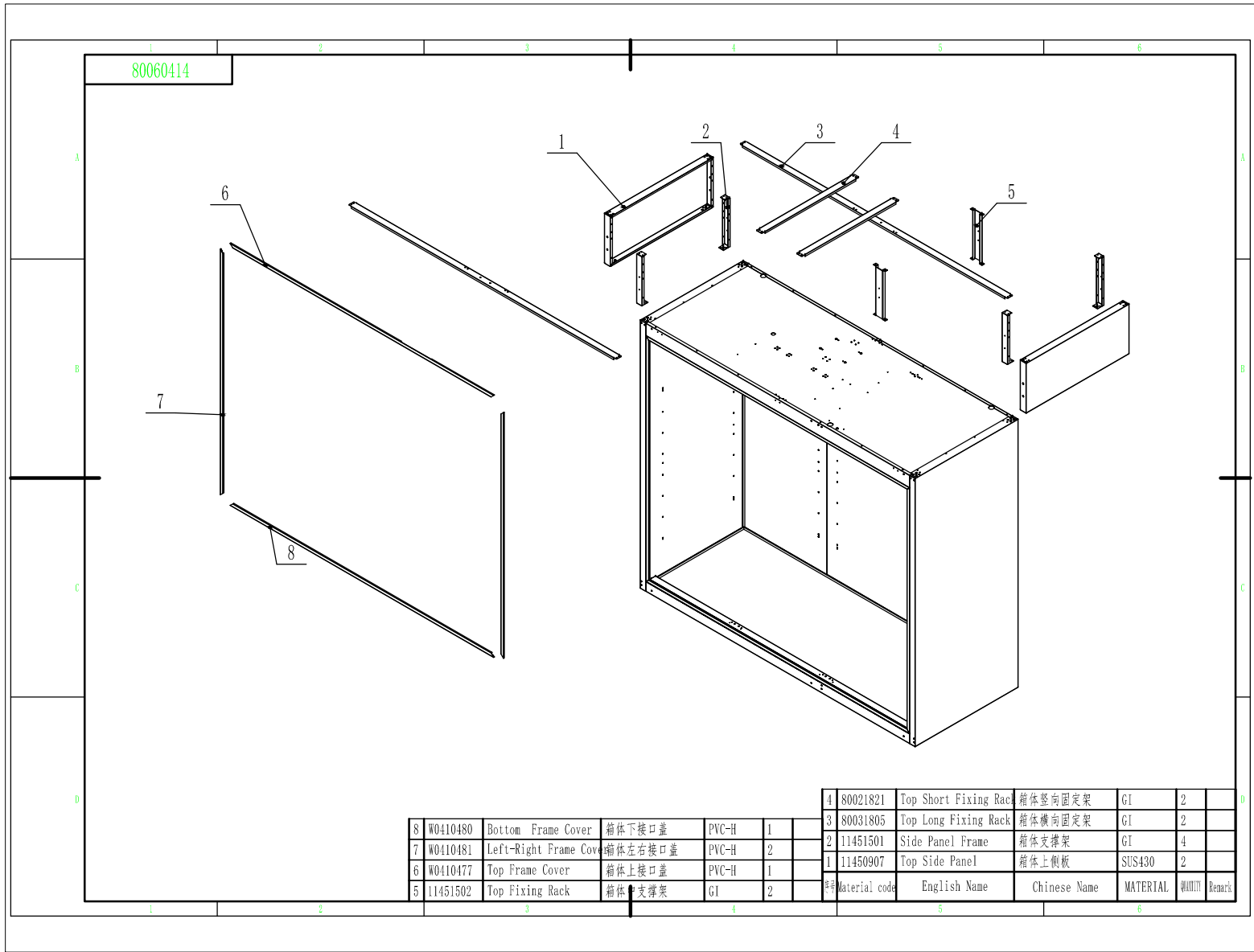


7	W0301905	Condenser Fan Motor	冷凝风机		1	
6	W0210363	Low Pressure Coil Back to Co	回气管(A)	TP2-M	1	
5	W0201612	Compressor	压缩机		1	
4	W0210060	High Pressure Coil	散热管	TP2-M	1	
3	W0413052	Rubber Fixing Block	散热管固定垫	RUBBER(橡胶)	2	
2	W0409849	Back High Pressure Coil	高压蒸发器包	PP	1	
1	W0409851	Back High Pressure Coil Co	蒸发器护罩	PP	2	
Material code		English Name	Chinese Name	MATERIAL	数量	Remark
13	W0210323	Connecting Coil to Conden	接管(散热管-冷凝器)	TP2-M	1	
12	W0210325	Connecting Coil From Compres	接管(压缩机与散热管)	TP2-M	1	
11	W0204003	Dry Filter	干燥过滤器		1	
10	W0203236	Condenser	冷凝器	G1 TP2-M	1	
9	W0301061	Condenser Fan Blade	冷凝风叶	AL/Φ230	1	
8	80031601	Condenser Fan Bracke	冷凝风机支架	G1	1	

80030415



4	W0402194	Shelf(Mid)	食品架(中)		3	
3	W0402192	Shelf(R&L)	食品架		6	
2	00542013	Shelf Clip	食品架搁脚	SUS430	36	
1	80037410	Pilastor For Shelf	食品架隔条	SUS430	12	
料号	Material code	English Name	Chinese Name	MATERIAL	数量	Remark



8	W0410480	Bottom Frame Cover	箱体下接口盖	PVC-H	1								
7	W0410481	Left-Right Frame Cover	箱体左右接口盖	PVC-H	2								
6	W0410477	Top Frame Cover	箱体上接口盖	PVC-H	1								
5	11451502	Top Fixing Rack	箱体支撑架	GI	2								
4	80021821	Top Short Fixing Rack	箱体竖向固定架	GI	2								
3	80031805	Top Long Fixing Rack	箱体横向固定架	GI	2								
2	11451501	Side Panel Frame	箱体支撑架	GI	4								
1	11450907	Top Side Panel	箱体上侧板	SUS430	2								
		Material code	English Name	Chinese Name	MATERIAL	数量	单位	材料	名称	中文名称	材料	数量	备注