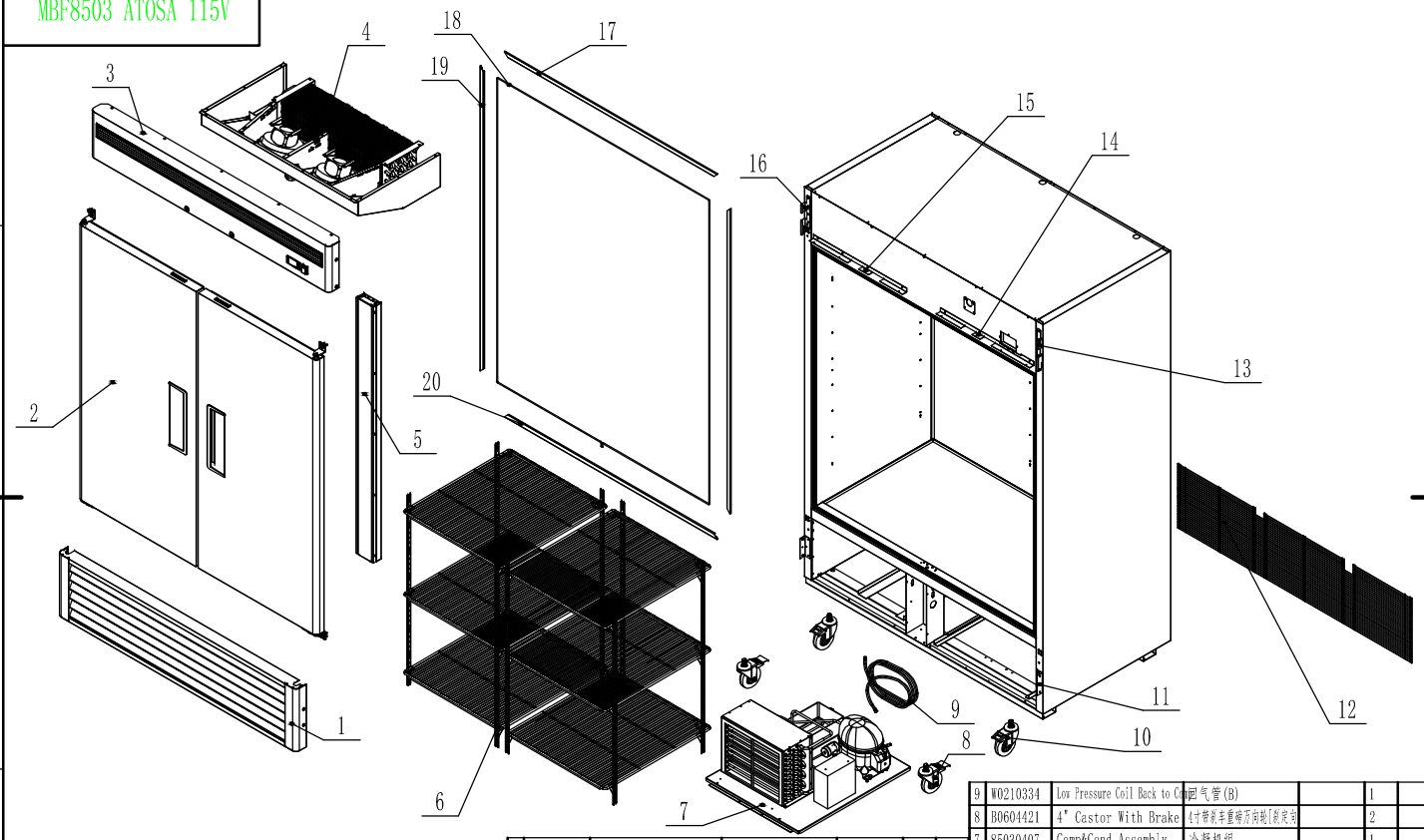


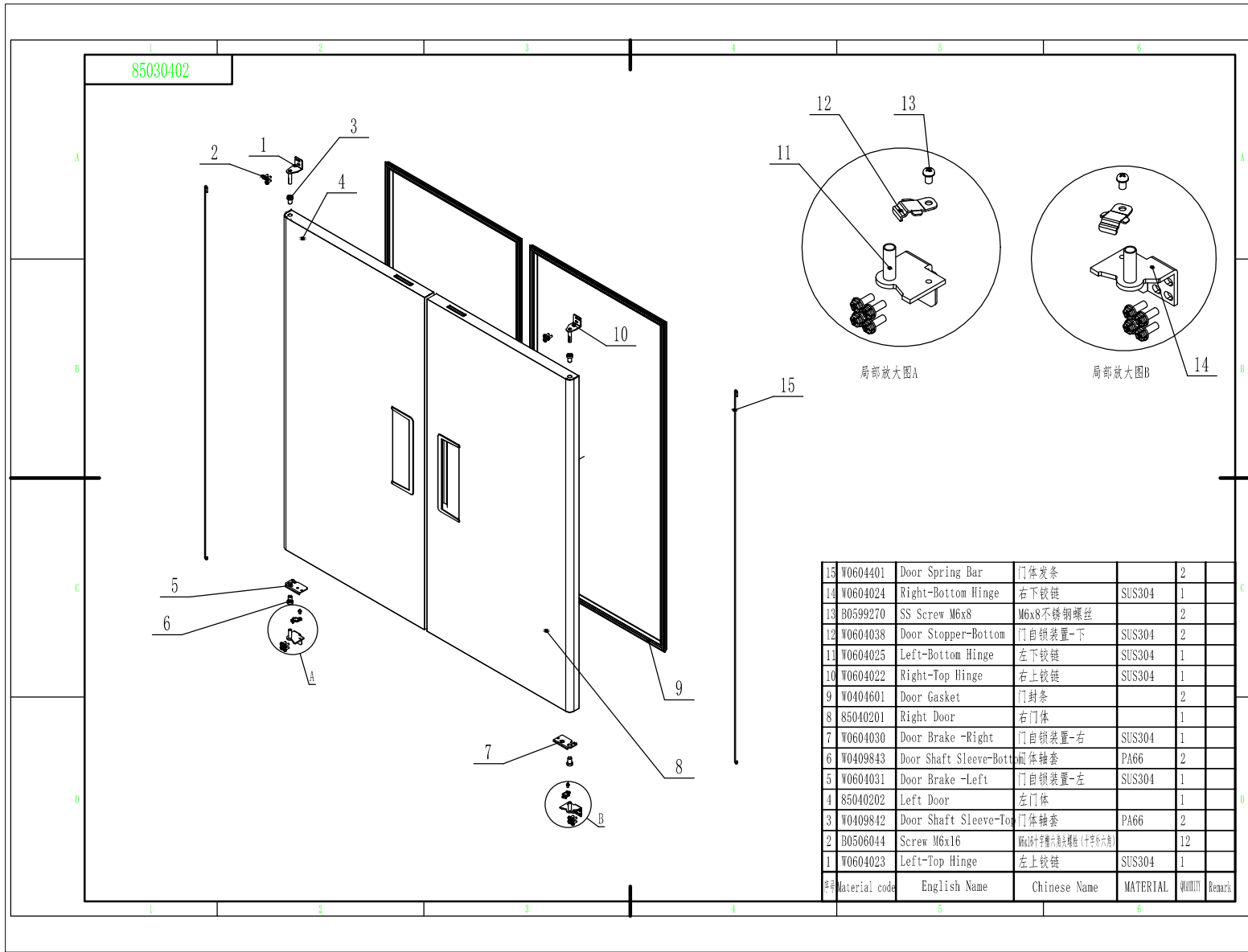
MBF8503 ATOSA 115V



20	W0410447	Bottom Frame Cover	箱体接口盖(下)	1			
19	W0410446	Left-Right Frame Cover	箱体接口盖(左)(右)	2			
18	W0310095	Cabinet Wire Heater	箱体加热带	1			

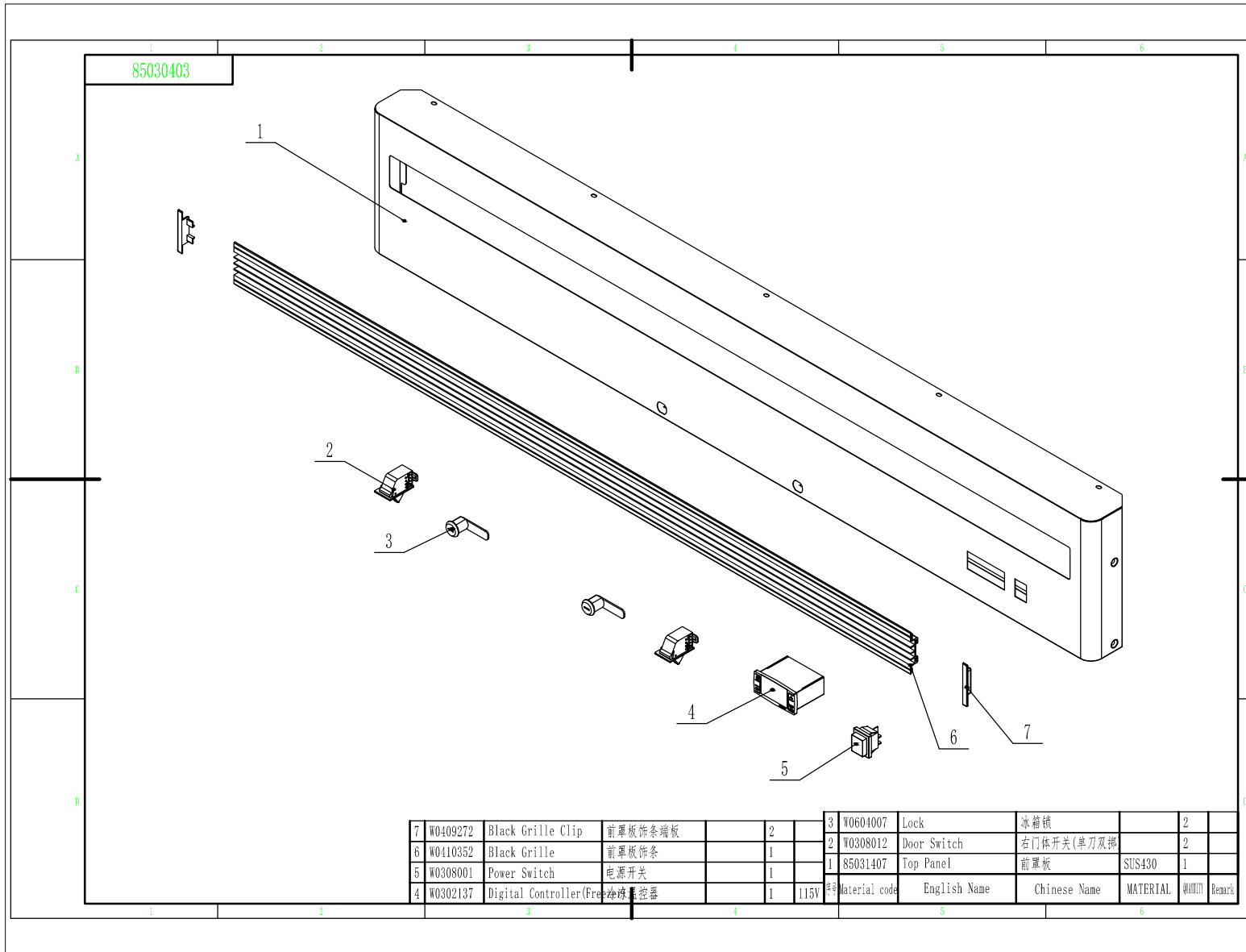
17	W0410448	Top Frame Cover	箱体接口盖(上)	1			
16	85041610	Left-top Fastener For Top Panel	搁置板(左)(上)固定件	1			
15	85041612	Left-Bottom Fastener For Top Panel	搁置板(左)(下)固定件	1			
14	85041611	Right-Bottom Fastener For Top Panel	搁置板(右)(下)固定件	1			
13	85041609	Right-top Fastener For Top Panel	搁置板(右)(上)固定件	1			
12	W0402634	Back Bottom Barrier	机械室保护网	1			
11	85041801	Fastener For Bottom Panel	下罩板固定件	2			
10	B0604413	4" Castor Without Brake	4吋重磅万向轮(脚轮)	2			

9	W0210334	Low Pressure Coil Back to Compressor	回气管(B)	1			
8	B0604421	4" Castor With Brake	4吋带刹车重磅万向轮(脚轮)	2			
7	85030407	Comp&Cond Assembly	冷藏机组	1			
6	85030406	Shelf Assembly	食品架组件	1			
5	85030405	Mullion Assembly	中梁组件	1			
4	85030404	Evaporator Assembly	蒸发器组件	1			
3	85030403	Top Panel Assembly	上罩罩组件	1			
2	85030402	Door Assembly	门体组件	1			
1	85030401	Bottom Panel	下罩罩组件	1			
	Material code	English Name	Chinese Name	MATERIAL	QTY	Remark	



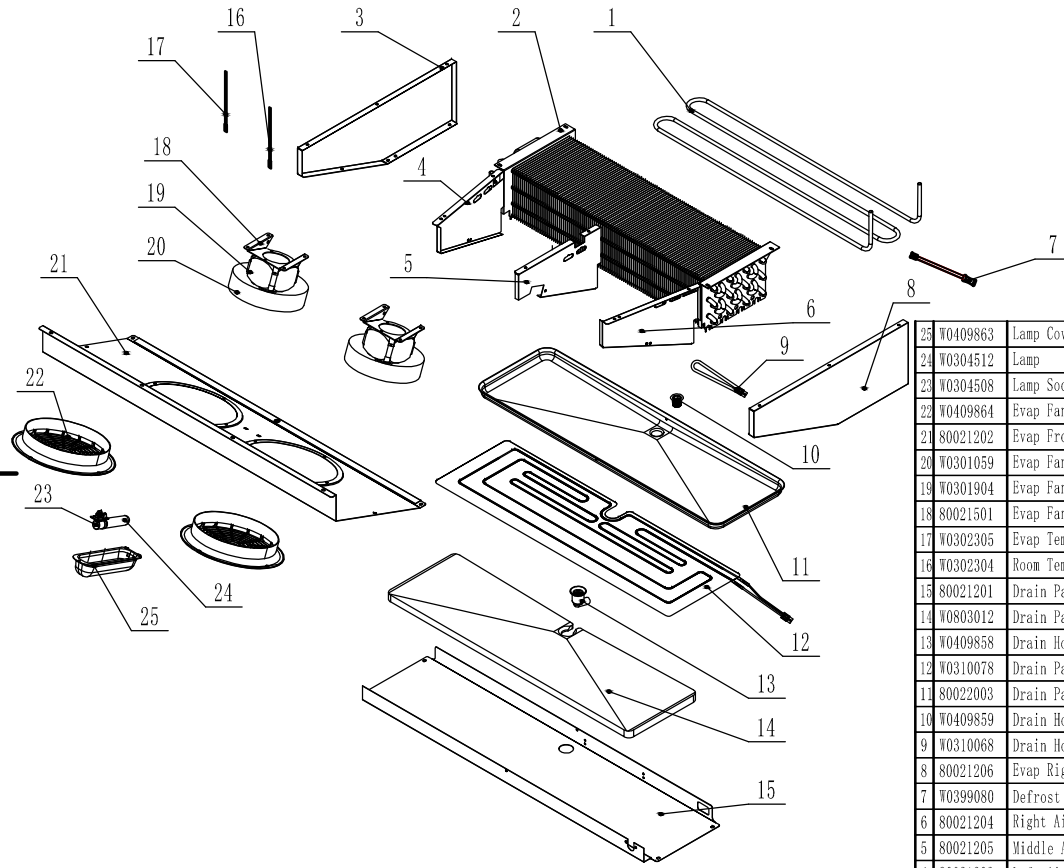
85030402

15	W0604401	Door Spring Bar	门体发条		2	
14	W0604024	Right-Bottom Hinge	右下铰链	SUS304	1	
13	B0599270	SS Screw M6x8	M6x8不锈钢螺丝		2	
12	W0604038	Door Stopper-Bottom	门自锁装置-下	SUS304	2	
11	W0604025	Left-Bottom Hinge	左下铰链	SUS304	1	
10	W0604022	Right-Top Hinge	右上铰链	SUS304	1	
9	W0404601	Door Gasket	门封条		2	
8	85040201	Right Door	右门体		1	
7	W0604030	Door Brake -Right	门自锁装置-右	SUS304	1	
6	W0409843	Door Shaft Sleeve-Bott	门体轴套	PA66	2	
5	W0604031	Door Brake -Left	门自锁装置-左	SUS304	1	
4	85040202	Left Door	左门体		1	
3	W0409842	Door Shaft Sleeve-Top	门体轴套	PA66	2	
2	B0506044	Screw M6x16	规格: 十字六角		12	
1	W0604023	Left-Top Hinge	左上铰链	SUS304	1	
材料	Material code	English Name	Chinese Name	MATERIAL	数量	Remark

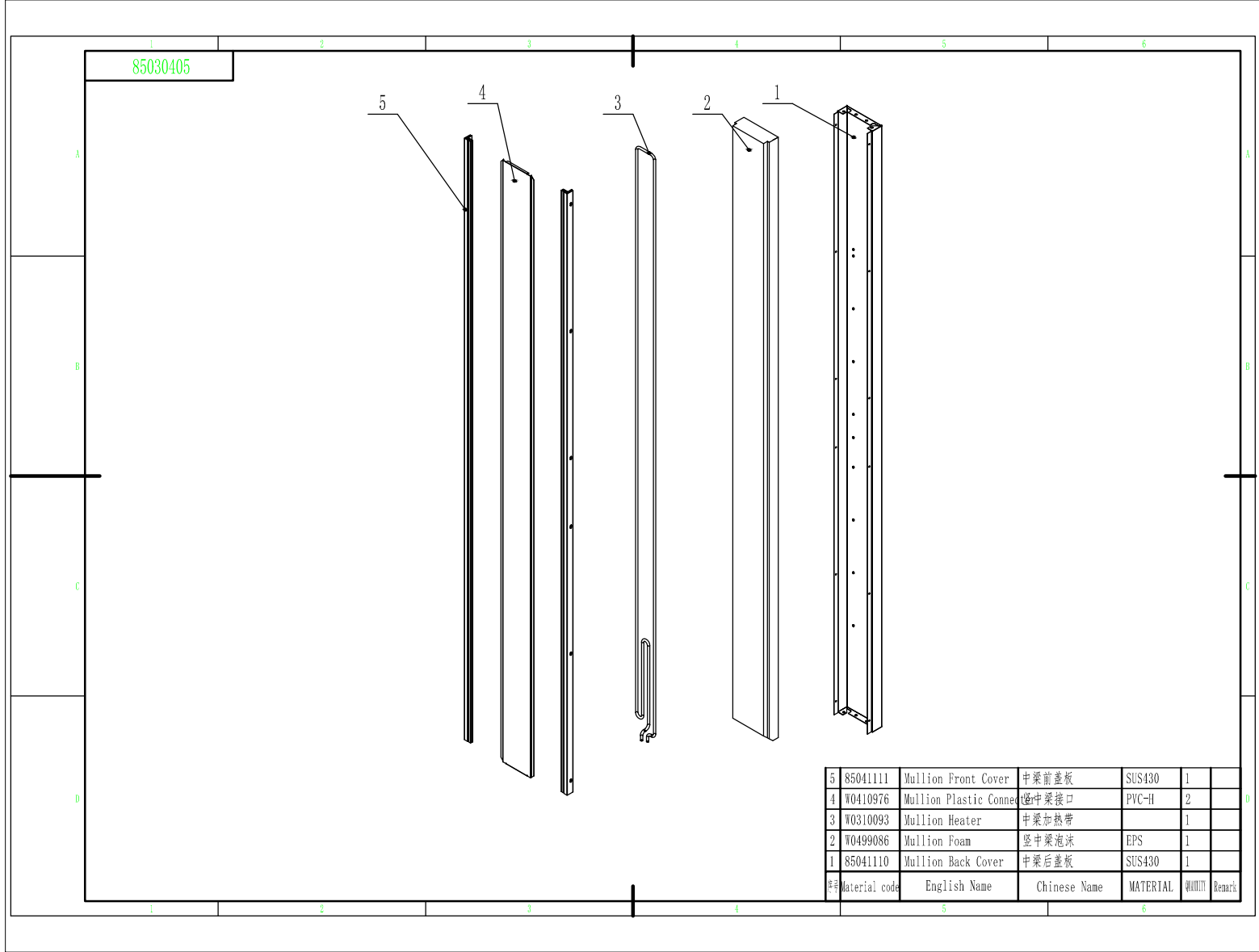


7	W0409272	Black Grille Clip	前罩板饰条端板		2									
6	W0410352	Black Grille	前罩板饰条		1									
5	W0308001	Power Switch	电源开关		1									
4	W0302137	Digital Controller(Fre	冷冻温控器		1	115V								
3	W0604007	Lock	冰箱锁		2									
2	W0308012	Door Switch	右门体开关(单刀双掷)		2									
1	85031407	Top Panel	前罩板		1					SUS430				
		Material code	English Name	Chinese Name	MATERIAL	数量	Remark							

85030404

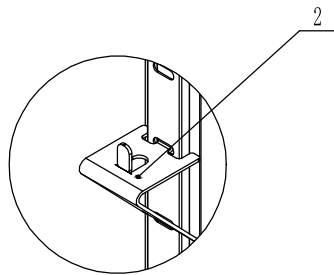


25	W0409863	Lamp Cover	灯罩	PC1302	1	
24	W0304512	Lamp	灯		1	
23	W0304508	Lamp Socket	灯座		1	
22	W0409864	Evap Fan Motor Cover	蒸发风机罩	ABS	2	
21	80021202	Evap Front Cover	蒸发前盖板	SUS430	1	
20	W0301059	Evap Fan Blade	蒸发风叶	AL/φ172	2	
19	W0301904	Evap Fan Motor	蒸发风机		2	
18	80021501	Evap Fan Bracket	蒸发风机支架	SUS304	2	
17	W0302305	Evap Temp Probe	化霜探头		1	
16	W0302304	Room Temp Probe	感温探头		1	
15	80021201	Drain Pan Cover	蒸发后盖板	SUS430	1	
14	W0803012	Drain Pan Foam	接水盘泡沫	EPS	1	
13	W0409858	Drain Hose Connector	排水管连接器A	PA66	1	
12	W0310078	Drain Pan Heater	接水盘加热带		1	
11	80022003	Drain Pan	铝制接水盘	AL	1	
10	W0409859	Drain Hose Connector	排水管连接器B	PA66	1	
9	W0310068	Drain Hose Heater	排水管加热带		1	
8	80021206	Evap Right Cover	蒸发右挡板	SUS430	1	
7	W0399080	Defrost Heater Fuse	化霜感温包(突跳式开关)		1	
6	80021204	Right Air Lane Cover	蒸发空气右挡板	SUS430	1	
5	80021205	Middle Air Lane Cover	蒸发空气中挡板	SUS430	1	
4	80021203	Left Air Lane Cover	蒸发空气左挡板	SUS430	1	
3	80021206	Evap Left Cover	蒸发左挡板	SUS430	1	
2	W0202111	Evaporator	蒸发器	AL TP2-M	1	
1	W0311039	Defrost Heater	化霜加热管		1	
料号	Material code	English Name	Chinese Name	MATERIAL	数量	Remark

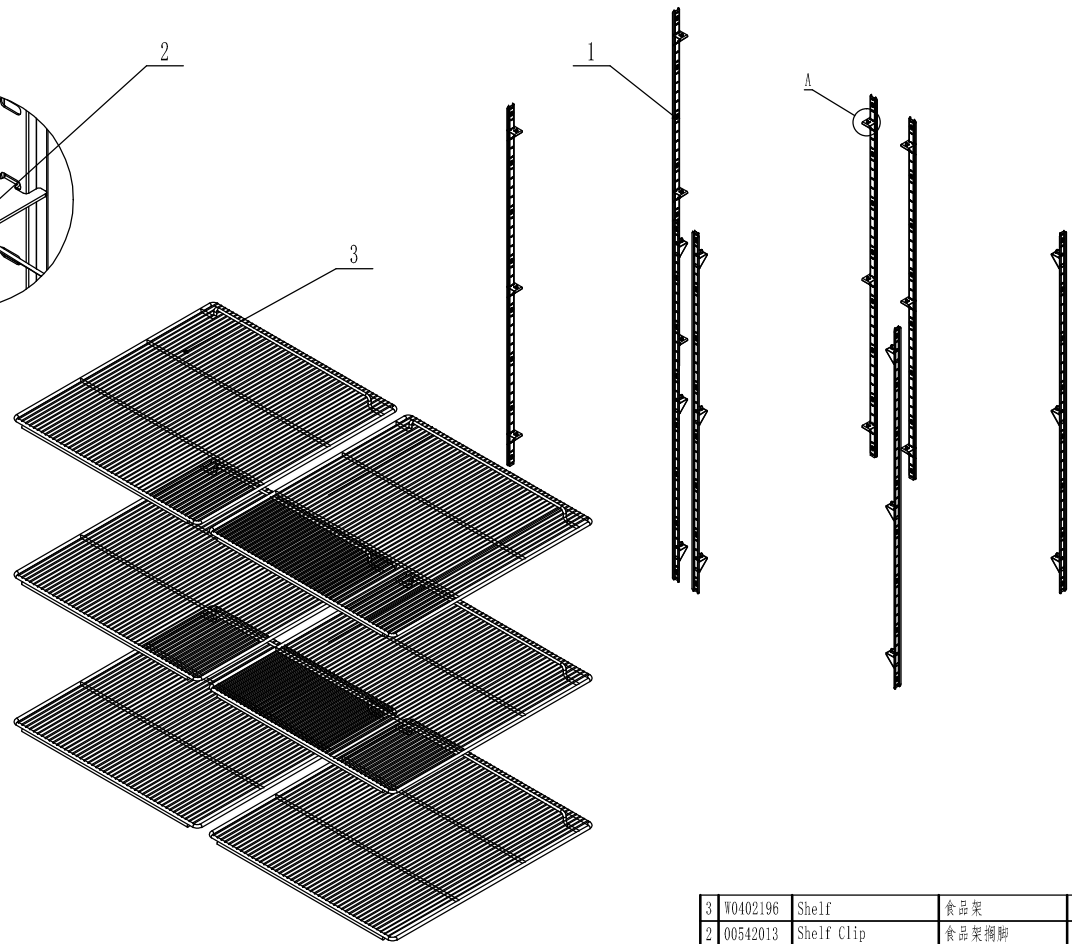


5	85041111	Mullion Front Cover	中梁前盖板	SUS430	1	
4	W0410976	Mullion Plastic Connector	竖中梁接口	PVC-H	2	
3	W0310093	Mullion Heater	中梁加热带		1	
2	W0499086	Mullion Foam	竖中梁泡沫	EPS	1	
1	85041110	Mullion Back Cover	中梁后盖板	SUS430	1	
材料	Material code	English Name	Chinese Name	MATERIAL	数量	Remark

85030406

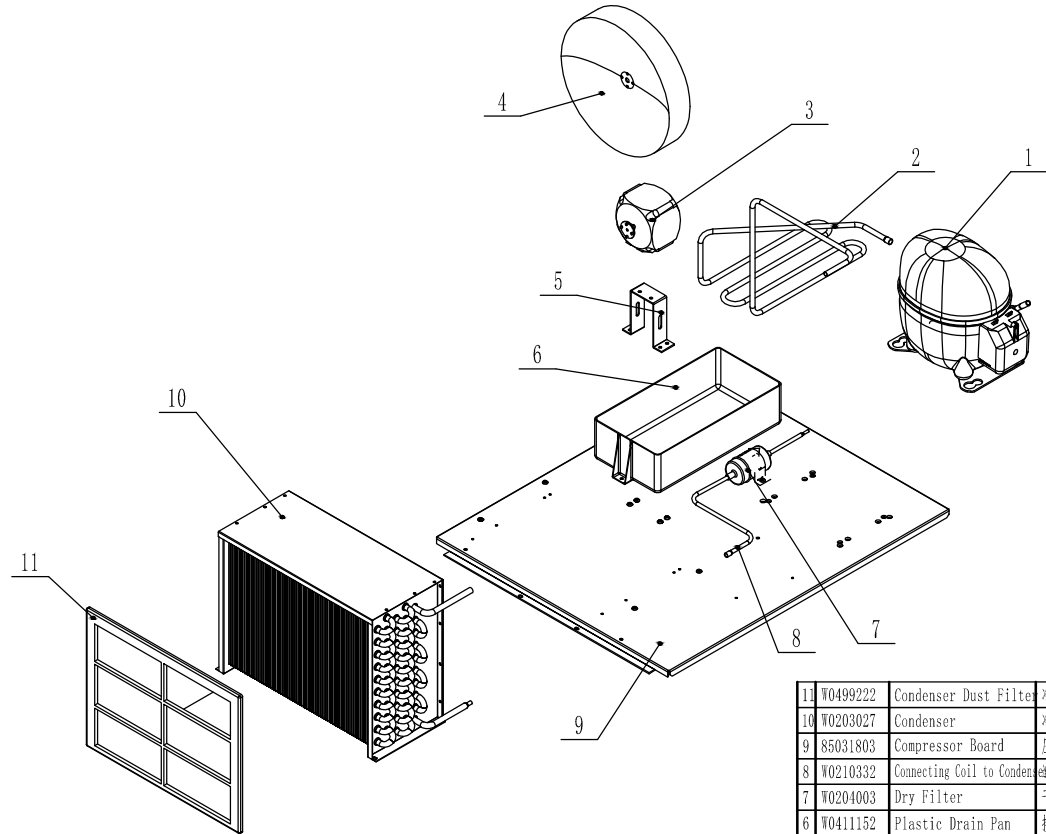


局部放大图A



3	W0402196	Shelf	食品架		6	
2	00542013	Shelf Clip	食品架搁脚	SUS430	24	
1	80037410	Pilaster For Shelf	食品架隔条	SUS430	8	
料号	Material code	English Name	Chinese Name	MATERIAL	数量	Remark

85030407



11	W0499222	Condenser Dust Filter	冷凝器防尘罩		1	
10	W0203027	Condenser	冷凝器	GI TP2-M	1	
9	85031803	Compressor Board	压缩机底板	GI	1	
8	W0210332	Connecting Coil to Condenser	连接管(冷凝器-干燥过滤器)	TP2-M	1	
7	W0204003	Dry Filter	干燥过滤器		1	
6	W0411152	Plastic Drain Pan	接水盘	ABS	1	
5	80031601	Condenser Fan Blade	冷凝风机支架	GI	1	
4	W0301056	Condenser Fan Bracket	冷凝风叶	AL/φ250	1	
3	W0301905	Condenser Fan Motor	冷凝风机		1	
2	W0210333	High Pressure Coil	散热管	TP2-M	1	
1	W0201827	Compressor	压缩机		1	
材料	Material code	English Name	Chinese Name	MATERIAL	数量	Remark